

TRANSISTOR BASES - BOTTOM VIEW

sym	FUNCTION	ELEC. PART No.	U/E DEC HOUSE No.	type	sym	FUNCTION	ELEC. PART No.	U/E DEC HOUSE No.	type
Q101	VIDEO PREAMP	14-802-12	T1S 98	A	IC301	HORIZ DELAY	14-2029-01	MC 3486	
Q102	VIDEO OUTPUT	14-904-12	MPS U10	F					
Q201	VERT PREAMP	14-802-12	T1S 98	A	D201	VERT BIAS	14-514-14	IN914	
Q202	VERT & TRIGGER	14-802-12	T1S 98	A	D301	FOCUS RECTIFIER	14-514-23	BY184	
Q203	MILLER INTEGRATOR	14-808-12	T1S 101	A	D302	FLYBACK DAMPER	28-22-25	DO1	
Q204	MILLER INTEGRATOR	14-822-12	T1S 97	A	D303	EMT RECTIFIER	28-42-01	1N802	
Q205	DIFFERENTIAL AMP	14-811-32	SPS 5449	B	D304	B-FOCUS SUPPLY	28-22-27	1N5081	
Q206	DIFFERENTIAL AMP	14-802-12	T1S 98	A	D401	B+ POWER SUPPLY	28-22-27	1N5081	
Q207	VERT DRIVER	14-861-12	S 24815	A	D402	B+ POWER SUPPLY	28-22-27	1N5081	
Q208	VERT DRIVER	14-861-12	S 24815	A	D404	B+ POWER SUPPLY	28-22-27	1N5081	
Q209	VERT OUTPUT	14-601-23	SJ 5481	E					
Q210	VERT OUTPUT	14-601-23	SJ 5481	E	ZD101	82V HOLD DOWN ZEN.	14-515-54	D5M8252	
Q301	TRIGGER AMP	14-802-12	T1S 98	A	ZD201	82V ZENER B+	14-515-56	1N5234B	
Q302	HORIZ DRIVER	14-904-12	MPSU10	F	ZD301	25V SPOT KILL ZEN.	14-515-36	1N5809B	D
Q303	HORIZ OUTPUT	14-601-36	25C1413	E					
Q401	REGULATOR	14-601-28	2N5240	E	ZD402	5.1V REF. ZENER	14-515-44	1N751A	
Q402	PRE-REGULATOR	14-823-32	2N5400	B	ZD403	10V REF. ZENER	14-515-45	1N4740A	
Q403	REG. DRIVER	14-904-12	MPSU10	F					
Q404	ERROR AMP	14-904-12	MPSU10	F					
Q405	CURRENT LIMITER	14-802-12	T1S 98	A					

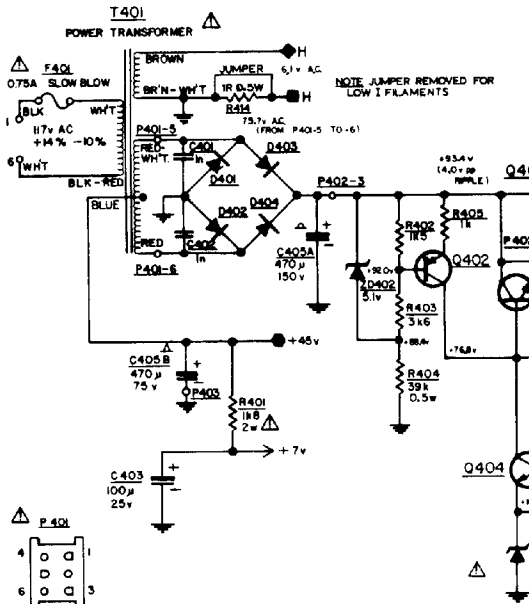
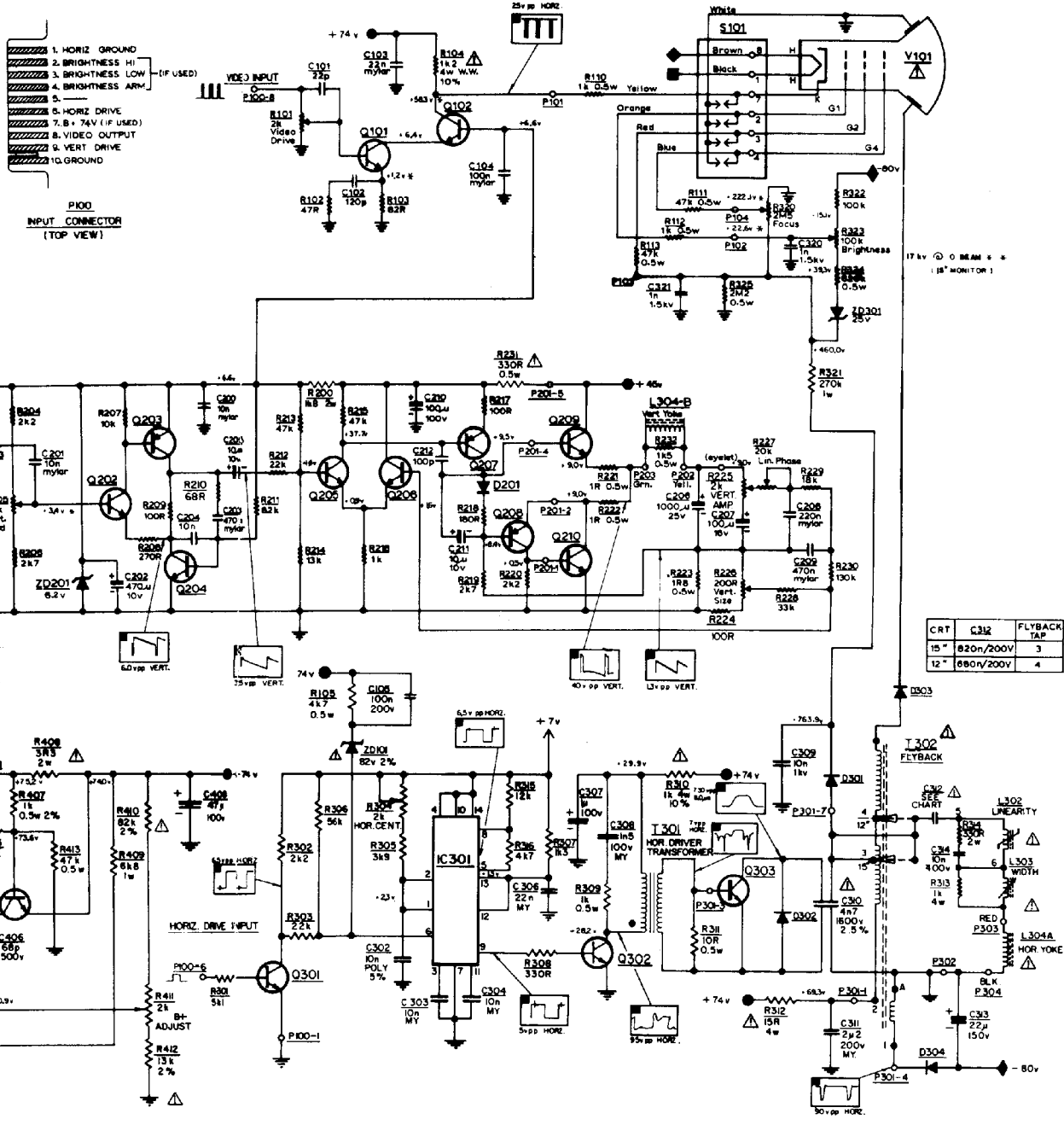
RESISTORS - RESISTANCE IN OHMS, K (KILOHMS), OR M (MEG OHMS)
 1/4 WATT, 5% TOLERANCE UNLESS OTHERWISE NOTED.
 CAPACITORS - CAPACITY IN p (PICOFARADS), n (NANOFARADS), OR
 μ (MICROFARADS) D.C.W.V. AND TOLERANCE
 NOTED WHERE CRITICAL.

CAUTION FOR CONTINUED SAFETY REPLACE COMPONENTS
 INDICATED BY Δ WITH EXACT REPLACEMENT PARTS ONLY.
 CONSULT SERVICE MANUAL PARTS LIST SECTION
 SAFETY COMPONENTS

* DEPENDS ON CONTROL SETTINGS
 AND/OR SIGNAL CONDITION

00-19007-01 Issue 2

V17 SCHEMATIC



ELECTROHOME

ELECTROHOME REPLACEMENT PARTS LIST

CHASSIS ASSEMBLY (02-210233-03)*

SYMBOL	DESCRIPTION	PART NO.
Q 209	Vertical Output Transistor, SJ5461	14-601-23
Q 210	Vertical Output Transistor, SJ5461	14-601-23
Q 303	Horizontal Output Transistor, 2SC1413	14-601-36
Q 401	Regulator Power Transistor 2N5840 select.	14-601-26
D 302	Damper Diode, DG1	28-22-25
D 303	HV Rectifier 30KV, H1802	28-42-01
F 401	75A 125V Fuse	27-5-28
L 101	10MH Coil	21-1400-06
L 302	Linearity Coil	21-1428-01
L 303	Width Coil	21-1427-01
L 304	Deflection Yoke	21-244-01
T 302	Flyback Transformer	21-243-01
T 401	Power Transformer	24-10197-03
SW 401	Line Switch	26-230-01
	Heat-shrinkable Sleeveing, .187 ID	20-300013-04
	Heat-shrinkable Sleeveing, .750 ID	20-300013-08
	Cable Tie	33-523-01
	Clip - PCB Support	33-629-01
	Fuse Holder	34-198-01
	CRT Socket	34-213-11
TS1, 2	Terminal Strip, Fire Retardant	34-491-03
	Transistor Socket	34-515-03
P 201	Connector Housing	34-549-05
P 402	Connector Housing	34-549-06
P 301	Connector Housing	34-549-07
	Crimp Terminal	34-550-01
	Anode connector with spring	34-678-01
P 401	Power connector housing	34-677-06
	Pin Terminal	34-676-21
	Transistor Cover	39-1151-01
C 405	Electrolytic 470, 470 uF/150, 75v	44-202-37
C 314	10 NF 400v capacitor	48-121034-01
C 312	820 NF 200v capacitor	49-19-26

* Not a replacement or stock item

MONITOR PCB ASSEMBLY

SYMBOL	DESCRIPTION	PART NO.
D 201	Signal Diode, 1N914	14-514-14
D 301	Signal Diode, 1800 Piv, BY 184	14-514-23
D 304, 401, 402, 403, 404	Rectifier 1A 600v, 1N5061	28-22-27
ZD 101	82v 2% Zener Diode, 0.5M82ZS2	14-515-64
ZD 201	6.2v Zener Diode, 1N5234B	14-515-66
ZD 301	25v 5% Zener Diode, 1N5869B	14-515-36
ZD 402	5.1v 5% Zener Diode, 1N751A	14-515-44
ZD 403	10v 5% Zener Diode, 1N4740A	14-515-45
Q 101	Small Signal Transistor, MPS 6514	14-800-32
Q 201, 202, 206, 301 405	Small Signal Transistor, T1S98	14-802-12
Q 203	Small Signal Transistor, T1S101	14-808-12
Q 205	Small Signal Transistor, SPS5449	14-811-32
Q 204	Small Signal Transistor, T1S97	14-822-12
Q 402	Small Signal Transistor, 2N5400	14-823-32
Q 207, 208	Small Signal Transistor, S24615	14-861-12
Q 102, 302, 403, 404	Plastic Power Transistor, MPSU10	14-904-12
IC 301	Double one-shot IC, MC3456	14-2029-01
T 301	Horizontal Buffer Transformer	24-170001-04
R 304	Cermet Trim Pot 2K	41-328-01
R 226	Carbon Trim Pot 200R	41-299-16
R 205, 225, 411	Carbon Trim Pot 2K	41-299-12
R 227	Carbon Trim Pot 20K	41-299-01
R 320, 323	Carbon Trim Pot 2M5	41-299-07
R 408	Critical Safety Resistor, 3R3 5% 2W	42-63-54
R 312	15R 4W 10% Resistor	42-111501-03
R 310	1K 4W 10% Resistor	42-111021-03
R 104	1K2 4W 10% Resistor	42-111221-03
C 307	1uF 100v Electrolytic	44-310508-01
C 205, 211	10 uF 10v Electrolytic	44-310002-01
C 313	22 uF 150v Electrolytic	44-322009-05

SYMBOL	DESCRIPTION	PART NO.
C 408	47 uF 100v Electrolytic	44-347008-08
C 403	100 uF 25v Electrolytic	44-310104-04
C 207	100 uF 16v Electrolytic	44-310103-12
C 210	100 uF 100v Electrolytic	44-310108-06
C 202	470 uF 10V Electrolytic	44-347102-04
C 206	1000 uF 25v Electrolytic	44-310204-10
C 212	100 pF 25p 10% 50v Capacitor	46-310113-51
C 102	120pF 5% Mica Capacitor	47-41215-05
C 204	10NF 10% Polypropelene Capacitor	48-131031-11
C 406	68pF 10% 500v Capacitor	46-368013-02
C 401, 402	1NF 10% 25P 500v Capacitor	46-310213-06
C 320, 321	1NF 20% 25V 1500v Capacitor	46-510228-74
C 309	10NF 1Kv Capacitor	46-510311-37
C 308	1.5NF 100v Mylar Capacitor	48-171521-22
C 200, 303, 304, 201	10NF 10% 200v Mylar Capacitor	48-171032-22
C 103, 306	22NF 10% 200v Mylar Capacitor	48-172232-22
C 104, 105	100NF 10% 200v Mylar Capacitor	48-171042-22
C 208	220NF 10% 200v Mylar Capacitor	48-172242-22
C 203, 209	470NF 10% 200v Mylar Capacitor	48-174742-22
C 311	2.2 uF 20% 200v Mylar Capacitor	48-172252-51
C 302	10NF 5% Polypropelene Capacitor	48-181032-04
	Monitor P.C.B. (less components)	50-1568-01

SAFETY COMPONENTS

For continued reliability and safety, the following components should be replaced with Electrohome parts:

V 101	Picture tube, 15"	17-6152-03 or-04
R 104	1K2 4W Wirewound Resistor	42-111221-03
ZD 101	82v 2% Zener Diode	14-515-64
R 231	330R .5W 5% Carbon Comp. Res.	40-223315-13
R 310	1K 4W Wirewound Resistor	42-111021-03
R 312	15R 4W Wirewound Resistor	42-111501-03
C 310	4N7 1600v Critical Safety Cap.	49-24-06
T 302	Flyback Transformer	21-243-01
L 304	Deflection Yoke	21-244-01
F 401	.75A 125v slow-blow Fuse	27-5-28
T 401	Power Transformer	24-10197-03
SW 401	Line Switch	26-230-01
R 401	1K8 2W 5% Resistor	40-621825-01
R 408	3R3 2W 5% Resistor	42-63-54

All safety components are marked with  on the schematic.