

Table of Contents

Table of Contents	Sheet 1A
Arabian Main Wiring Diagram (040285-01 A)	Sheet 1B
Arabian Regulator/Audio II PCB Schematic Diagram (035435-02 F), Color Raster Power Supply Wiring Diagram (037669-01 E)	Sheet 2A
Arabian Coin Door Wiring Diagram (A037542-01 E), Utility Panel Wiring Diagram (A038004-01 F), Fluorescent Light Wiring Diagram (035833-01 A)	Sheet 2B

Display Schematics, Sheets 3A-4B

Atari Color Raster Display Wiring Diagram (200002-01 C)	Sheet 3A
Atari Color Raster Display Deflection PCB Schematic Diagram (2010222-01 C)	Sheet 3B
Atari Color Raster Display Neck PCB Schematic Diagram (201020-01 B)	Sheet 4A
Matsushita Color Raster Display Schematic Diagram	Sheet 4B

Arabian Memory Map	Sheet 5A
Arabian Block Diagram and Guide to PCB Schematics	Sheet 5B

Game PCB Schematics, Sheets 6A-11B

Arabian Game Microprocessor, Game Power Input, Watchdog Enable	Sheet 6A
Arabian Address Decoders, Program ROM	Sheet 6B
Arabian Custom I/O Microprocessor RAM, RAM Control, Read/Write	Sheet 7A
Arabian Input Bus Driver, Custom I/O Microprocessor	Sheet 7B
Arabian Coin and Dip Switch Inputs, Sound Microprocessor	Sheet 8A
Arabian Clock, Sync Chain, and Timing Signals	Sheet 8B
Arabian Row/Column Address Select, Dynamic RAM Write Enable, Enable Logic Control	Sheet 9A
Arabian Dynamic RAM Flip Address Decoders, Dynamic RAM Address Decoders, Dynamic RAM Address Multiplexers	Sheet 9B
Arabian DMA Control	Sheet 10A
Arabian Picture ROM Address Decoder, Picture ROM, Dynamic RAM Data Selector	Sheet 10B
Arabian Red/Shade and Green/Blue Playfield RAM, Red/Shade and Green/Blue Motion Object RAM	Sheet 11A
Arabian Video Output Decoders, Video Output	Sheet 11B
Arabian EMI Shield PCB Schematic Diagram	Sheet 12A

NOTE

An Arabian Troubleshooting Guide is included as part of this Schematic Package Supplement. The Arabian Troubleshooting Guide contains Atari CAT Box[®] troubleshooting procedures and signal name descriptions.



NOTE
Remove this staple to separate
the schematic diagrams from
the Troubleshooting Guide.

Schematic Package Supplement to

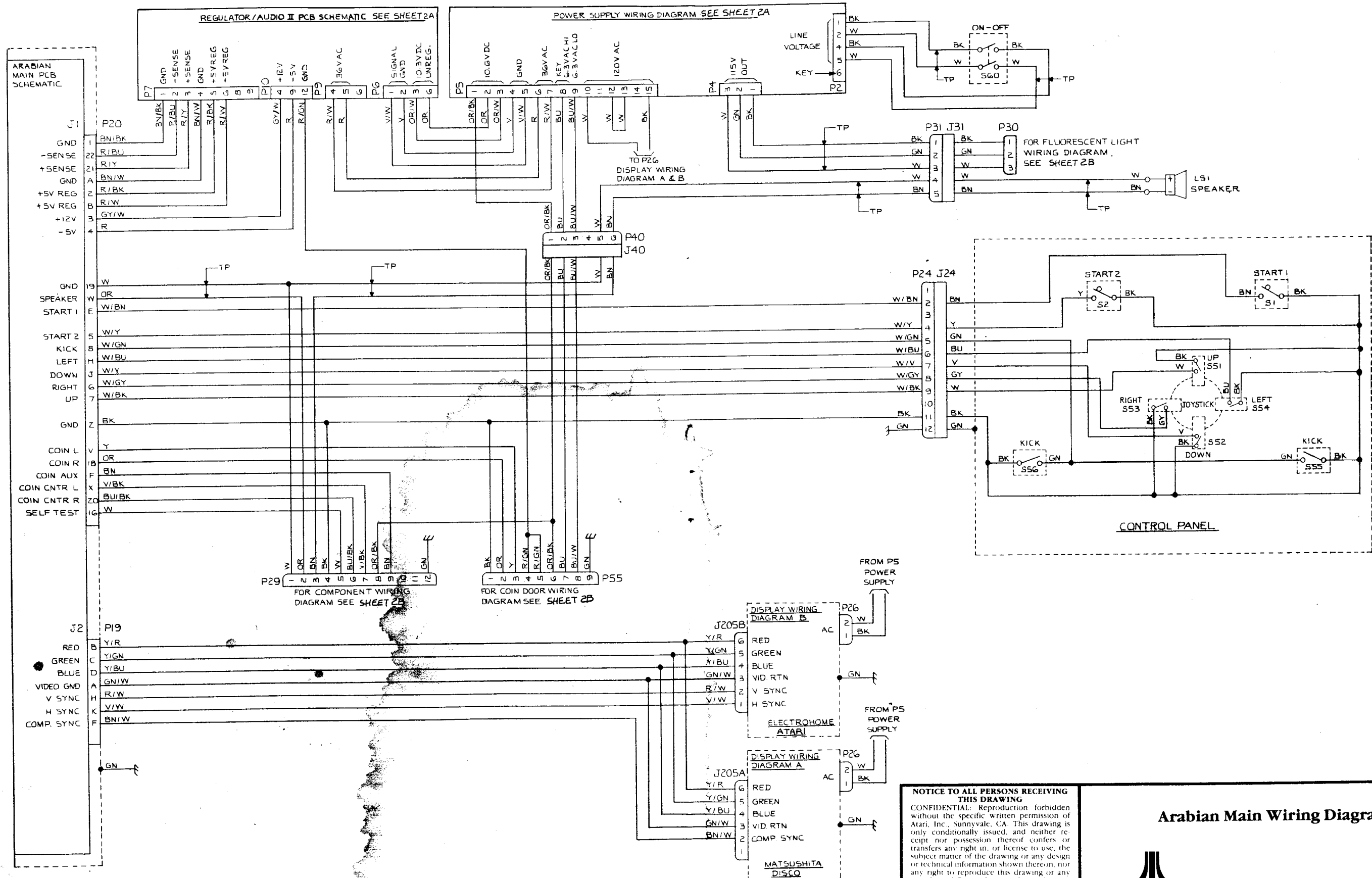
ARABIANTM

Operators Manual

Includes
Troubleshooting Guide

*Manufactured under license from Sun Electronics Corporation.

ATM

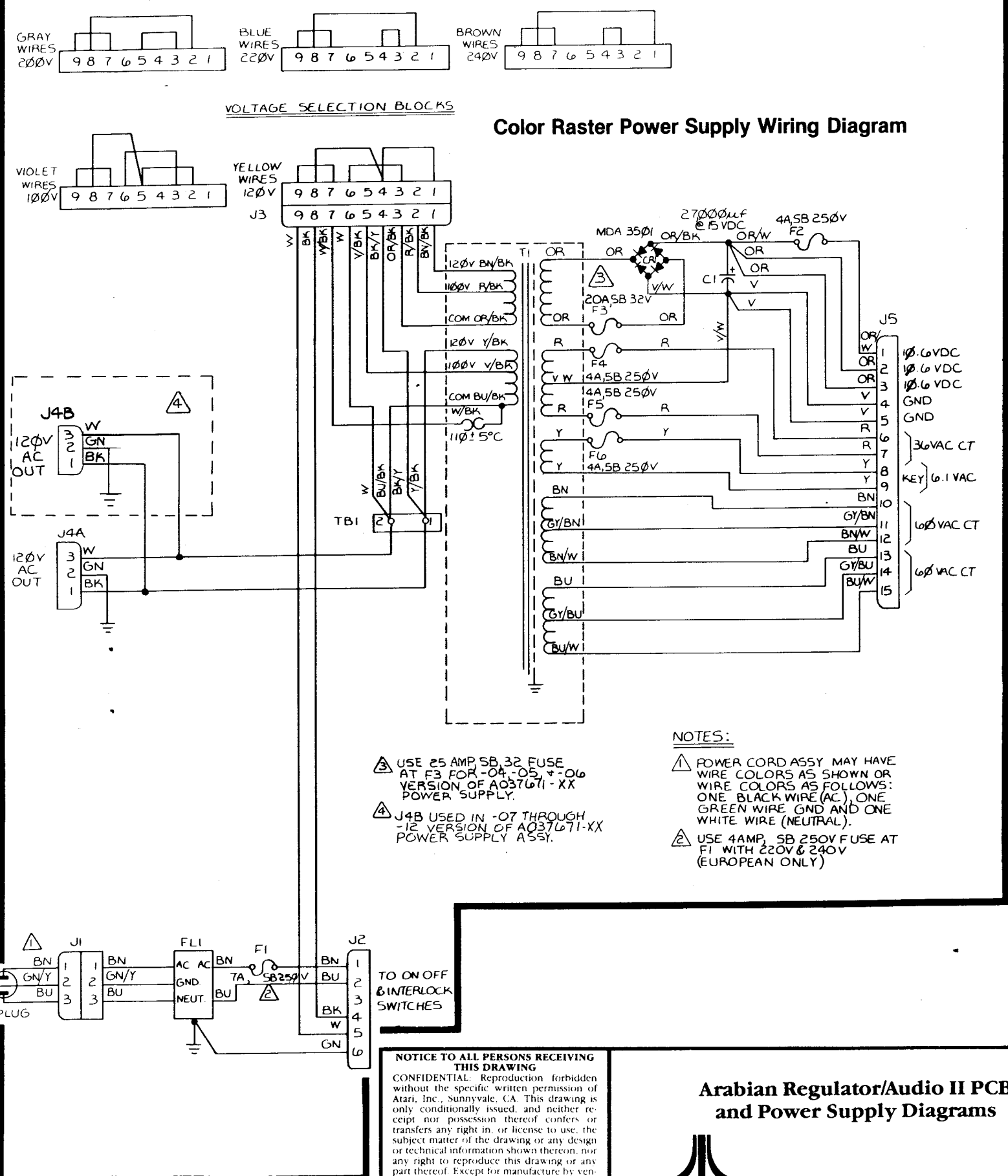
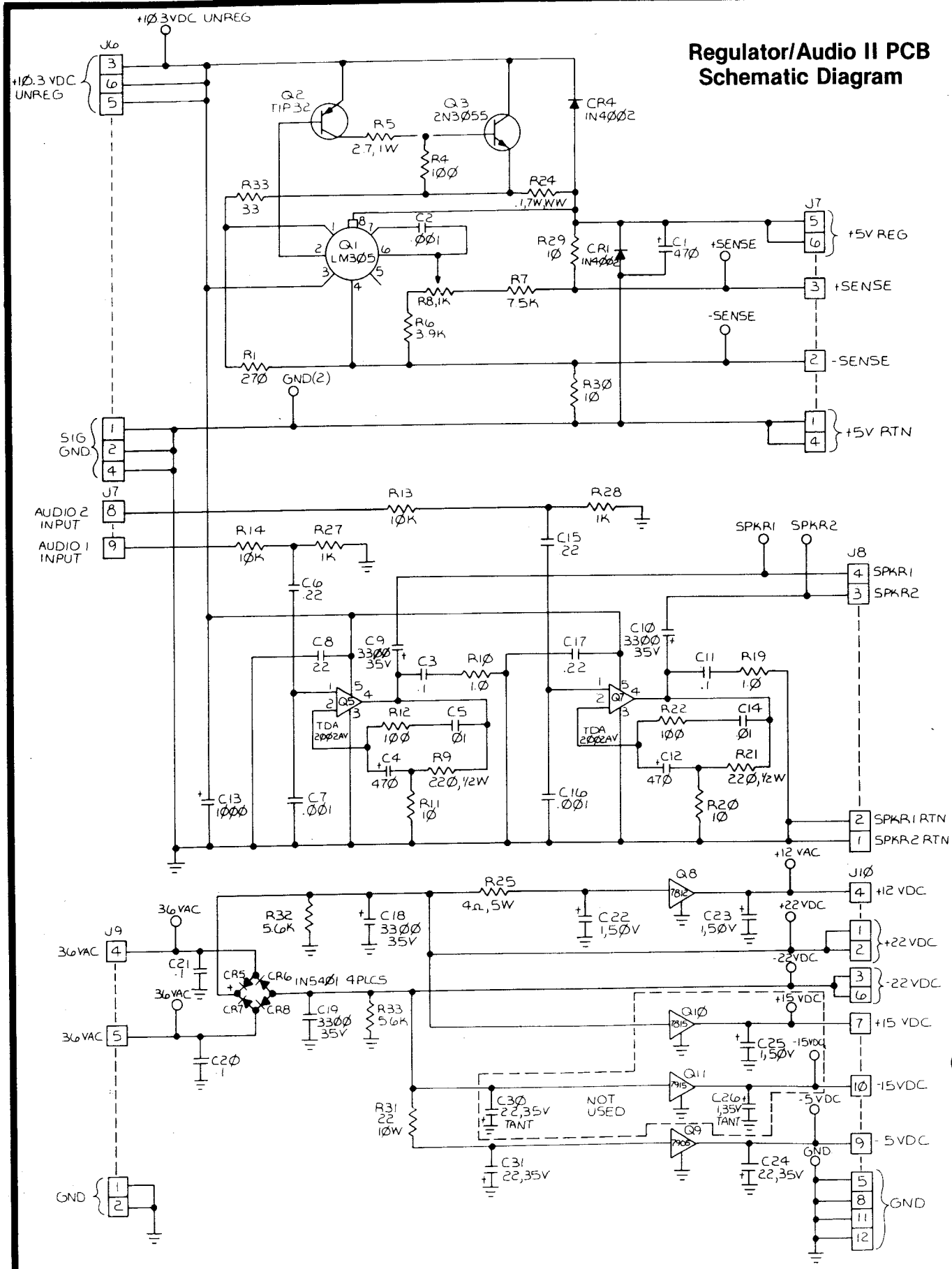


NOTICE TO ALL PERSONS RECEIVING THIS DRAWING
 CONFIDENTIAL: Reproduction forbidden without the specific written permission of Atari, Inc., Sunnyvale, CA. This drawing is only conditionally issued, and neither receipt nor possession thereof confers or transfers any right in, or license to use, the subject matter of the drawing or any design or technical information shown thereon, nor any right to reproduce this drawing or any part thereof. Except for manufacture by vendors of Atari, Inc., and for manufacture under the corporation's written license, no right is granted to reproduce this drawing or the subject matter thereof, unless by written agreement with or written permission from the corporation.

Arabian Main Wiring Diagram

ATARI
© ATARI INC. 1983

SP-237 Sheet 1B
 1st printing



NOTICE TO ALL PERSONS RECEIVING THIS DRAWING
 CONFIDENTIAL: Reproduction forbidden without the specific written permission of Atari, Inc., Sunnyvale, CA. This drawing is only conditionally issued, and neither receipt nor possession thereof confers or transfers any right in, or license to use, the subject matter of the drawing or any design or technical information shown thereon, nor any right to reproduce this drawing or any part thereof. Except for manufacture by vendors of Atari, Inc., and for manufacture under the corporation's written license no right is granted to reproduce this drawing or the subject matter thereof unless by written agreement with or written permission from the corporation.

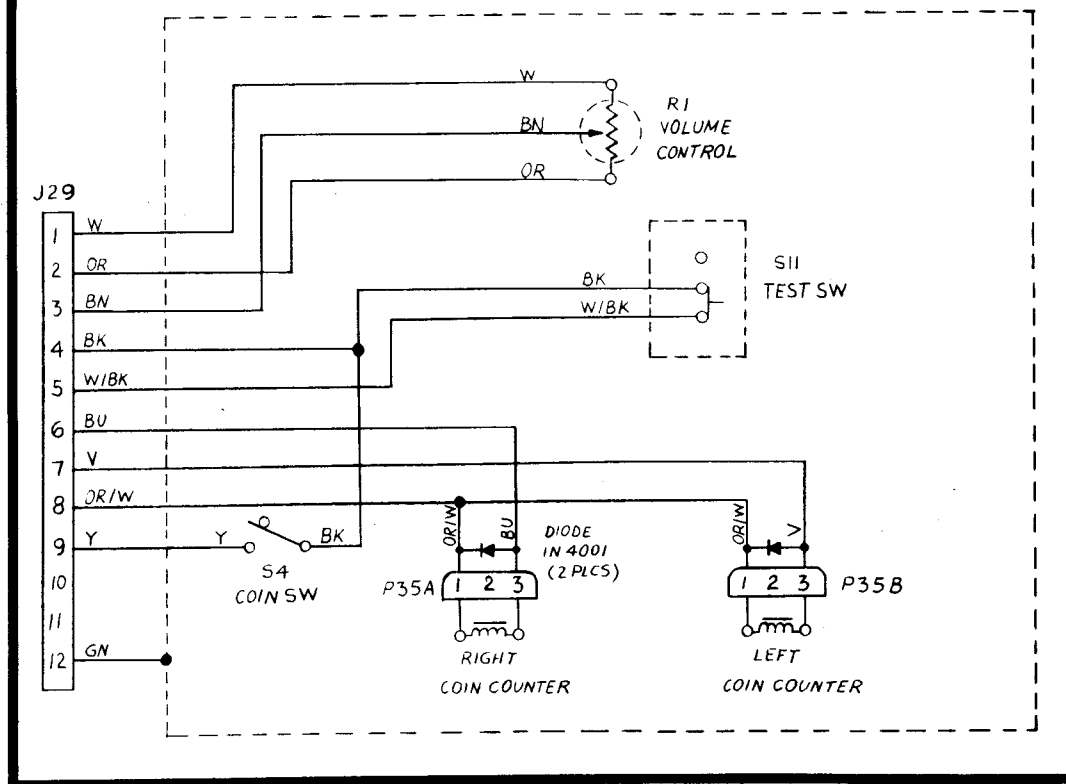
Arabian Regulator/Audio II PCB and Power Supply Diagrams

ATARI®

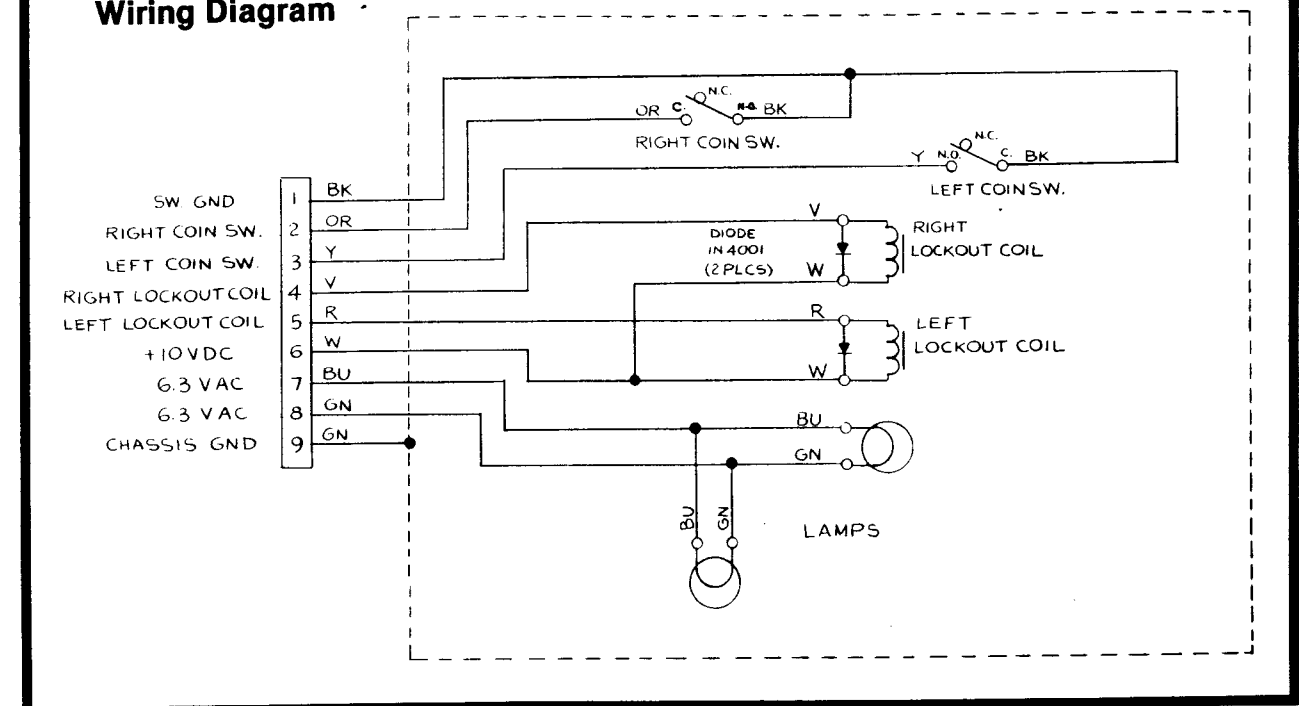
ATARI INC. 1983

SP-237 Sheet 2A
1st printing

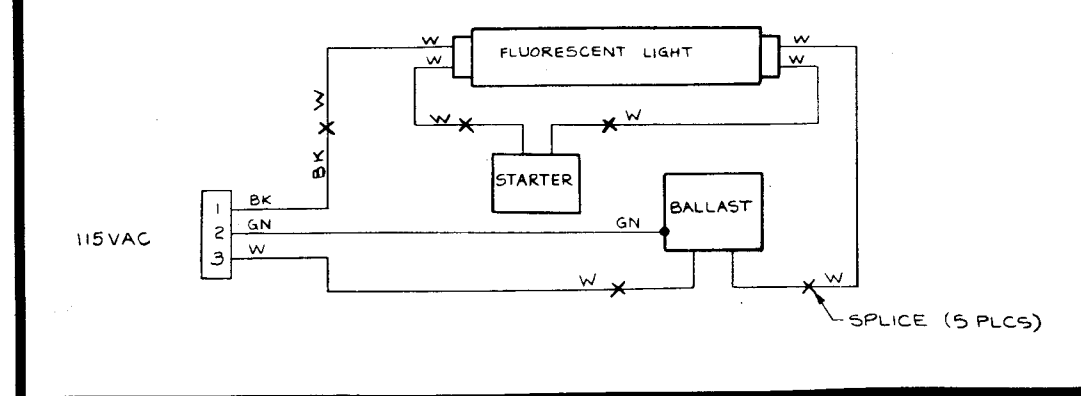
Utility Panel Wiring Diagram



Coin Door Wiring Diagram



Fluorescent Light Wiring Diagram



NOTICE TO ALL PERSONS RECEIVING THIS DRAWING

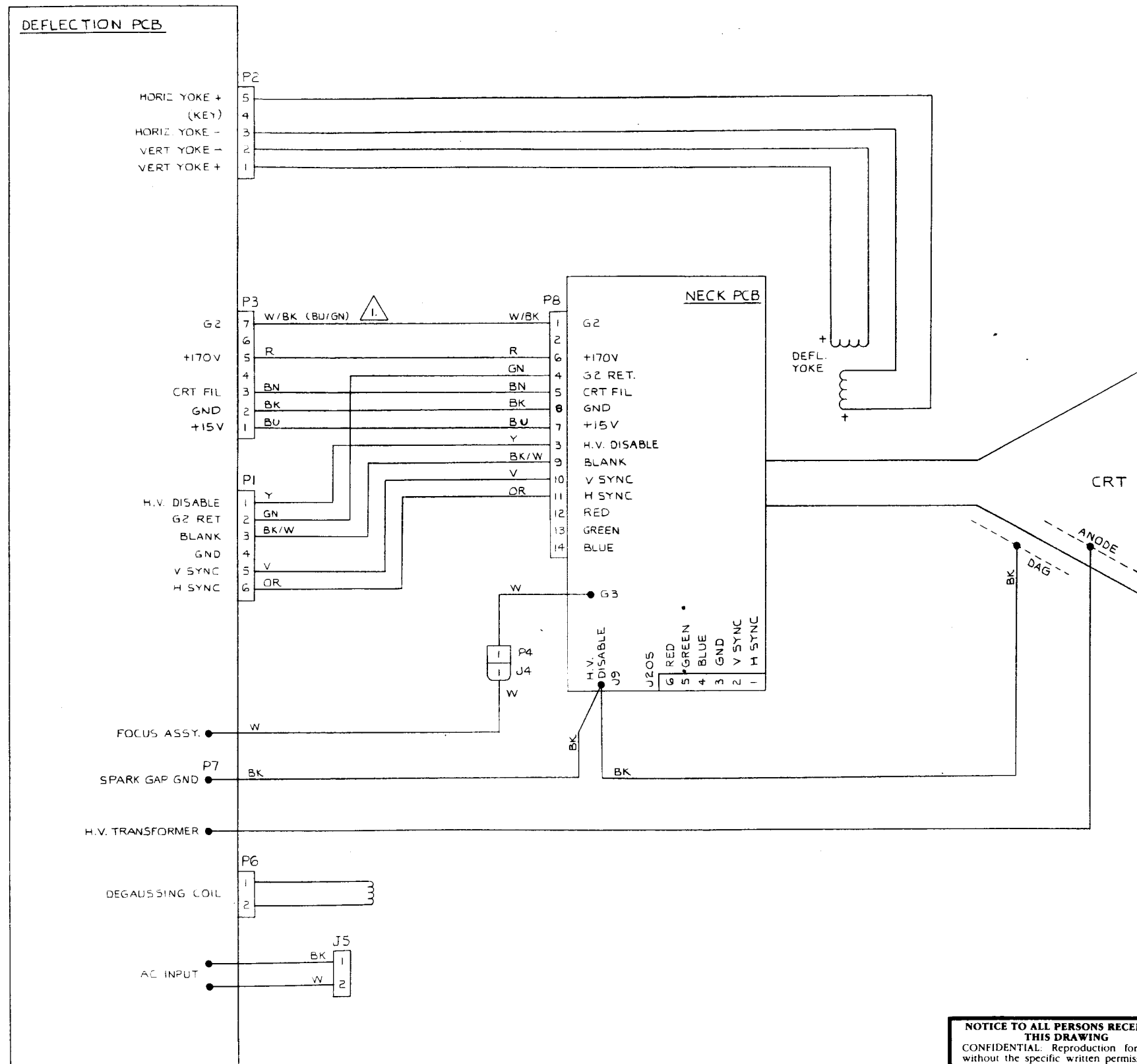
CONFIDENTIAL: Reproduction forbidden without the specific written permission of Atari, Inc., Sunnyvale, CA. This drawing is only conditionally issued, and neither receipt nor possession thereof confers or transfers any right in, or license to use the subject matter of the drawing or any design or technical information shown thereon, nor any right to reproduce this drawing or any part thereof. Except for manufacture by vendors of Atari, Inc., and for manufacture under the corporation's written license, no right is granted to reproduce this drawing or the subject matter thereof, unless by written agreement with or written permission from the corporation.

Arabian Game Interfaces



ATARI INC. 1983

SP-237 Sheet 2B
1st printing



NOTE:
^{1.} ALTERNATE COLOR IN PARENTHESES ().

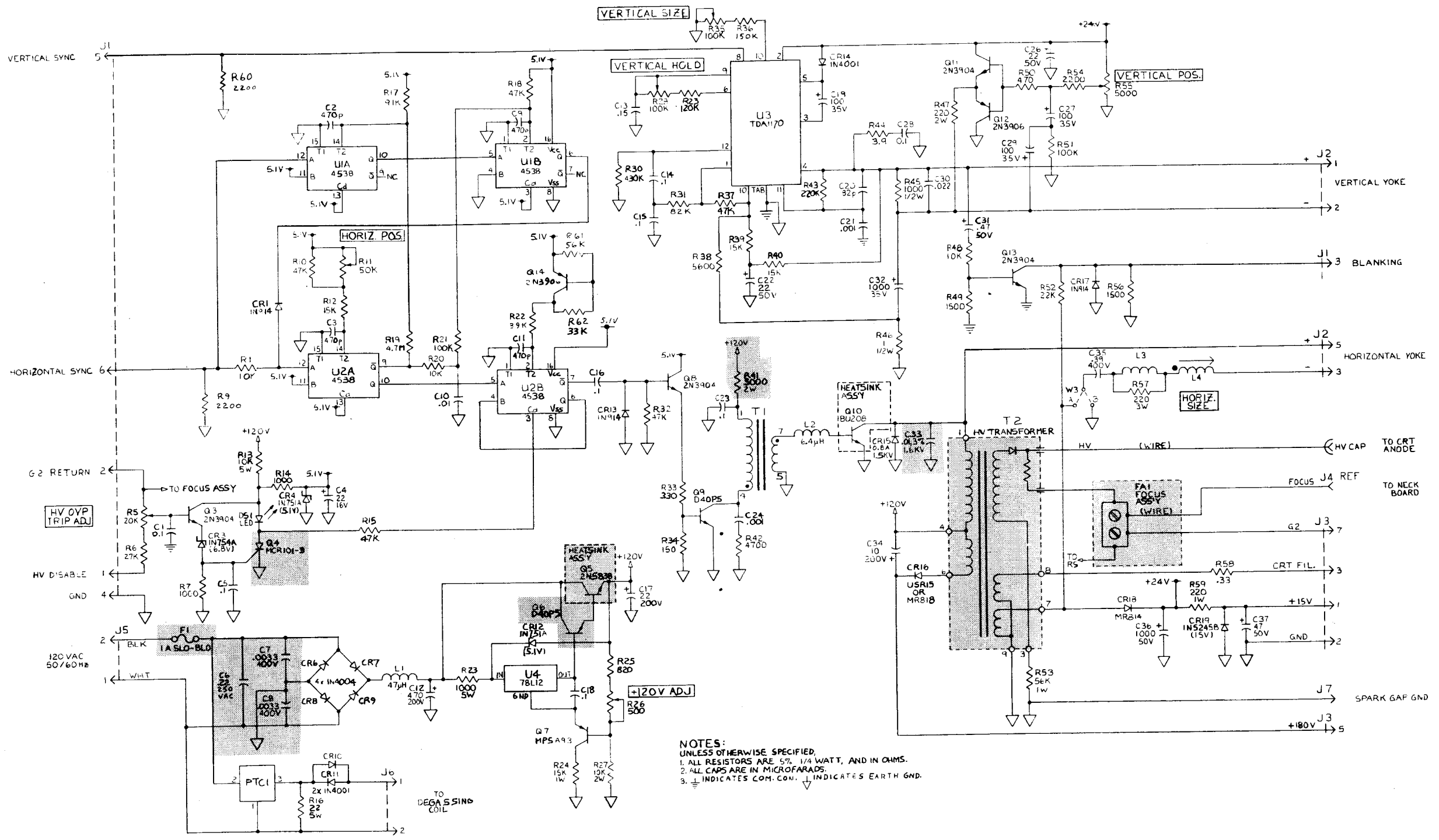
NOTICE TO ALL PERSONS RECEIVING THIS DRAWING
 CONFIDENTIAL. Reproduction forbidden without the specific written permission of Atari, Inc., Sunnyvale, CA. This drawing is only conditionally issued, and neither receipt nor possession thereof confers or transfers any right in, or license to use, the subject matter of the drawing or any design or technical information shown thereon, nor any right to reproduce this drawing or any part thereof. Except for manufacture by vendors of Atari, Inc., and for manufacture under the corporation's written license, no right is granted to reproduce this drawing or the subject matter thereof, unless by written agreement with or written permission from the corporation.

Atari Color Raster Display Wiring Diagram



© ATARI INC. 1983

SP-237 Sheet 3A
 1st printing



NOTES:
 UNLESS OTHERWISE SPECIFIED,
 1. ALL RESISTORS ARE 5% 1/4 WATT, AND IN OHMS.
 2. ALL CAPS ARE IN MICROFARADS.
 3. ⊕ INDICATES COM. CON. ⊥ INDICATES EARTH GND.

PRODUCT SAFETY NOTICE

The shaded areas of this schematic indicate components whose values are of special significance to product safety. Should any component in the shaded areas need to be replaced, use only the value given in the parts lists. Do not deviate from the resistance, wattage, and voltage values shown.

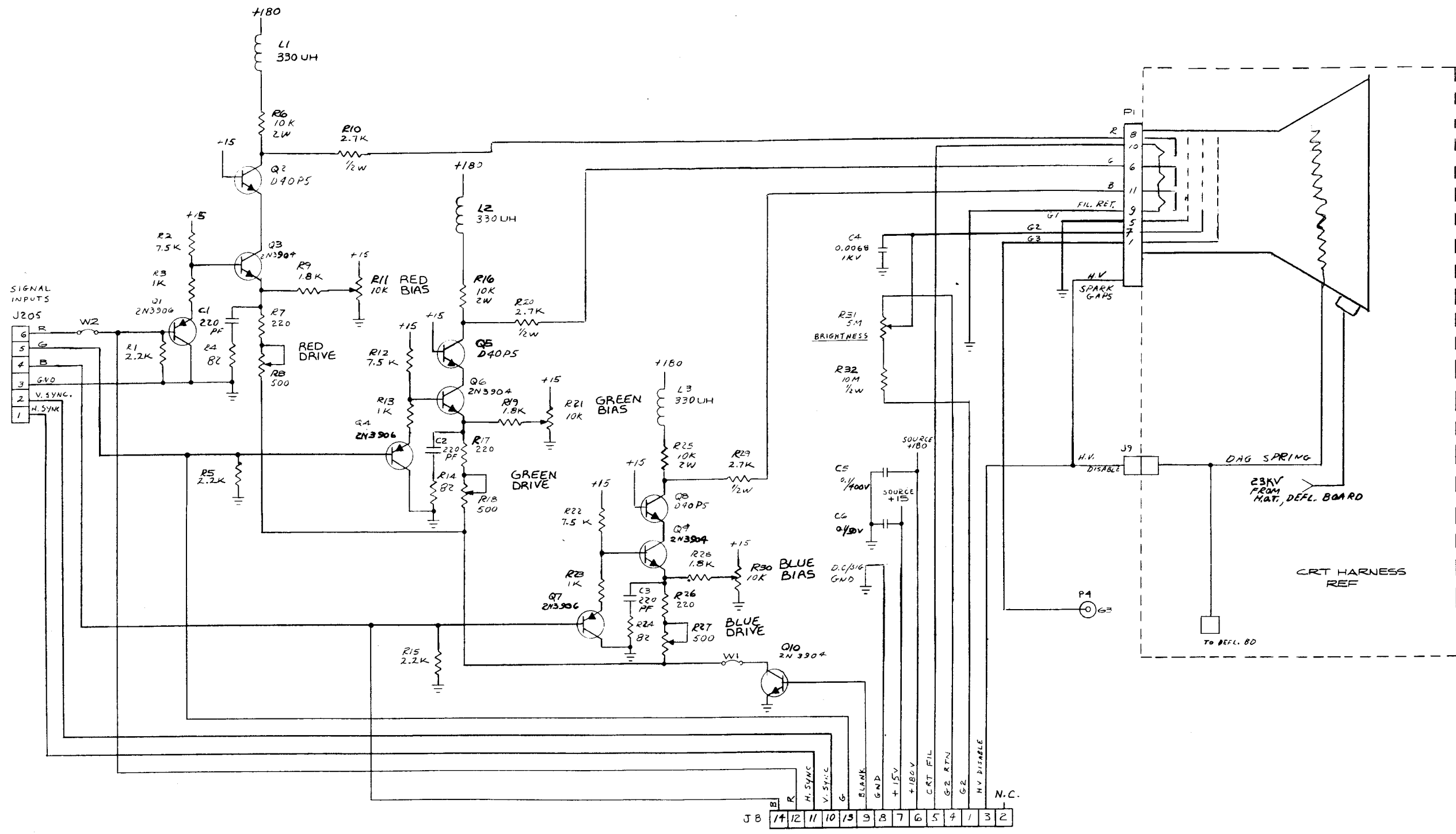
NOTICE TO ALL PERSONS RECEIVING THIS DRAWING
 CONFIDENTIAL: Reproduction forbidden without the specific written permission of Atari, Inc., Sunnyvale, CA. This drawing is only conditionally issued, and neither receipt nor possession thereof confers or transfers any right in, or license to use, the subject matter of the drawing or any design or technical information shown thereon nor any right to reproduce this drawing or any part thereof. Except for manufacture by vendors of Atari, Inc., and for manufacture under the corporation's written license, no right is granted to reproduce this drawing or the subject matter thereof, unless by written agreement with or written permission from the corporation.

Atari Color Raster Display Deflection PCB Schematic Diagram



ATARI INC. 1983

SP-237 Sheet 3B
 1st printing



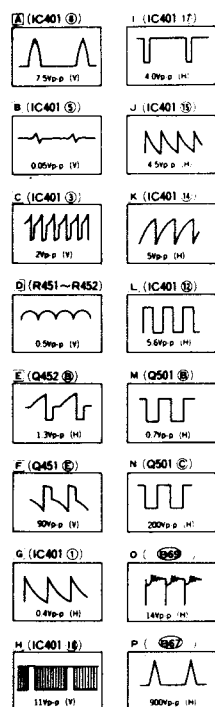
NOTICE TO ALL PERSONS RECEIVING THIS DRAWING
 CONFIDENTIAL: Reproduction forbidden without the specific written permission of Atari, Inc., Sunnyvale, CA. This drawing is only conditionally issued, and neither receipt nor possession thereof confers or transfers any right in, or license to use the subject matter of the drawing or any design or technical information shown thereon, nor any right to reproduce this drawing or any part thereof. Except for manufacture by vendors of Atari, Inc. and for manufacture under the corporation's written license, no right is granted to reproduce this drawing or the subject matter thereof, unless by written agreement with or written permission from the corporation.

**Atari Color Raster Display
Neck PCB Schematic Diagram**

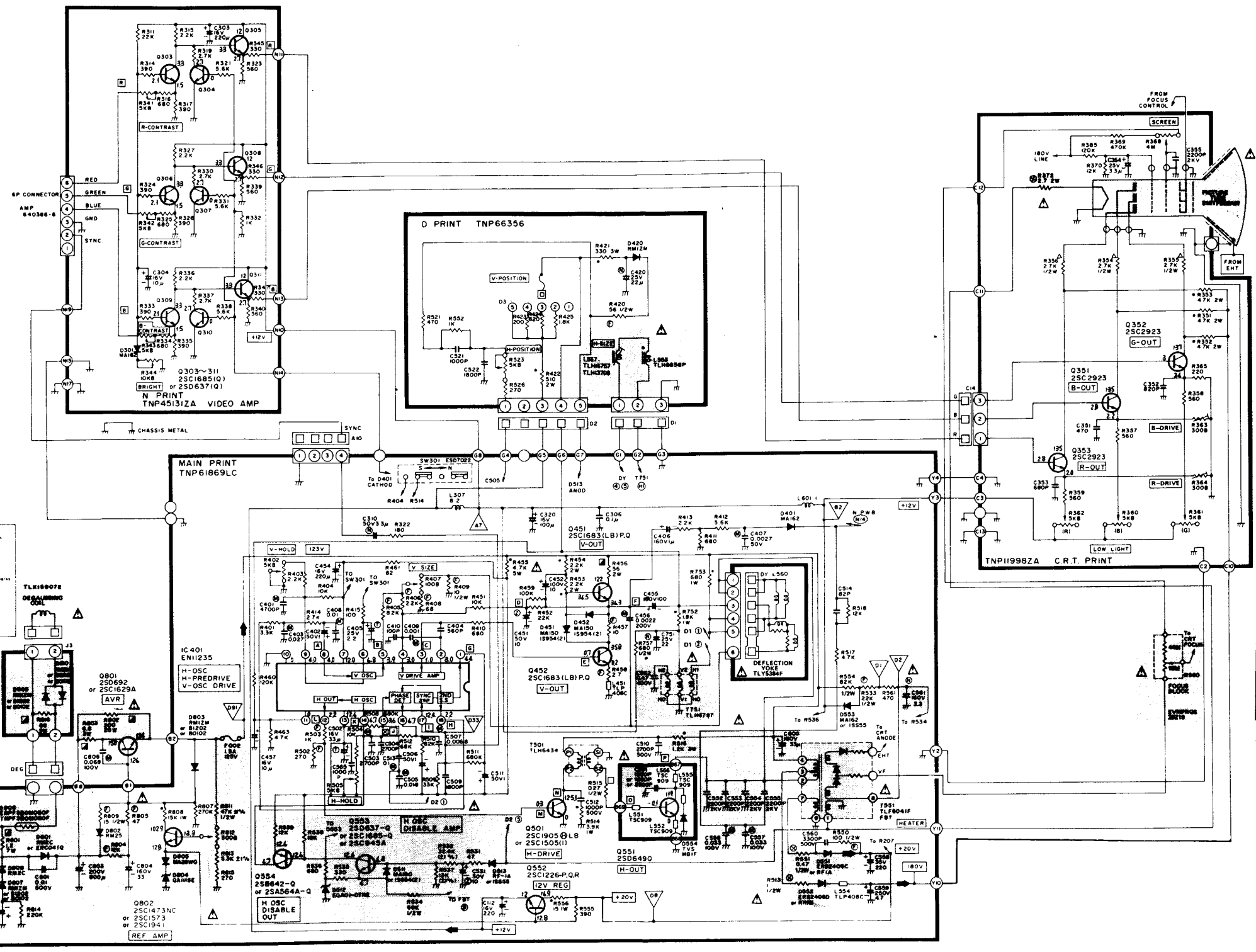
ATARI
A Warner Communications Company

© ATARI INC. 1983
SP-237 Sheet 4A
1st printing

Waveform



NOTE
 1. RESISTOR
 All resistors are carbon 1/8W unless otherwise noted. The following marks:
 Unit of resistance is OHM (Ω), K = 1,000, M = 1,000,000.
 □ Solid * Wire Wound △ Metal Glaze
 ○ Solder □ Non-Ferrous △ Fuse
 2. CAPACITOR
 All capacitors are ceramic 50V dielectric unless otherwise noted. The following marks:
 Unit of capacitance is µF unless otherwise noted.
 □ Electronic △ Safety Vent △ Polystyrene
 □ Electrolytic □ Titanium Oxide □ Polypropylene
 □ Zener □ Temp. Compensated □ Polyester
 □ Doped Tantalum □ Polyester
 3. COIL
 Level of inductance in µH
 4. TEST POINT
 △ Test point position



WARNING
 Components identified by shading have special characteristics important to safety and must be replaced only with identical parts.

NOTICE TO ALL PERSONS RECEIVING THIS DRAWING
 CONFIDENTIAL. Reproduction forbidden without the specific written permission of Atari, Inc., Sunnyvale, CA. This drawing is only conditionally issued, and neither receipt nor possession thereof confers or transfers any right in, or license to use, the subject matter of the drawing or any design or technical information shown thereon, nor any right to reproduce this drawing or any part thereof. Except for manufacture by vendors of Atari, Inc., and for manufacture under the corporation's written license, no right is granted to reproduce this drawing or the subject matter thereof, unless by written agreement with or written permission from the corporation.

Matsushita Color Raster Display Schematic Diagram

© ATARI INC. 1983

SP-237 Sheet 4B
1st printing

Arabian Memory Map

HEXA-DECIMAL ADDRESS	ADDRESS BUS SIGNAL LINES															READ/ WRITE	DATA BUS SIGNAL LINES								FUNCTION		
	A15	A14	A13	A12	A11	A10	A9	A8	A7	A6	A5	A4	A3	A2	A1		A0	D7	D6	D5	D4	D3	D2	D1		D0	
E006	1	1	1	0	A	A	A	A	A	A	A	A	A	1	1	0	W	D	D	D	D	D	D	D	D	\overline{XY} (H)	Picture Size and DMA Start
E005	1	1	1	0	A	A	A	A	A	A	A	A	A	1	0	1	W	D	D	D	D	D	D	D	D	\overline{XY} (L)	
E004	1	1	1	0	A	A	A	A	A	A	A	A	A	1	0	0	W	D	D	D	D	D	D	D	D	\overline{WR} (H)	DMA RAM Start Address
E003	1	1	1	0	A	A	A	A	A	A	A	A	A	0	1	1	W	D	D	D	D	D	D	D	D	\overline{WR} (L)	
E002	1	1	1	0	A	A	A	A	A	A	A	A	A	0	1	0	W	D	D	D	D	D	D	D	D	\overline{RD} (H)	DMA ROM Start Address
E001	1	1	1	0	A	A	A	A	A	A	A	A	A	0	0	1	W	D	D	D	D	D	D	D	D	\overline{RD} (L)	
E000	1	1	1	0	A	A	A	A	A	A	A	A	A	0	0	0	W					D	D	D	D	BSEL Bank Select	
DFFF-D000	1	1	0	1	A	A	A	A	A	A	A	A	A	A	A	A	R/W	D	D	D	D	D	D	D	D	Custom Microprocessor RAM	
CA00	1	1	0	0	1	0	1	0	A	A	A	A	A	A	A	A	R/W	D	D	D	D	D	D	D	D	Sound Chip Data	
C800	1	1	0	0	1	0	0	0	A	A	A	A	A	A	A	A	W	D	D	D	D	D	D	D	D	Sound Chip Address	
C200	1	1	0	0	0	0	1	0	A	A	A	A	A	A	A	A	R					D	D	D	D	Option Switches	
C000	1	1	0	0	0	0	0	0	A	A	A	A	A	A	A	A	R					D	D	D	D	Coin Inputs	
BFFF-8000	1	0	1	1	A	A	A	A	A	A	A	A	A	A	A	A	R/W	D	D	D	D	D	D	D	D	Bit Map RAM	
6000-7FFF	0	1	1	A	A	A	A	A	A	A	A	A	A	A	A	A	R	D	D	D	D	D	D	D	D	\overline{ROM} 3	Program ROM (Z-80)
4000-5FFF	0	1	0	A	A	A	A	A	A	A	A	A	A	A	A	A	R	D	D	D	D	D	D	D	D	\overline{ROM} 2	
2000-3FFF	0	0	1	A	A	A	A	A	A	A	A	A	A	A	A	A	R	D	D	D	D	D	D	D	D	\overline{ROM} 1	
0000-1FFF	0	0	0	A	A	A	A	A	A	A	A	A	A	A	A	A	R	D	D	D	D	D	D	D	D	\overline{ROM} 0	

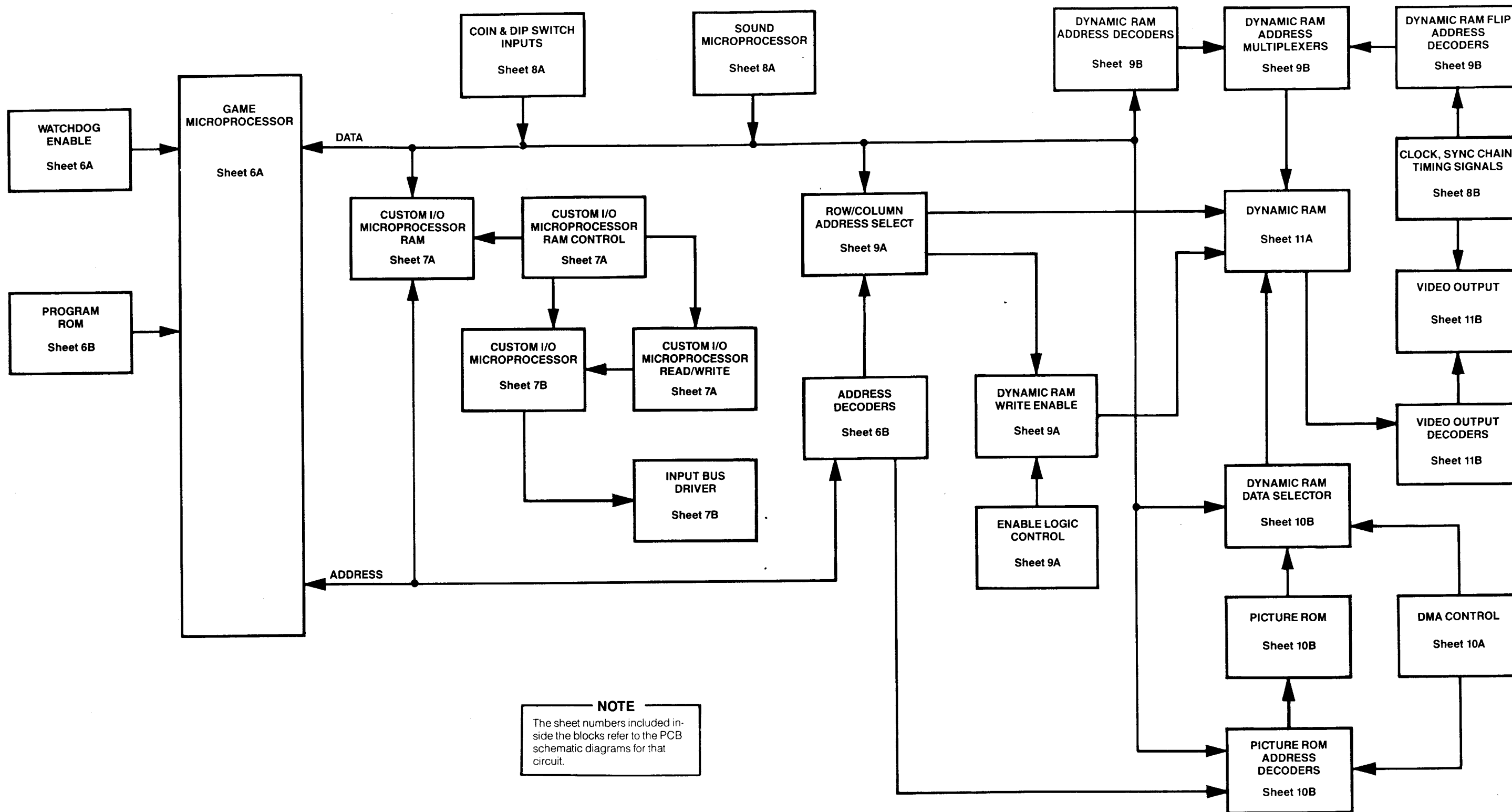
NOTICE TO ALL PERSONS RECEIVING THIS DRAWING

CONFIDENTIAL: Reproduction forbidden without the specific written permission of Atari, Inc., Sunnyvale, CA. This drawing is only conditionally issued, and neither receipt nor possession thereof confers or transfers any right in, or license to use, the subject matter of the drawing or any design or technical information shown thereon, nor any right to reproduce this drawing or any part thereof. Except for manufacture by vendors of Atari, Inc., and for manufacture under the corporation's written license, no right is granted to reproduce this drawing or the subject matter thereof, unless by written agreement with or written permission from the corporation.

Arabian Memory Map

ATARI INC. 1985


SP-237 Sheet 5A
1st printing



NOTE
The sheet numbers included inside the blocks refer to the PCB schematic diagrams for that circuit.

NOTICE TO ALL PERSONS RECEIVING THIS DRAWING
CONFIDENTIAL - Reproduction forbidden without the specific written permission of Atari, Inc., Sunnyvale, CA. This drawing is only conditionally issued and neither receipt nor possession thereof confers or transfers any right in or interest in the subject matter of the drawing or any design or technical information shown thereon, nor any right to reproduce this drawing or any part thereof. Except for the manufacture of parts of Atari, Inc., and its manufacturer under the supervision of a written contract, this drawing is not to be used for any other purpose without the specific written permission of Atari, Inc.

Arabian Block Diagram/Guide to PCB Schematics

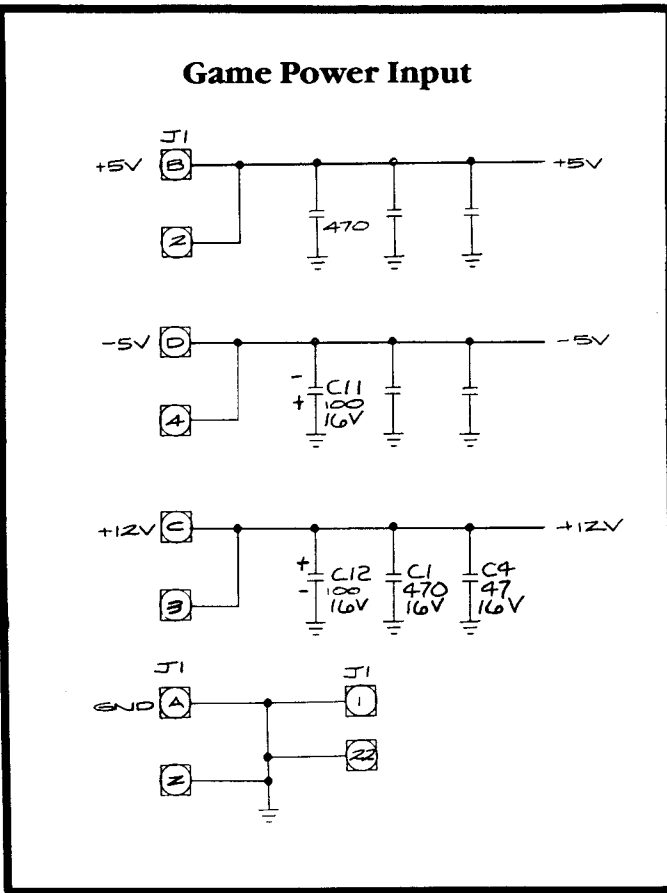
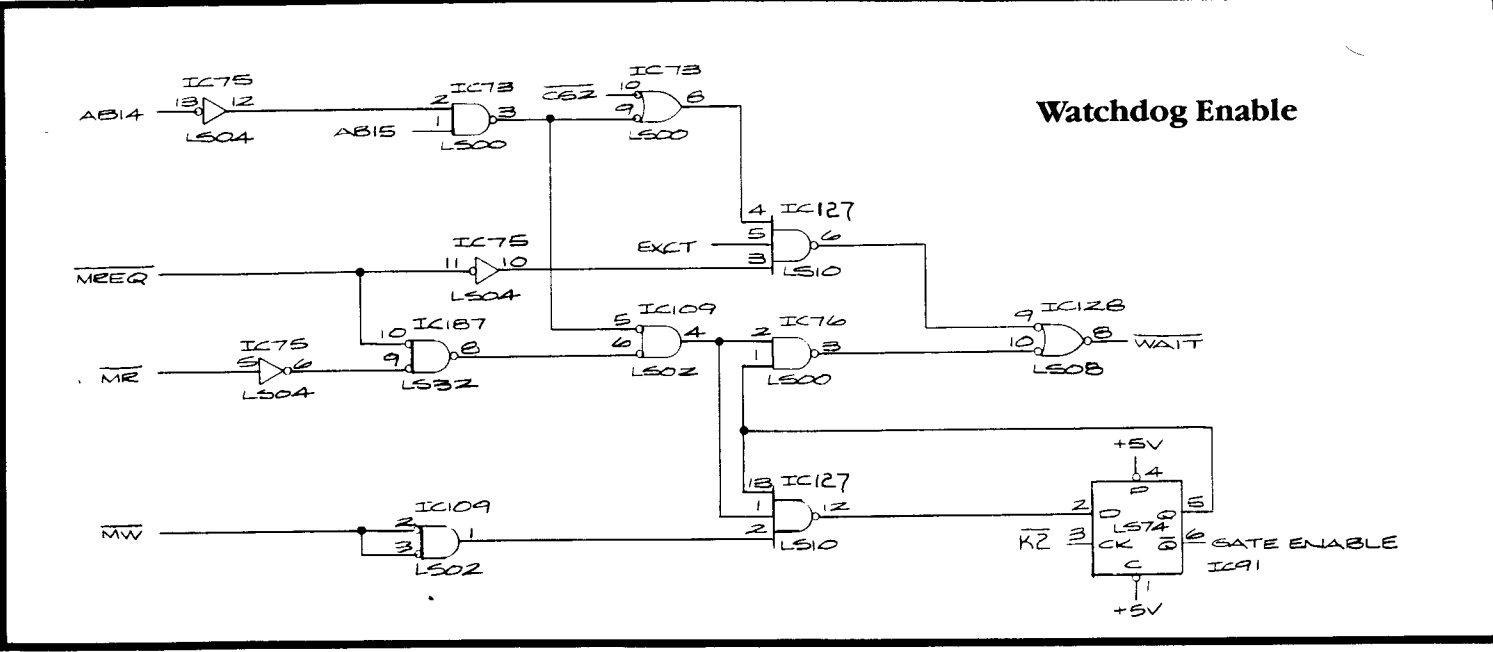
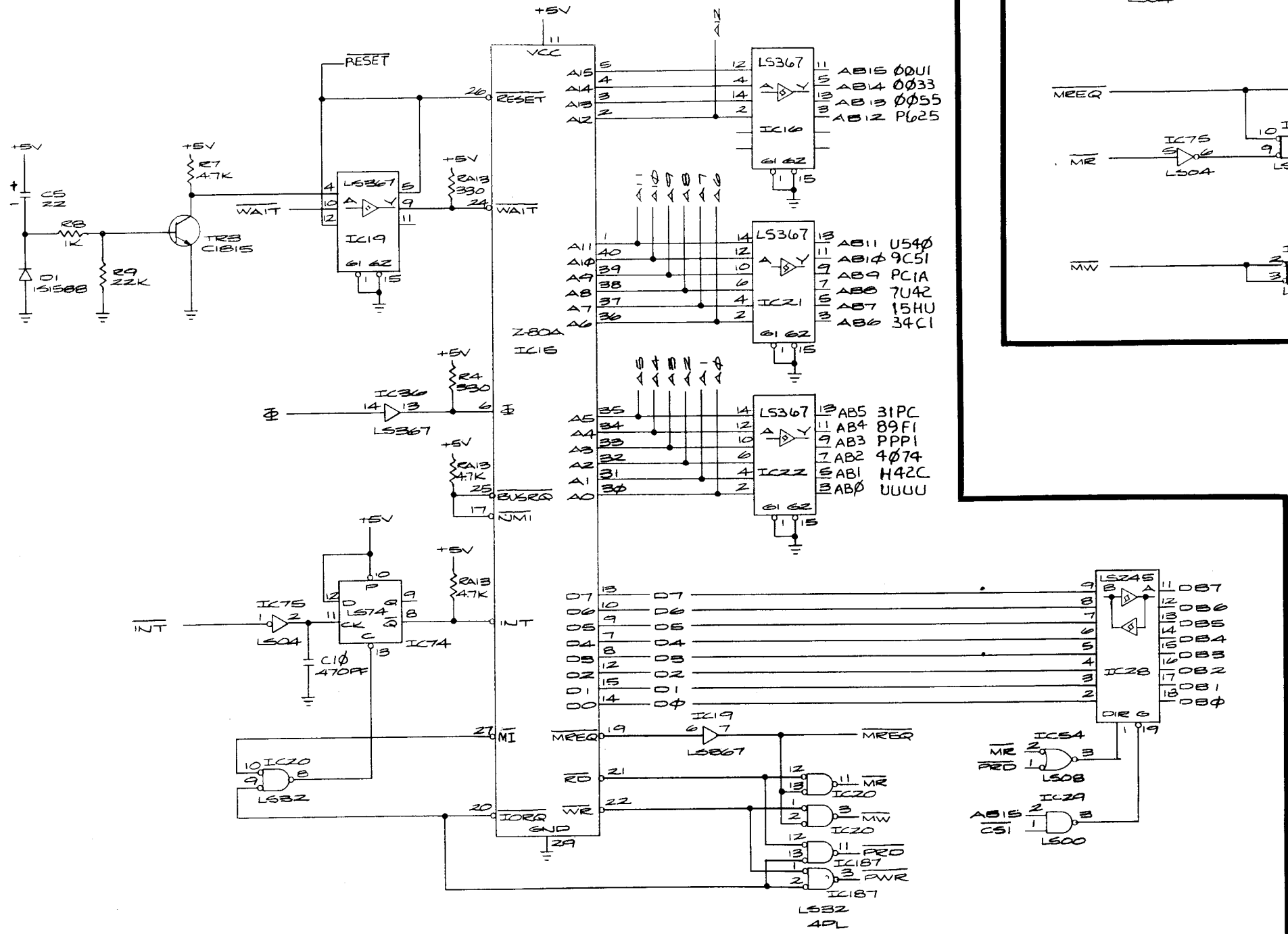


ATARI[®]

ATARI, INC. 1984

SP-237 Sheet 5B
1st printing

Game Microprocessor



NOTES:

- DENOTES J1 CONNECTOR
- DENOTES J2 CONNECTOR

NOTICE TO ALL PERSONS RECEIVING THIS DRAWING

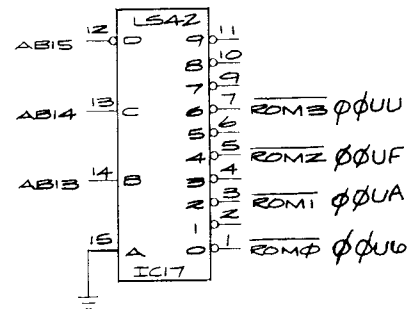
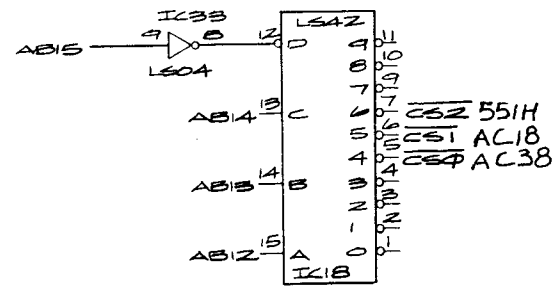
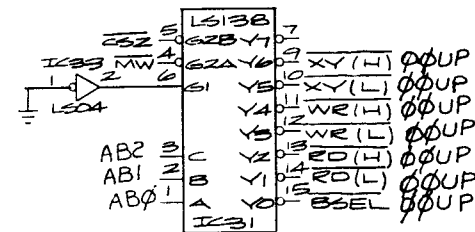
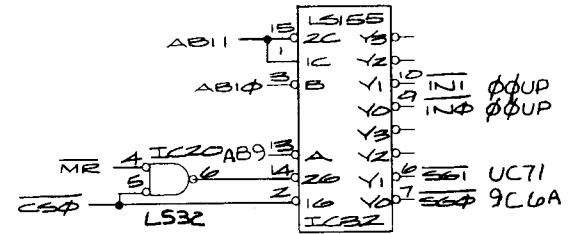
CONFIDENTIAL. Reproduction forbidden without the specific written permission of Atari, Inc., Sunnyvale, CA. This drawing is only conditionally issued, and neither receipt nor possession thereof confers or transfers any right in, or license to use, the subject matter of the drawing or any design or technical information shown thereon, nor any right to reproduce this drawing or any part thereof. Except for manufacture by vendors of Atari, Inc., and for manufacture under the corporation's written license, no right is granted to reproduce this drawing or the subject matter thereof, unless by written agreement with or written permission from the corporation.

Arabian PCB Schematic Diagram

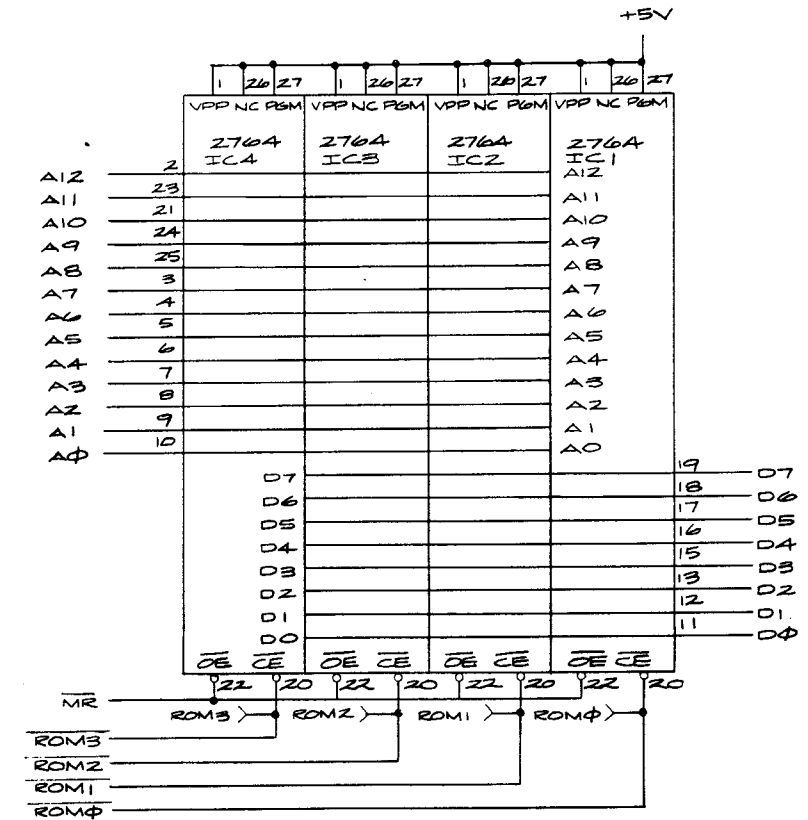


© ATARI INC. 1983

Address Decoders



Program ROM



NOTICE TO ALL PERSONS RECEIVING THIS DRAWING
 CONFIDENTIAL: Reproduction forbidden without the specific written permission of Atari, Inc., Sunnyvale, CA. This drawing is only conditionally issued, and neither receipt nor possession thereof confers or transfers any right in, or license to use, the subject matter of the drawing or any design or technical information shown thereon, nor any right to reproduce this drawing or any part thereof. Except for manufacture by vendors of Atari, Inc., and for manufacture under the corporation's written license, no right is granted to reproduce this drawing or the subject matter thereof, unless by written agreement with or written permission from the corporation.

Arabic PCB Schematic Diagram

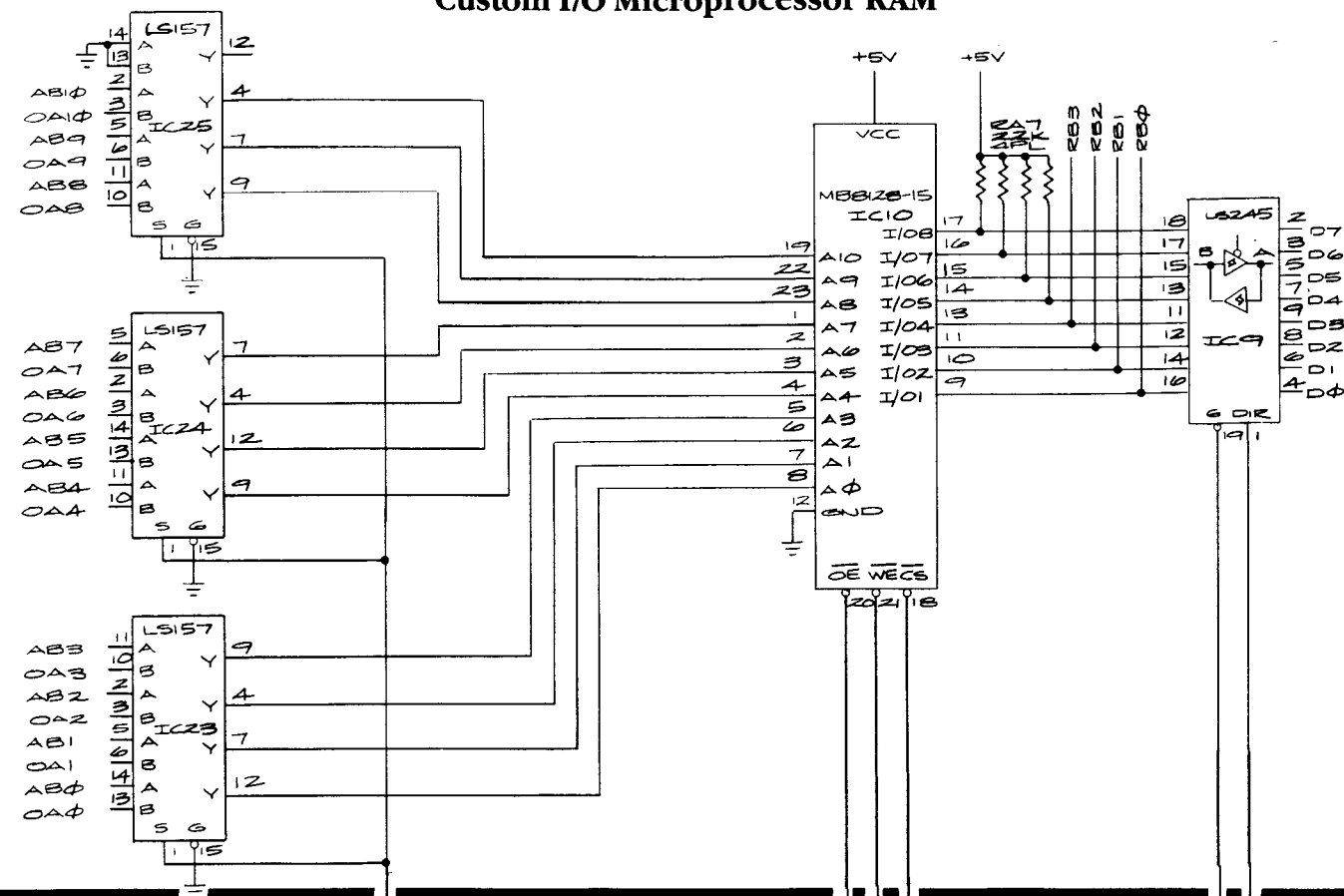


A Warner Communications Company

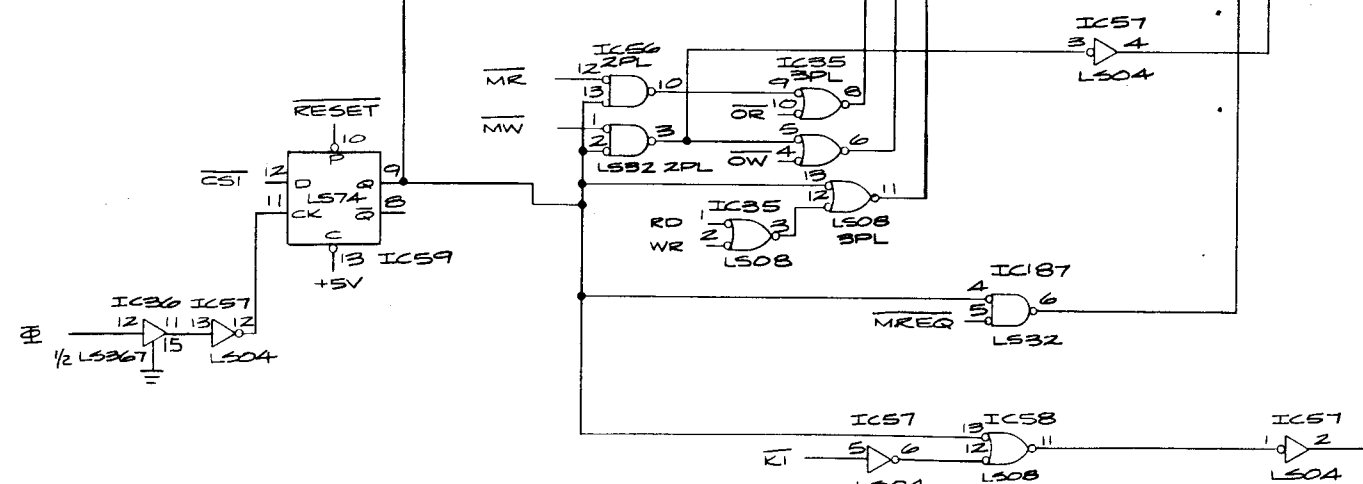
© ATARI INC. 1983

SP-237 Sheet 6B
1st printing

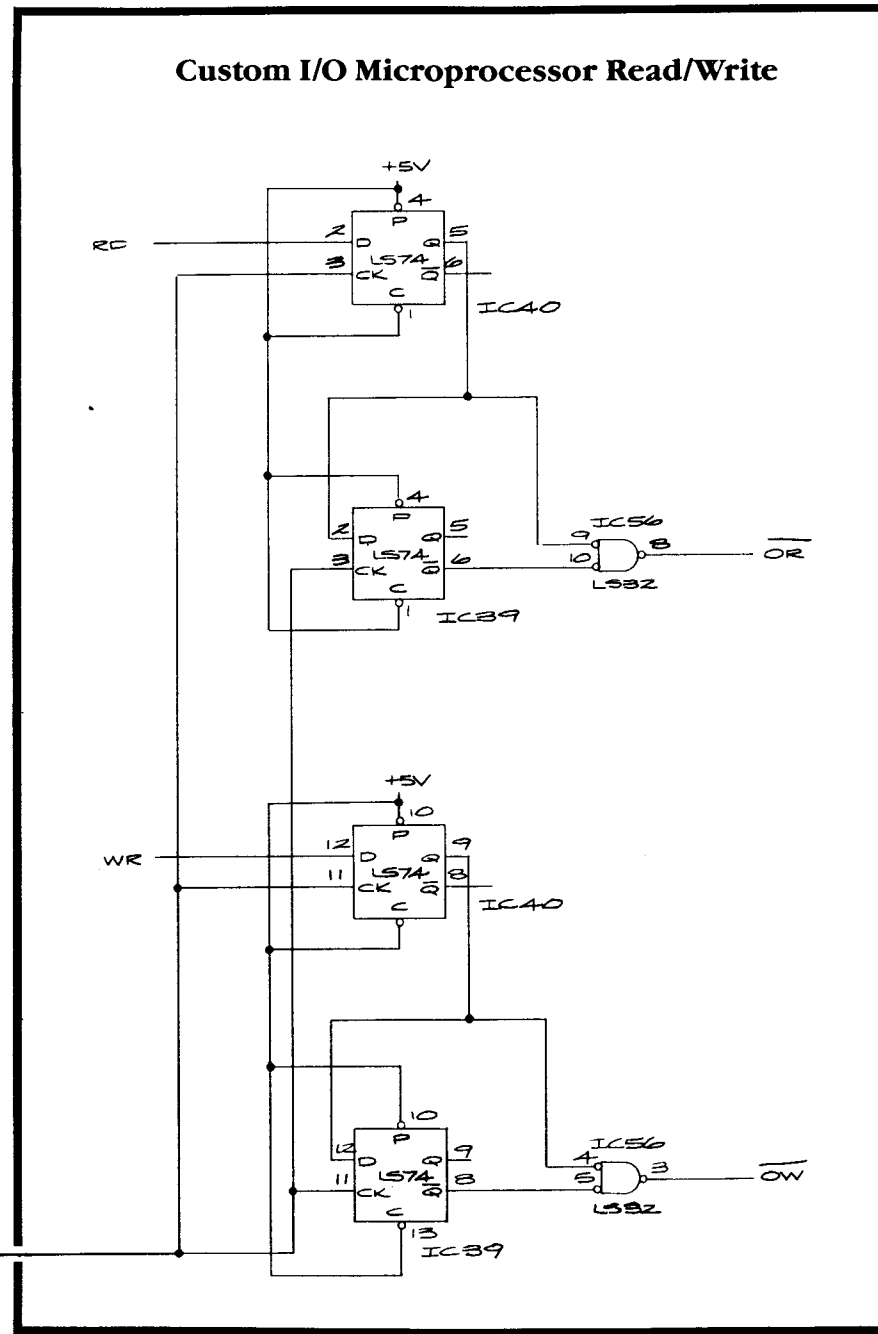
Custom I/O Microprocessor RAM



Custom I/O Microprocessor RAM Control



Custom I/O Microprocessor Read/Write



NOTICE TO ALL PERSONS RECEIVING THIS DRAWING

CONFIDENTIAL: Reproduction forbidden without the specific written permission of Atari, Inc., Sunnyvale, CA. This drawing is only conditionally issued, and neither receipt nor possession thereof confers or transfers any right in, or license to use, the subject matter of the drawing or any design or technical information shown thereon, nor any right to reproduce this drawing or any part thereof. Except for manufacture by vendors of Atari, Inc., and for manufacture under the corporation's written license, no right is granted to reproduce this drawing or the subject matter thereof, unless by written agreement with or written permission from the corporation.

Arabian PCB Schematic Diagram

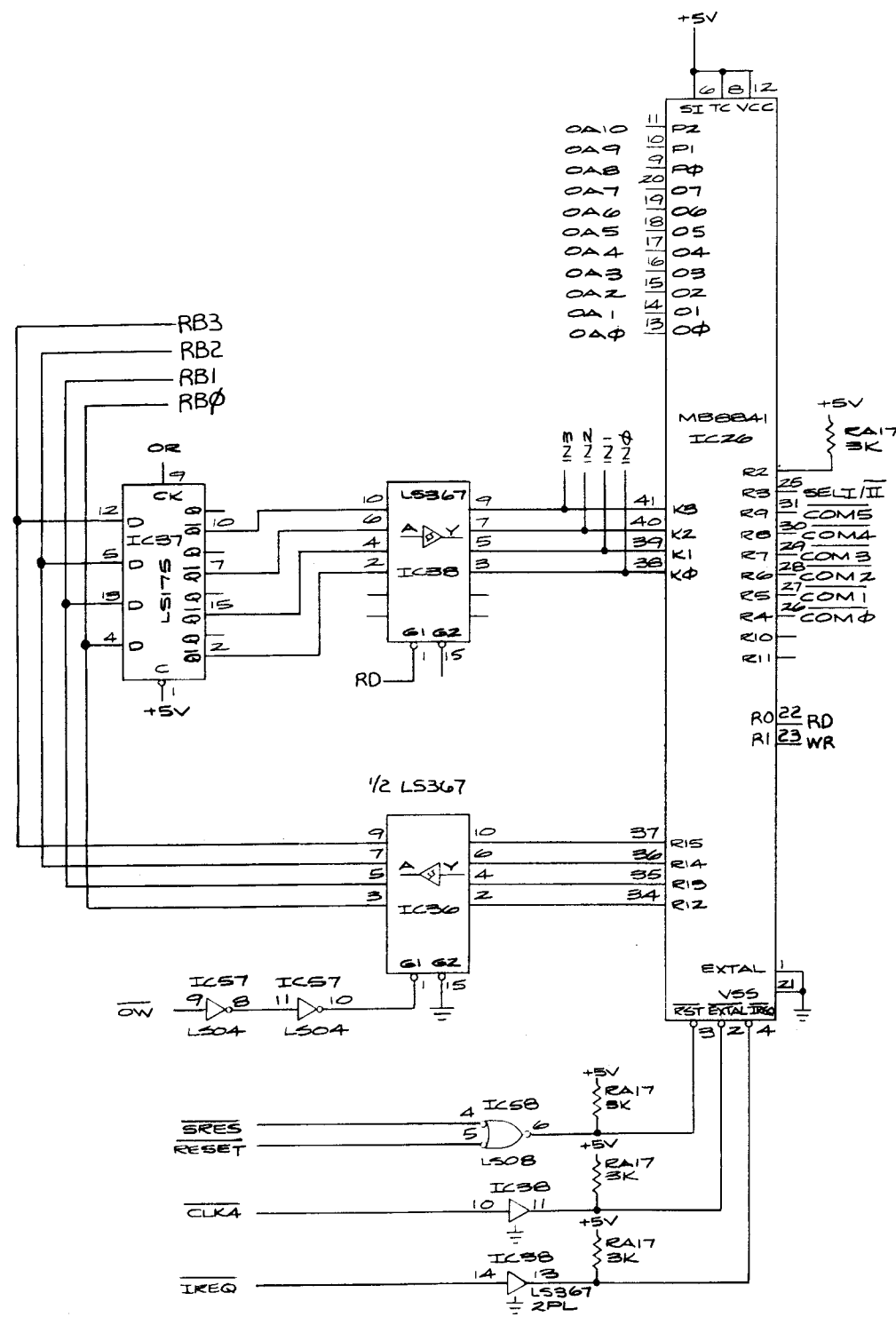


© ATARI INC. 1983

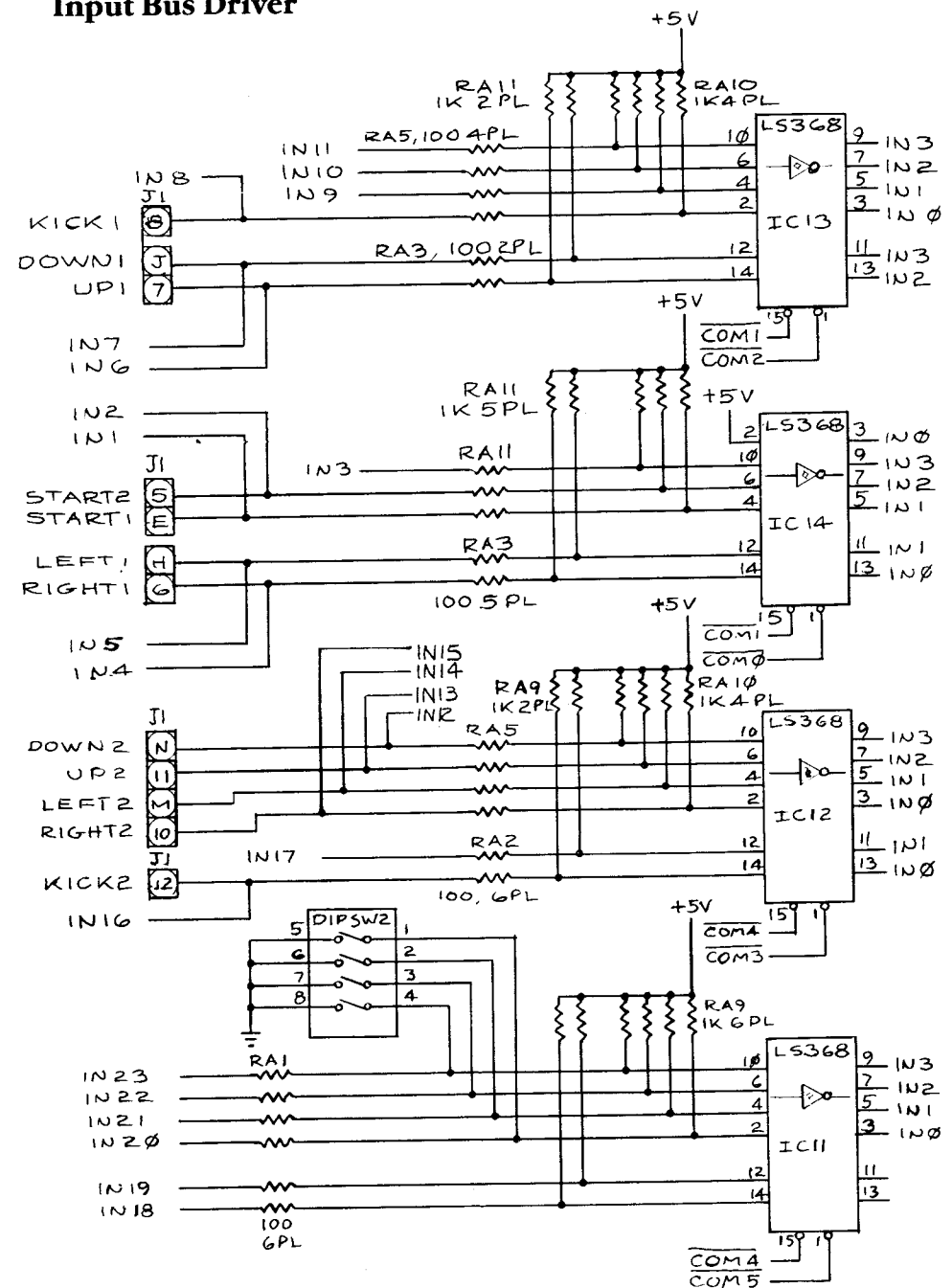
SP-237 Sheet 7A
1st printing

A Warner Communications Company

Custom I/O Microprocessor



Input Bus Driver



NOTICE TO ALL PERSONS RECEIVING THIS DRAWING
 CONFIDENTIAL: Reproduction forbidden without the specific written permission of Atari, Inc., Sunnyvale, CA. This drawing is only conditionally issued, and neither receipt nor possession thereof confers or transfers any right in, or license to use, the subject matter of the drawing or any design or technical information shown thereon, nor any right to reproduce this drawing or any part thereof. Except for manufacture by vendors of Atari, Inc., and for manufacture under the corporation's written license, no right is granted to reproduce this drawing or the subject matter thereof, unless by written agreement with or written permission from the corporation.

Arabian PCB Schematic Diagram

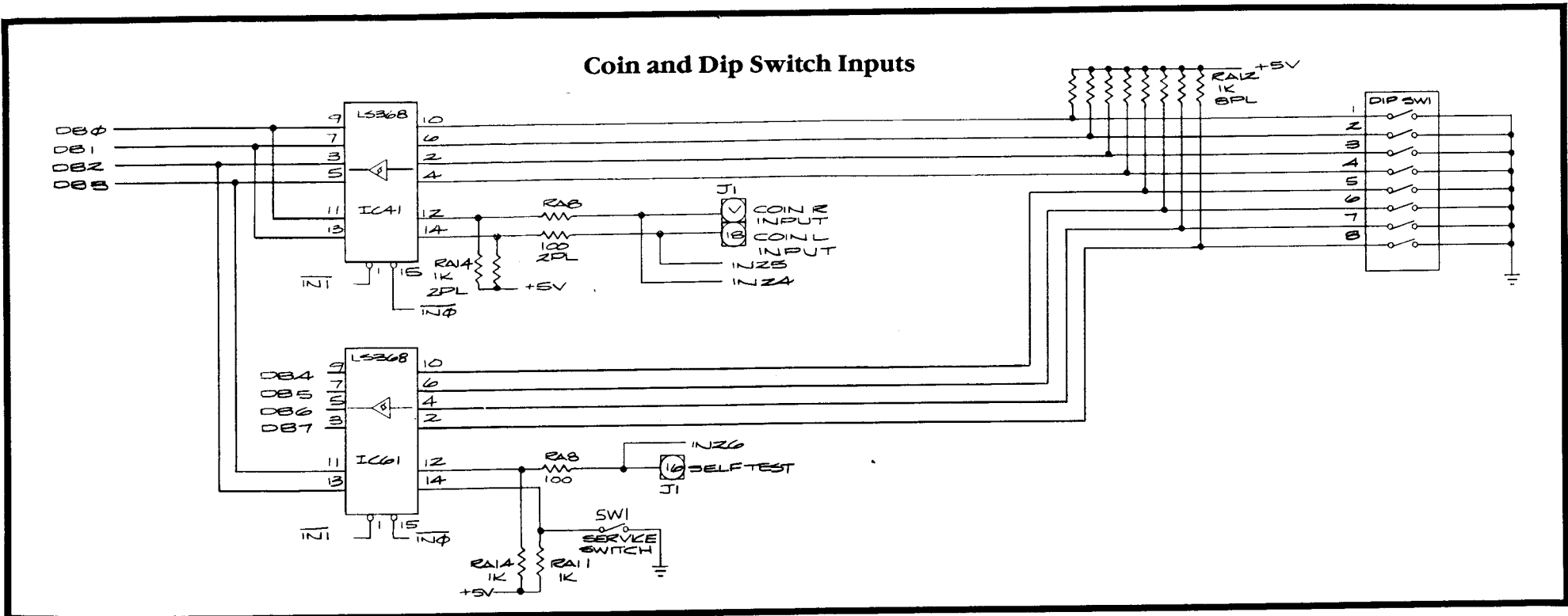


© ATARI INC. 1983

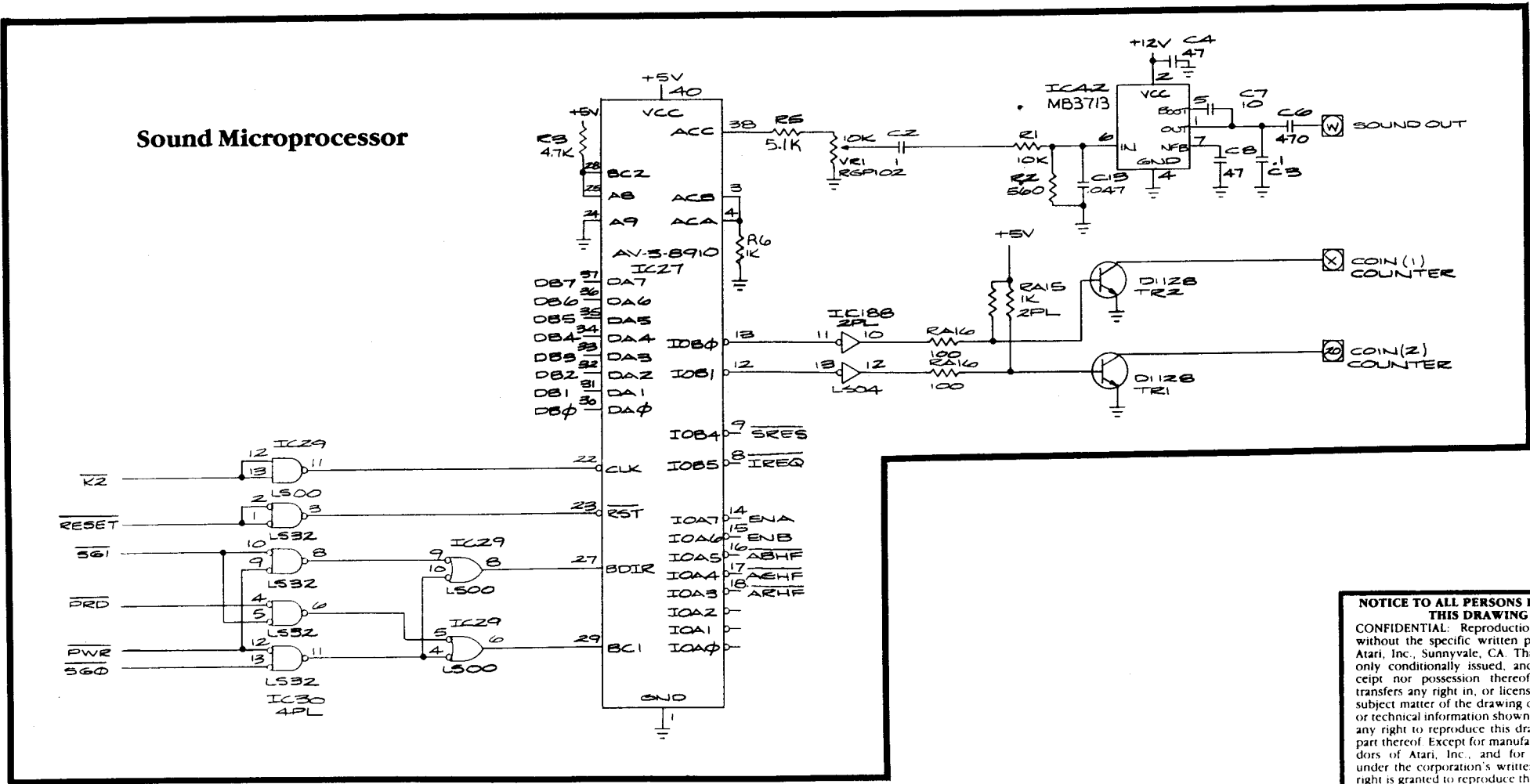
SP-237 Sheet 7B
 1st printing

A Warner Communications Company

Coin and Dip Switch Inputs



Sound Microprocessor



NOTICE TO ALL PERSONS RECEIVING THIS DRAWING
 CONFIDENTIAL: Reproduction forbidden without the specific written permission of Atari, Inc., Sunnyvale, CA. This drawing is only conditionally issued, and neither receipt nor possession thereof confers or transfers any right in, or license to use, the subject matter of the drawing or any design or technical information shown thereon, nor any right to reproduce this drawing or any part thereof. Except for manufacture by vendors of Atari, Inc., and for manufacture under the corporation's written license, no right is granted to reproduce this drawing or the subject matter thereof, unless by written agreement with or written permission from the corporation.

Arabian PCB Schematic Diagram

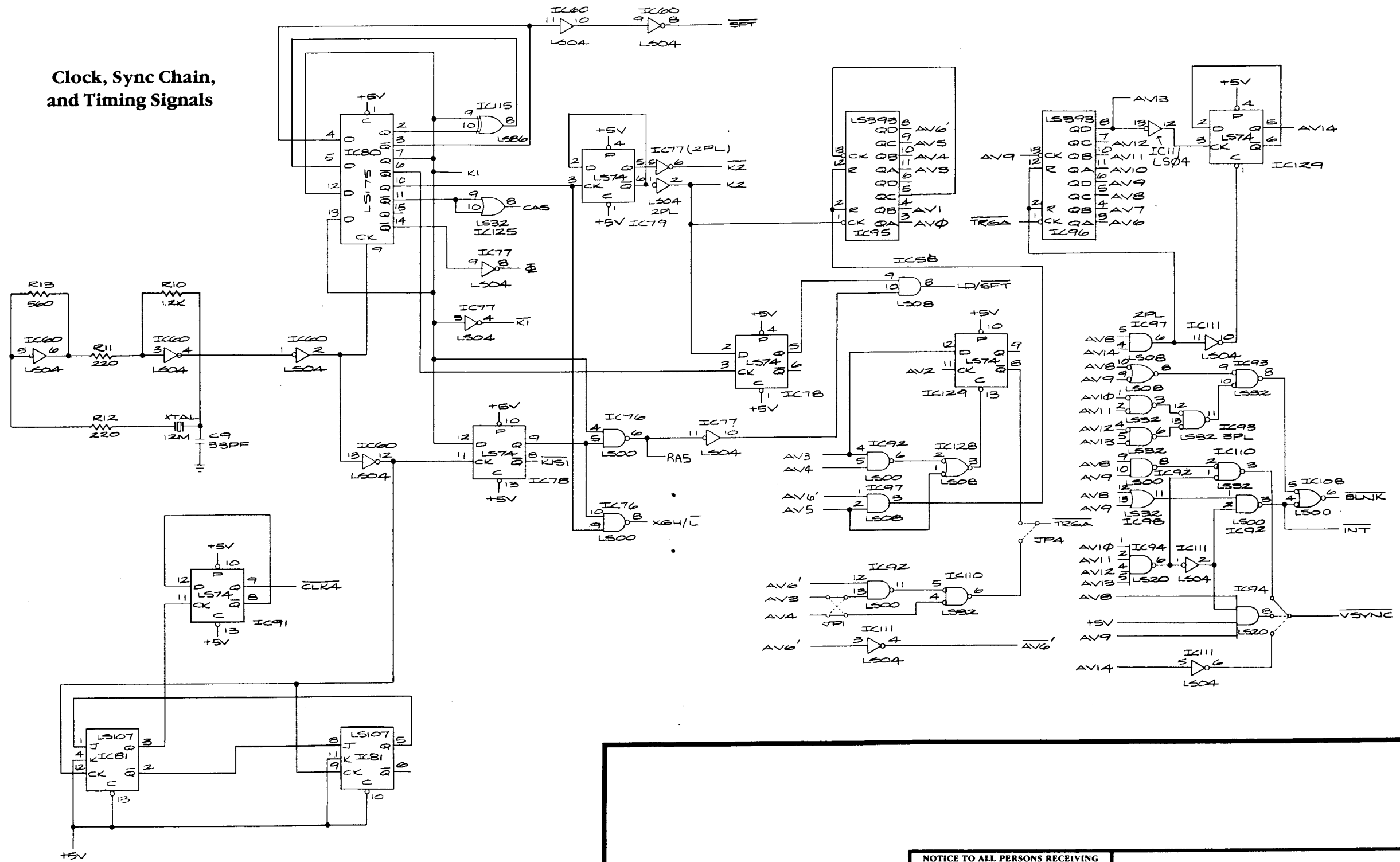


© ATARI INC. 1983

SP-237 Sheet 8A
 1st printing

A Warner Communications Company

**Clock, Sync Chain,
and Timing Signals**



**NOTICE TO ALL PERSONS RECEIVING
THIS DRAWING**

CONFIDENTIAL: Reproduction forbidden without the specific written permission of Atari, Inc., Sunnyvale, CA. This drawing is only conditionally issued, and neither receipt nor possession thereof confers or transfers any right in, or license to use, the subject matter of the drawing or any design or technical information shown thereon, nor any right to reproduce this drawing or any part thereof. Except for manufacture by vendors of Atari, Inc., and for manufacture under the corporation's written license, no right is granted to reproduce this drawing or the subject matter thereof, unless by written agreement with or written permission from the corporation.

Arabic PCB Schematic Diagram

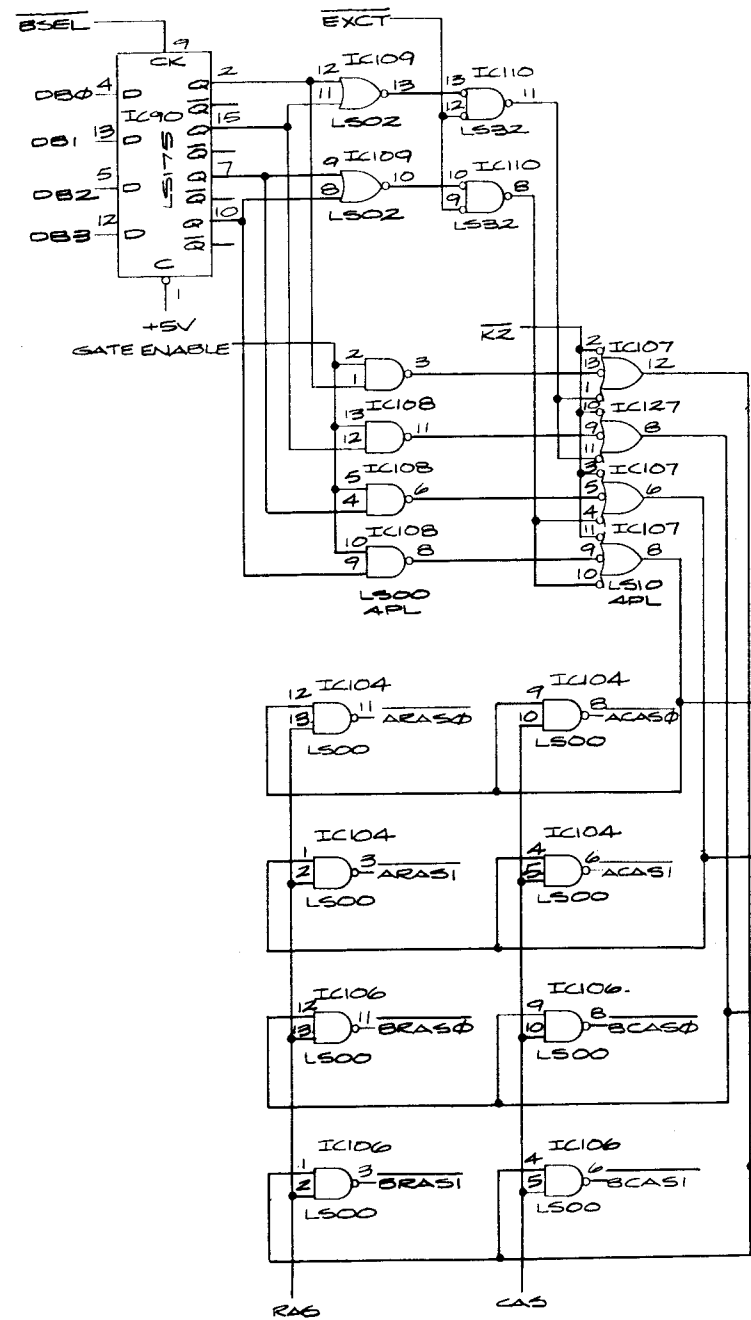


© ATARI INC. 1983

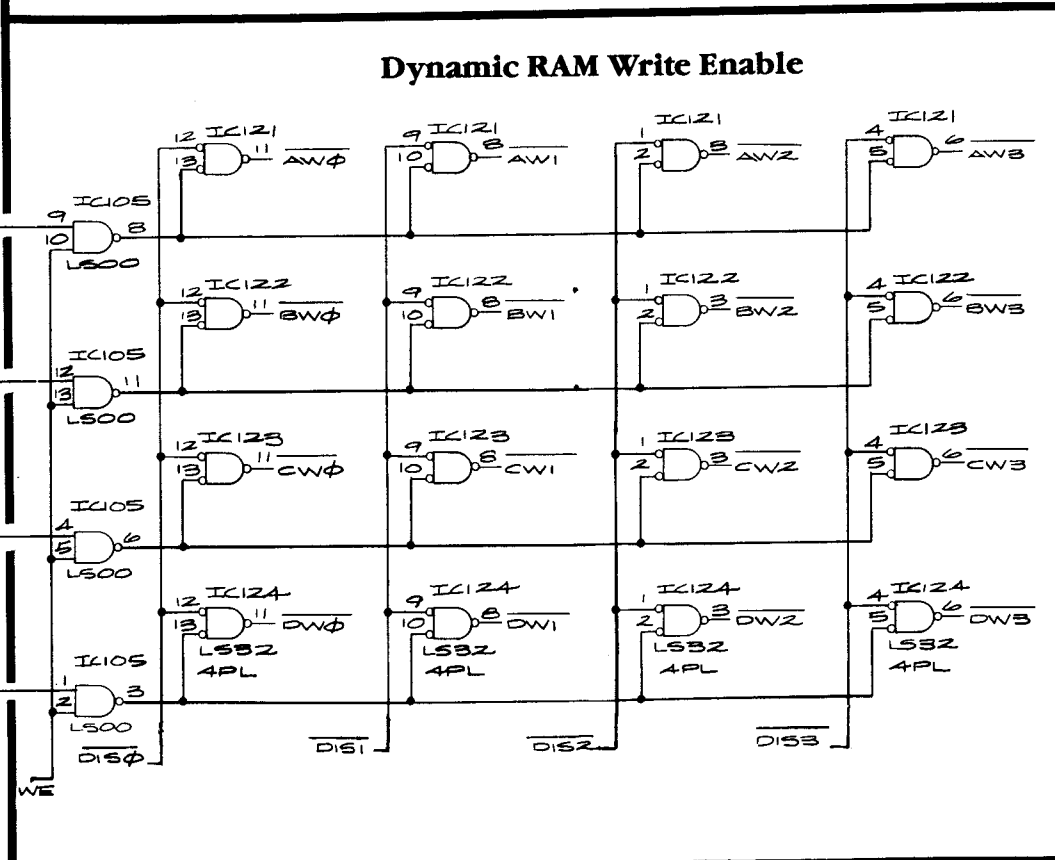
SP-237 Sheet 8B
1st printing

A Warner Communications Company

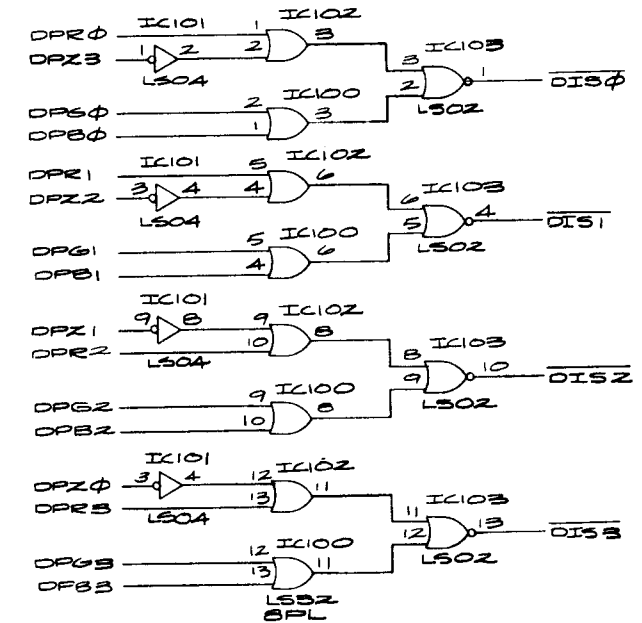
Row/Column Address Select



Dynamic RAM Write Enable



Enable Logic Control



NOTICE TO ALL PERSONS RECEIVING THIS DRAWING

CONFIDENTIAL: Reproduction forbidden without the specific written permission of Atari, Inc., Sunnyvale, CA. This drawing is only conditionally issued, and neither receipt nor possession thereof confers or transfers any right in, or license to use, the subject matter of the drawing or any design or technical information shown thereon, nor any right to reproduce this drawing or any part thereof. Except for manufacture by vendors of Atari, Inc., and for manufacture under the corporation's written license, no right is granted to reproduce this drawing or the subject matter thereof, unless by written agreement with or written permission from the corporation.

Arabian PCB Schematic Diagram

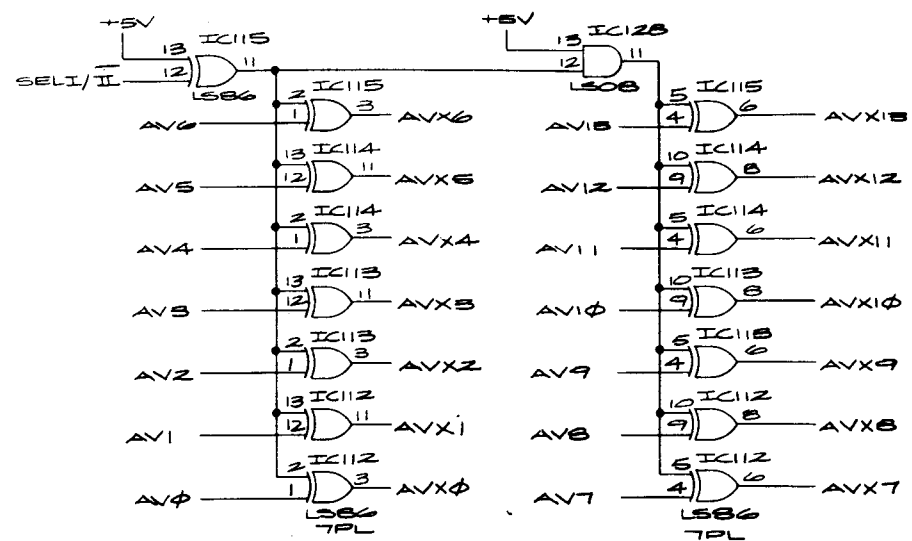


© ATARI INC. 1983

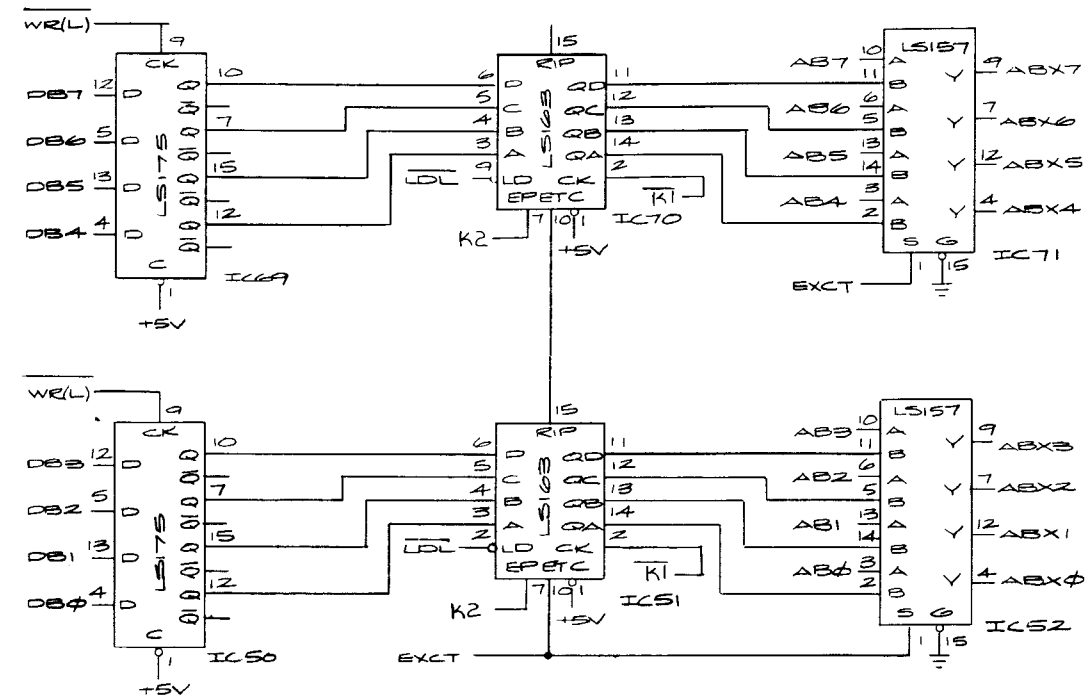
SP-237 Sheet 9A
1st printing

A Warner Communications Company

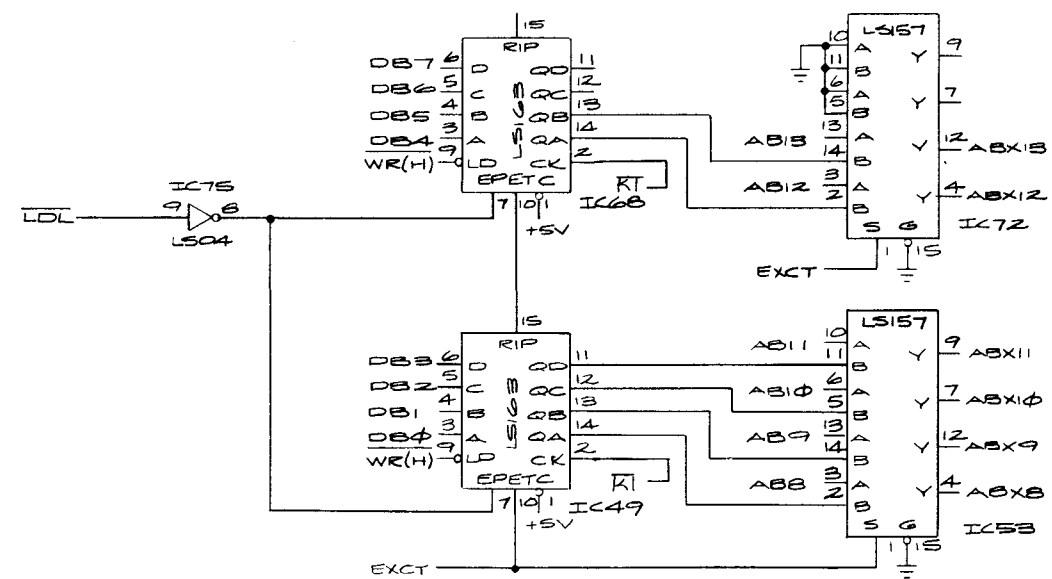
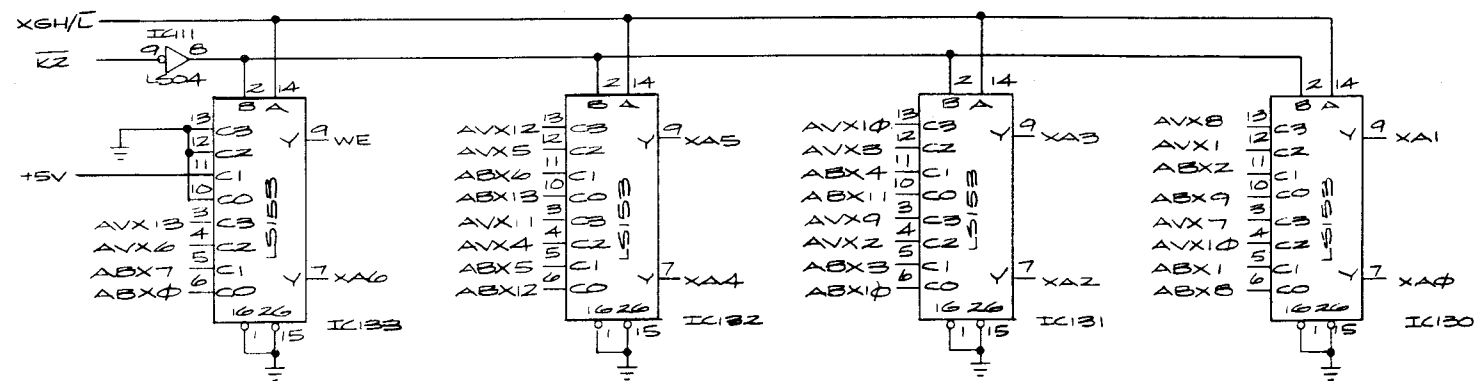
Dynamic RAM Flip Address Decoders



Dynamic RAM Address Decoders



Dynamic RAM Address Multiplexers



NOTICE TO ALL PERSONS RECEIVING THIS DRAWING

CONFIDENTIAL: Reproduction forbidden without the specific written permission of Atari, Inc., Sunnyvale, CA. This drawing is only conditionally issued, and neither receipt nor possession thereof confers or transfers any right in, or license to use, the subject matter of the drawing or any design or technical information shown thereon, nor any right to reproduce this drawing or any part thereof. Except for manufacture by vendors of Atari, Inc., and for manufacture under the corporation's written license, no right is granted to reproduce this drawing or the subject matter thereof unless by written agreement with or written permission from the corporation.

Arabian PCB Schematic Diagram

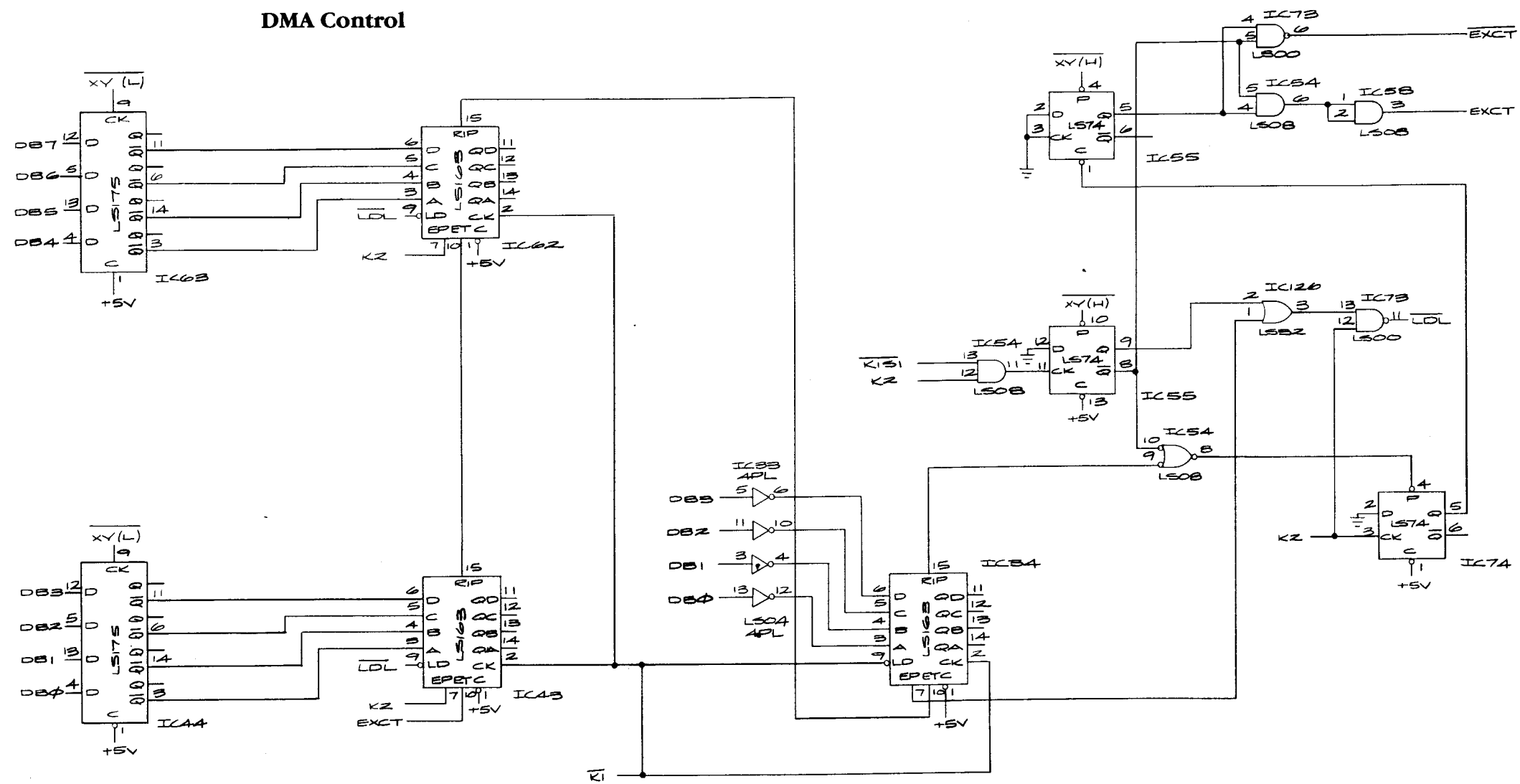


Warner Communications Company

© ATARI INC. 1983

SP-237 Sheet 9B
1st printing

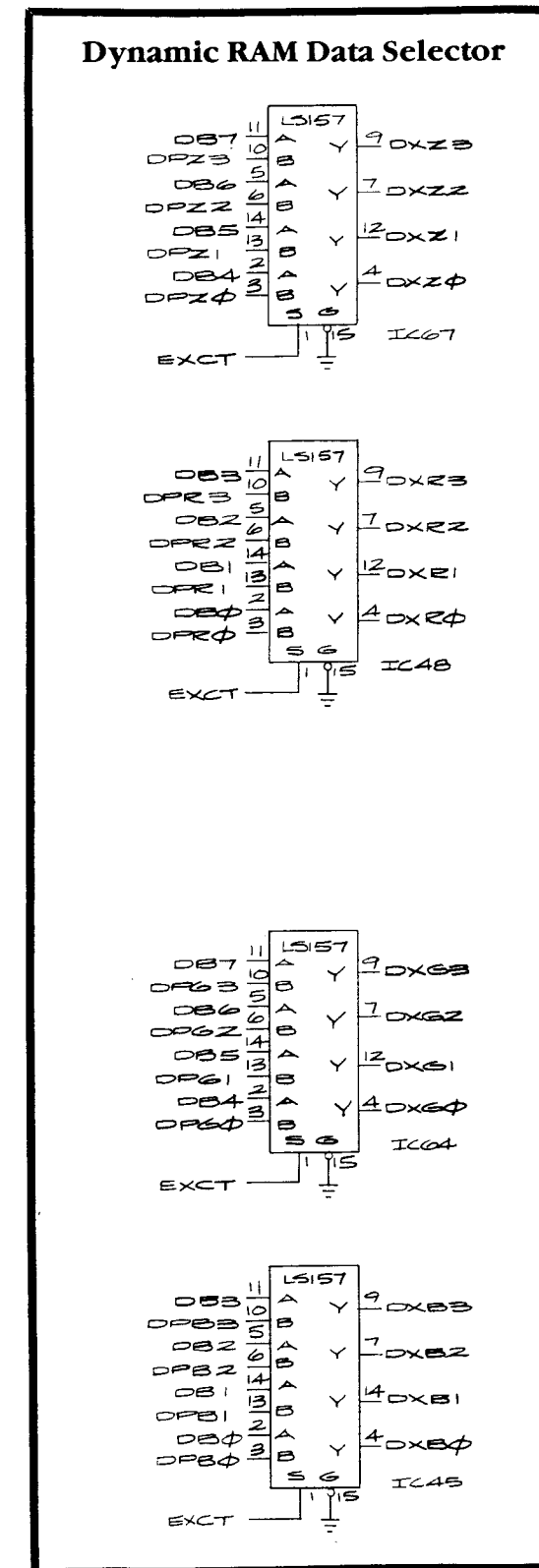
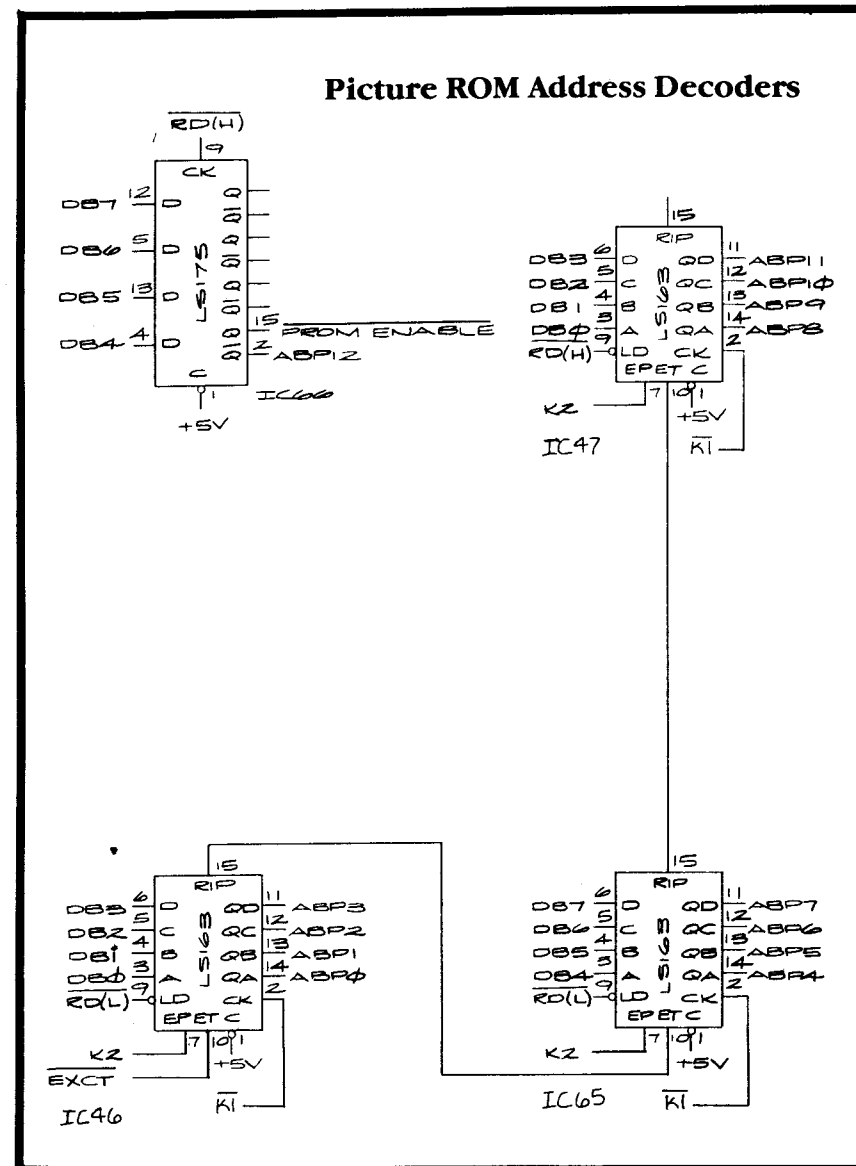
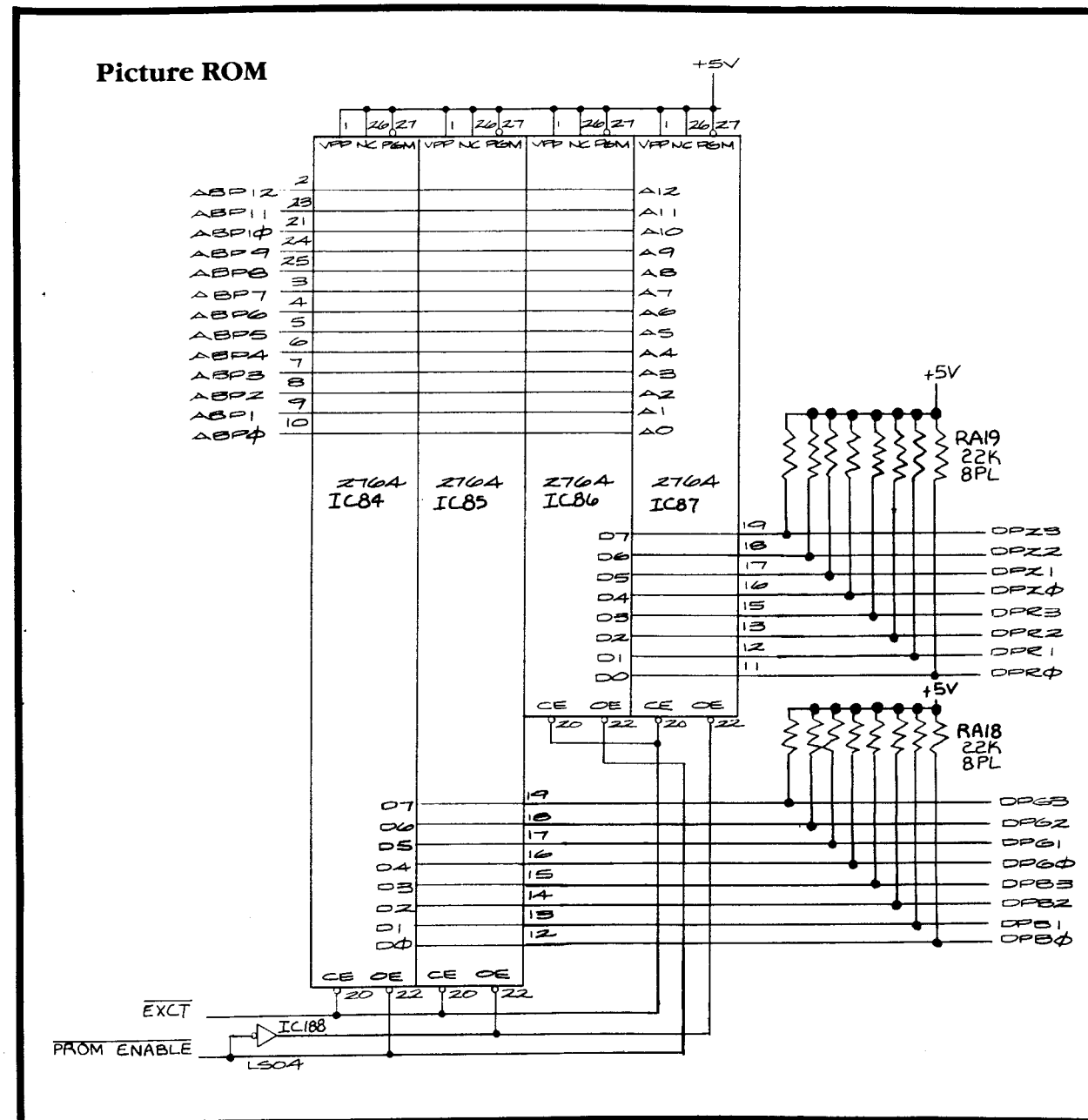
DMA Control



NOTICE TO ALL PERSONS RECEIVING THIS DRAWING
 CONFIDENTIAL: Reproduction forbidden without the specific written permission of Atari, Inc., Sunnyvale, CA. This drawing is only conditionally issued, and neither receipt nor possession thereof confers or transfers any right in, or license to use, the subject matter of the drawing or any design or technical information shown thereon, nor any right to reproduce this drawing or any part thereof. Except for manufacture by vendors of Atari, Inc., and for manufacture under the corporation's written license, no right is granted to reproduce this drawing or the subject matter thereof, unless by written agreement with or written permission from the corporation.

Arabian PCB Schematic Diagram





NOTICE TO ALL PERSONS RECEIVING THIS DRAWING
 CONFIDENTIAL: Reproduction forbidden without the specific written permission of Atari, Inc., Sunnyvale, CA. This drawing is only conditionally issued, and neither receipt nor possession thereof confers or transfers any right in, or license to use, the subject matter of the drawing or any design or technical information shown thereon, nor any right to reproduce this drawing or any part thereof. Except for manufacture by vendors of Atari, Inc., and for manufacture under the corporation's written license, no right is granted to reproduce this drawing or the subject matter thereof, unless by written agreement with or written permission from the corporation.

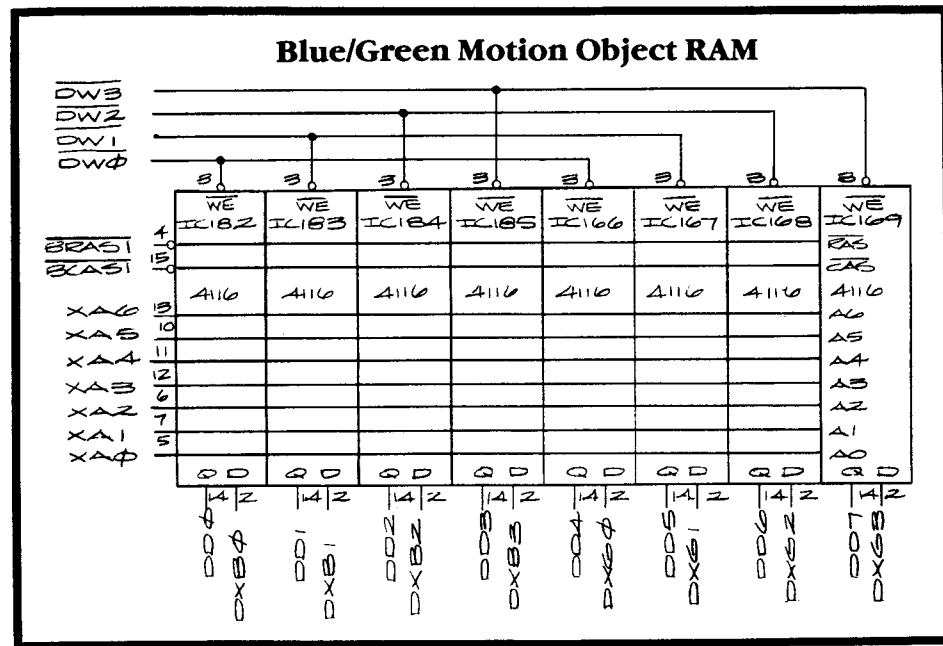
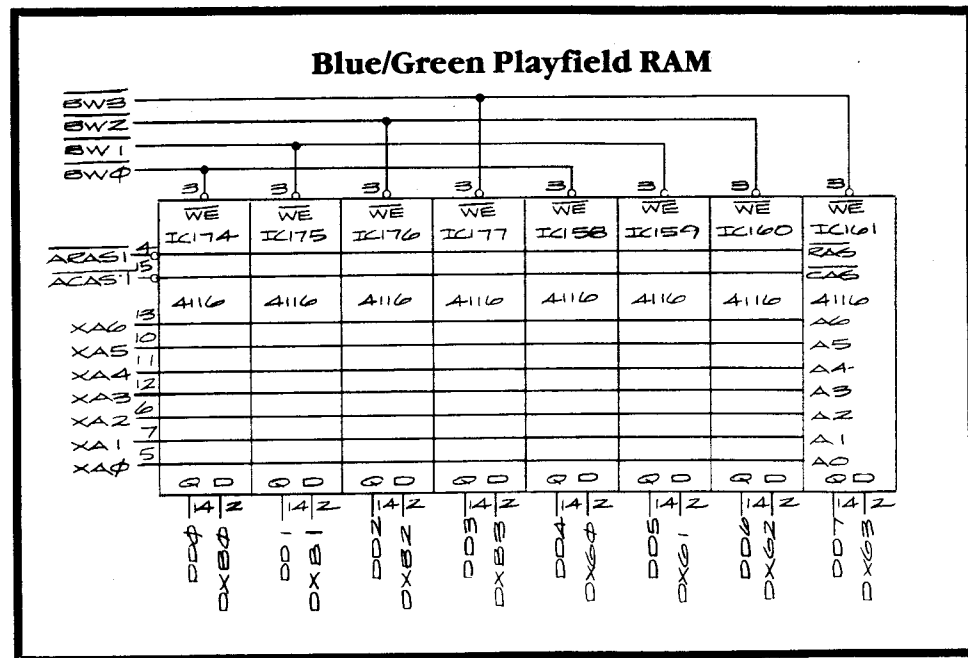
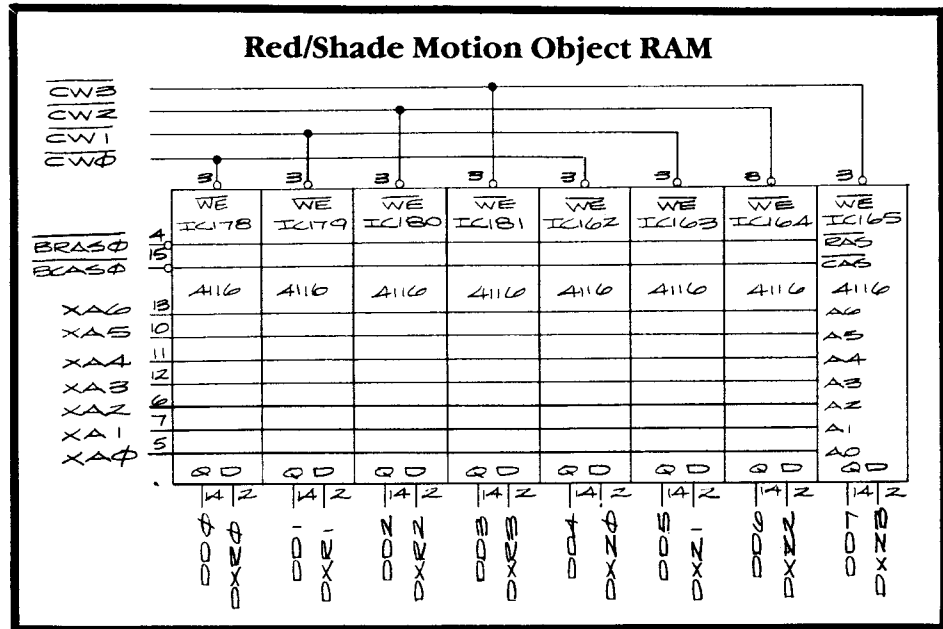
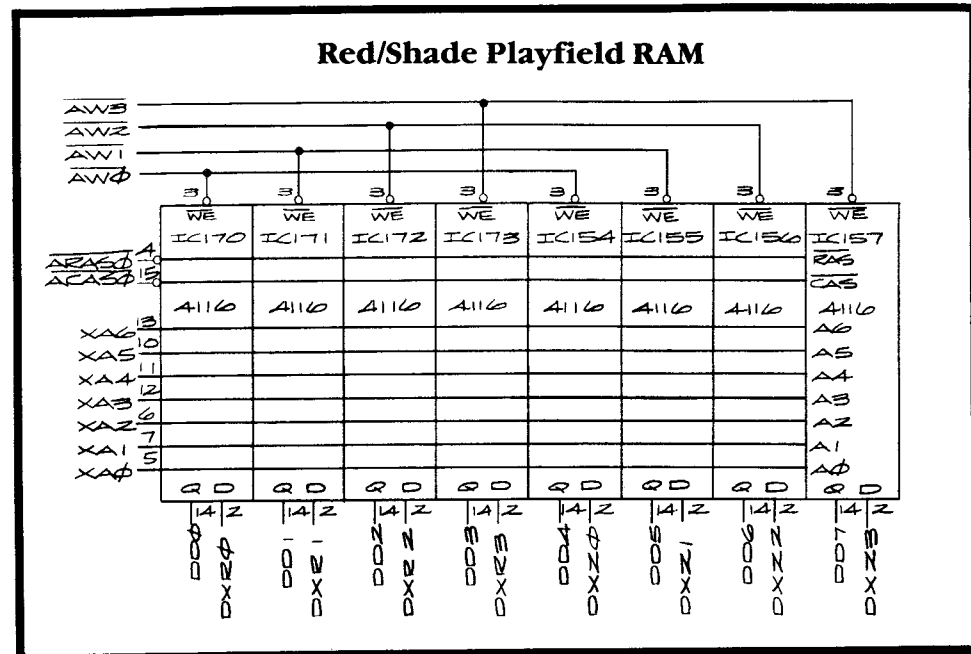
Arabian PCB Schematic Diagram



© ATARI INC. 1985

SP-237 Sheet 10B
1st printing

A Warner Communications Company



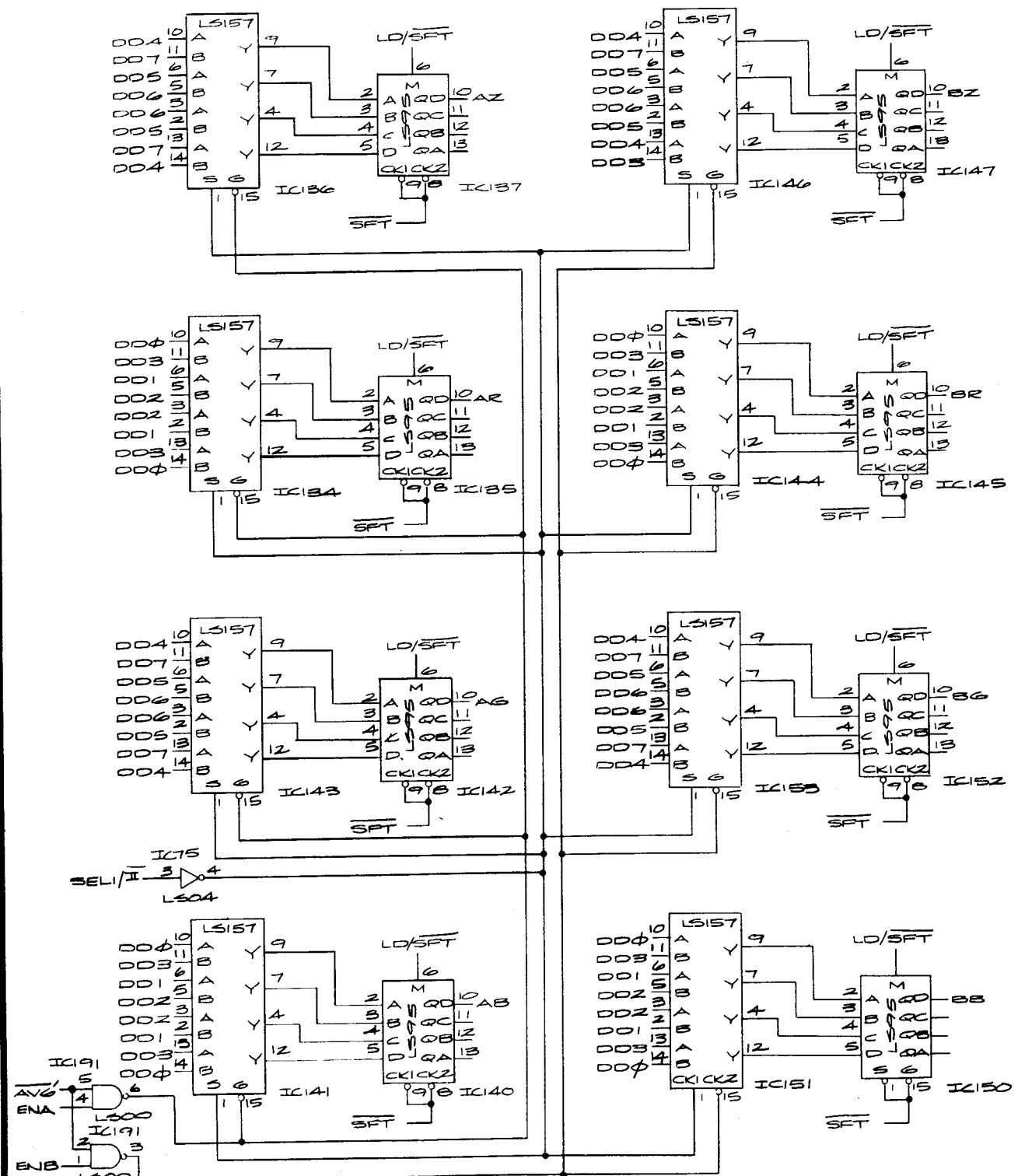
NOTICE TO ALL PERSONS RECEIVING THIS DRAWING
 CONFIDENTIAL. Reproduction forbidden without the specific written permission of Atari, Inc., Sunnyvale, CA. This drawing is only conditionally issued, and neither receipt nor possession thereof confers or transfers any right in, or license to use, the subject matter of the drawing or any design or technical information shown thereon, nor any right to reproduce this drawing or any part thereof. Except for manufacture by vendors of Atari, Inc., and for manufacture under the corporation's written license, no right is granted to reproduce this drawing or the subject matter thereof, unless by written agreement with or written permission from the corporation.

Arabian PCB Schematic Diagram

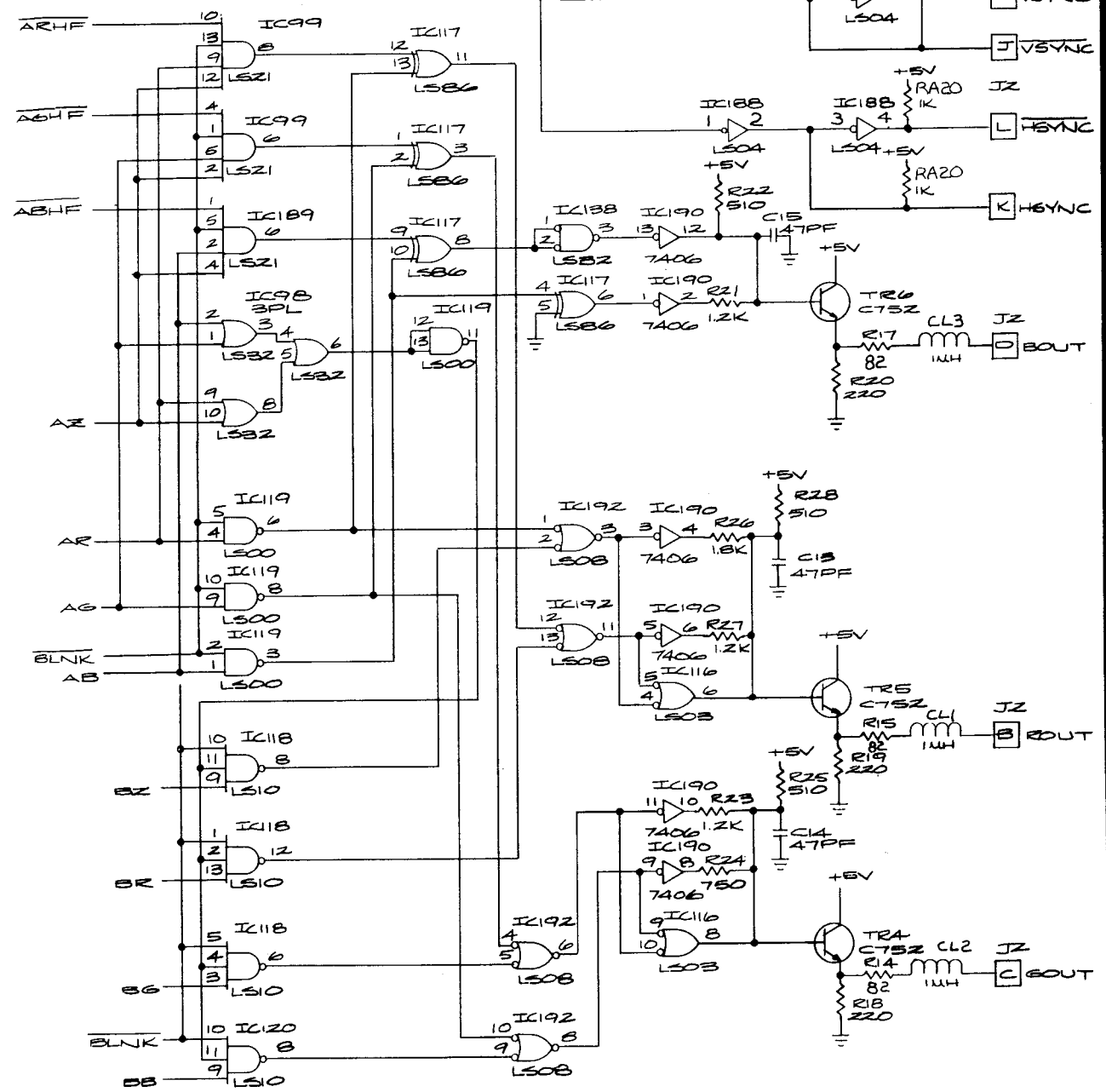
© ATARI INC. 1983

SP-237 Sheet 11A
1st printing

Video Output Decoders



Video Output



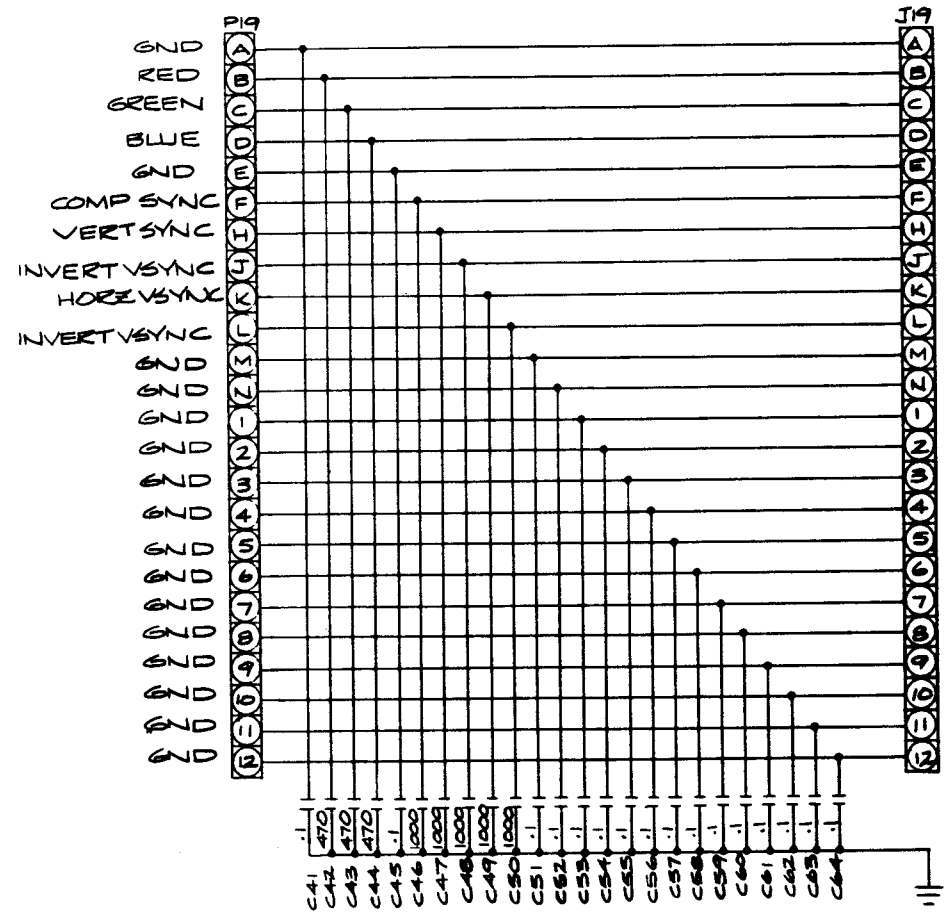
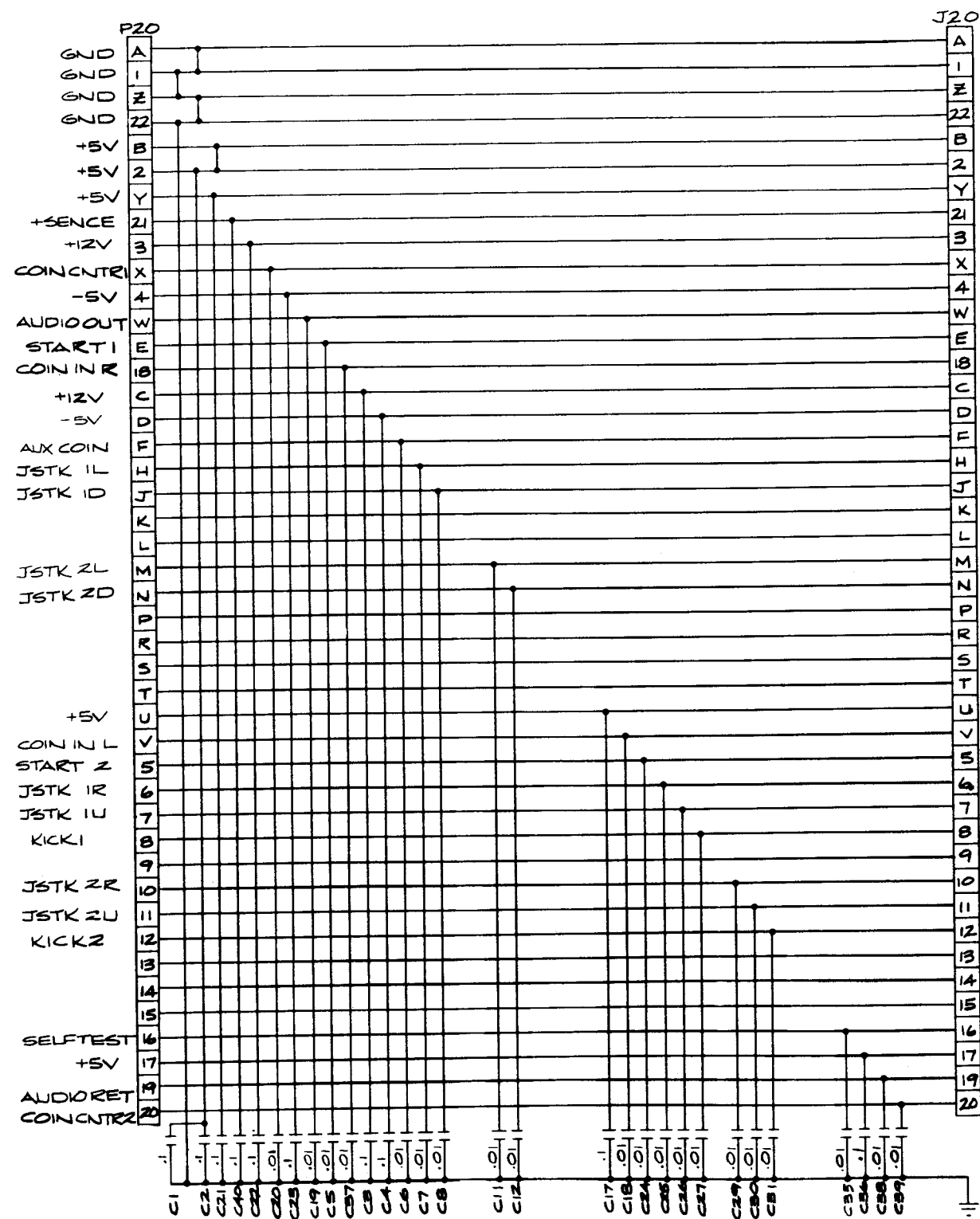
NOTICE TO ALL PERSONS RECEIVING THIS DRAWING
 CONFIDENTIAL: Reproduction forbidden without the specific written permission of Atari, Inc., Sunnyvale, CA. This drawing is only conditionally issued, and neither receipt nor possession thereof confers or transfers any right in, or license to use, the subject matter of the drawing or any design or technical information shown thereon, nor any right to reproduce this drawing or any part thereof. Except for manufacture by vendors of Atari, Inc., and for manufacture under the corporation's written license, no right is granted to reproduce this drawing or the subject matter thereof, unless by written agreement with or written permission from the corporation.

Arabic PCB Schematic Diagram

ATARI
 A Warner Communications Company

SP-237 Sheet 11B
 1st printing

© ATARI INC. 1983



NOTICE TO ALL PERSONS RECEIVING THIS DRAWING

CONFIDENTIAL: Reproduction forbidden without the specific written permission of Atari, Inc., Sunnyvale, CA. This drawing is only conditionally issued, and neither receipt nor possession thereof confers or transfers any right in, or license to use, the subject matter of the drawing or any design or technical information shown thereon, nor any right to reproduce this drawing or any part thereof. Except for manufacture by vendors of Atari, Inc., and for manufacture under the corporation's written license, no right is granted to reproduce this drawing or the subject matter thereof, unless by written agreement with or written permission from the corporation.

Arabian EMI Shield PCB Schematic Diagram



Warner Communications Company

© ATARI INC. 1983