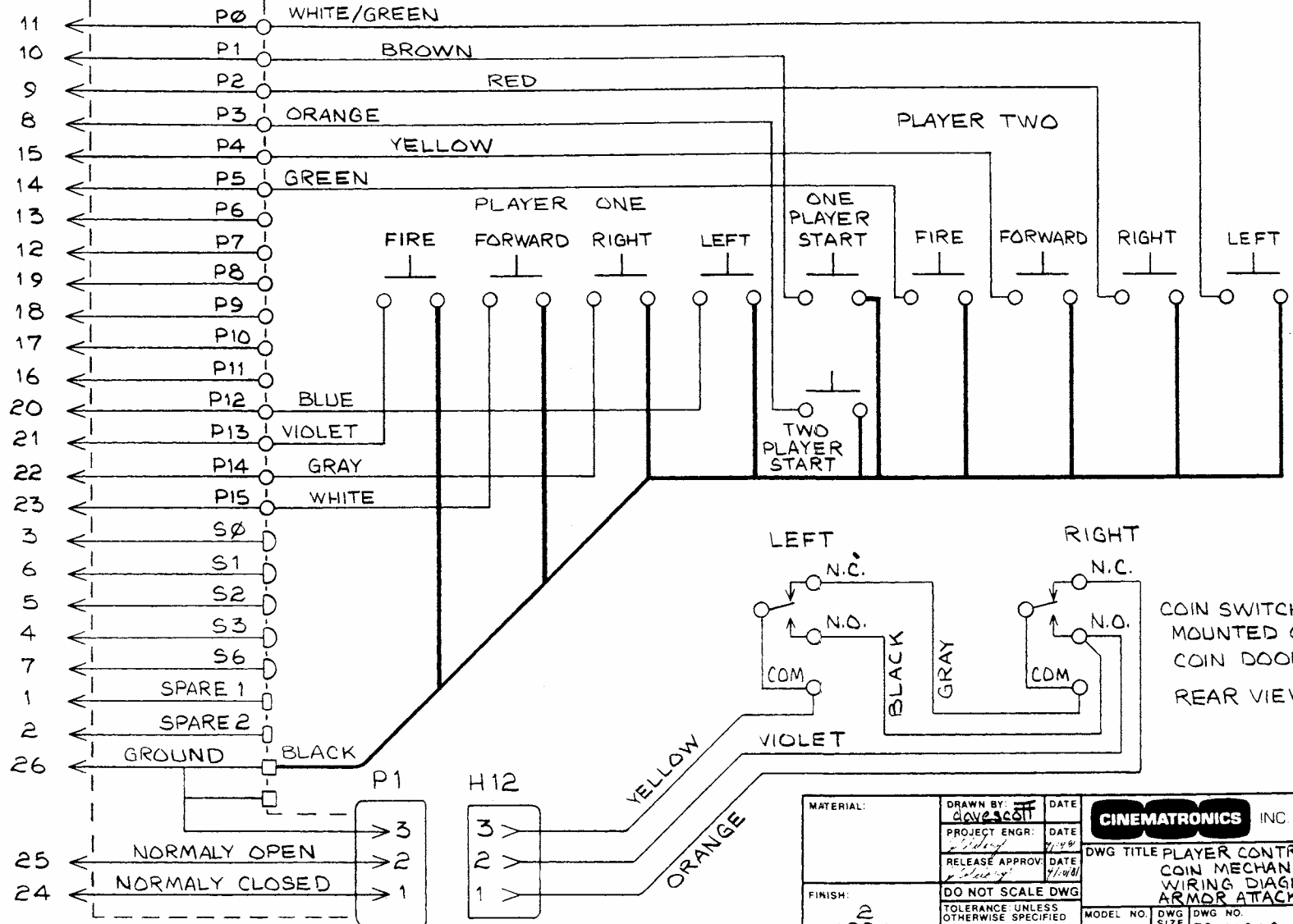


REVISIONS			
REV	DESCRIPTION	DATE	APPROVED

INTERCONNECT
P.C.B.

PLAYER CONTROL PANEL - REAR VIEW

J3
RIBBON CABLE TO C.P.U. P3
J3

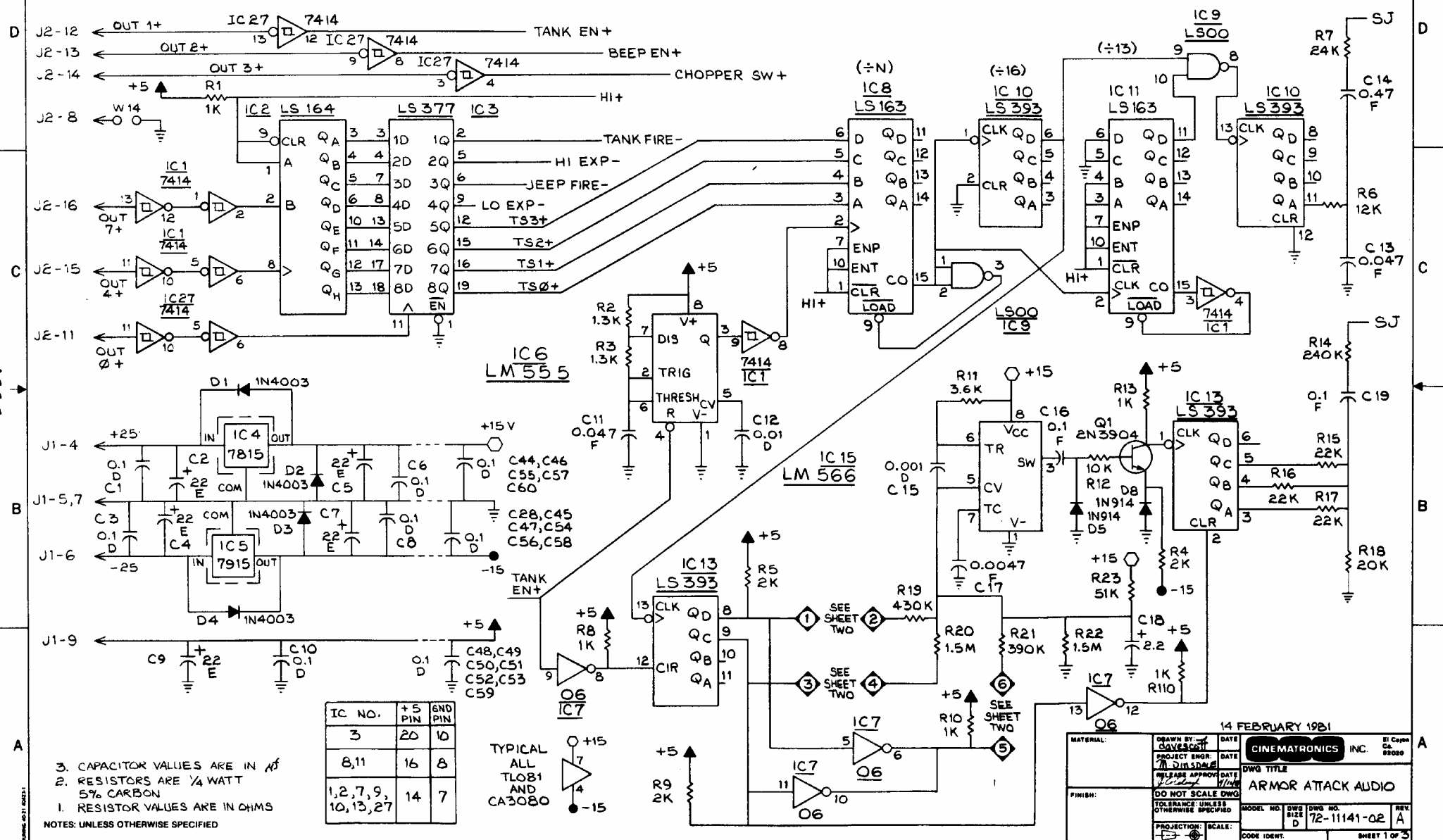


NOTES: UNLESS OTHERWISE SPECIFIED

MATERIAL:	DRAWN BY: <u>DAVE SCOTT</u>	DATE: <u>4/1/81</u>	CINEMATRONICS INC El Cajon Ca. 92020
	PROJECT ENGR: <u>[Signature]</u>	DATE: <u>4/1/81</u>	
FINISH: <u>2 APRIL 1981</u>	RELEASE APPROV: <u>[Signature]</u>	DATE: <u>4/1/81</u>	DWG TITLE: PLAYER CONTROL COIN MECHANISM WIRING DIAGRAM ARMOR ATTACK
	DO NOT SCALE DWG		
TOLERANCE UNLESS OTHERWISE SPECIFIED		MODEL NO. <u> </u>	DWG NO. <u>72-11209-02</u>
PROJECTION: <u> </u> SCALE: <u> </u>		DWG SIZE: <u>C</u>	REV: <u>A</u>
		CODE IDENT. <u> </u>	SHEET 1 OF 1

BRUNING 40-21 40423

REVISIONS			
REV	DESCRIPTION	DATE	APPROVED



IC NO.	+5 PIN	GND PIN
3	20	10
8, 11	16	8
1, 2, 7, 9, 10, 13, 27	14	7

TYPICAL
ALL TLOB1
AND CA3080

3. CAPACITOR VALUES ARE IN μ F
 2. RESISTORS ARE 1/4 WATT
5% CARBON
 1. RESISTOR VALUES ARE IN OHMS
- NOTES: UNLESS OTHERWISE SPECIFIED

14 FEBRUARY 1981

MATERIAL: DRAWN BY: DATE:

PROJECT ENGR: DATE:

RELEASE APPROV: DATE:

DO NOT SCALE DWG

TOLERANCE: UNLESS OTHERWISE SPECIFIED

PROJECTION: SCALE:

MODEL NO: DWG NO: DWG TITLE: **ARMOR ATTACK AUDIO**

CODE IDENT:

SI Corp. CA. 93020

72-11141-02 A

SHEET 1 OF 3

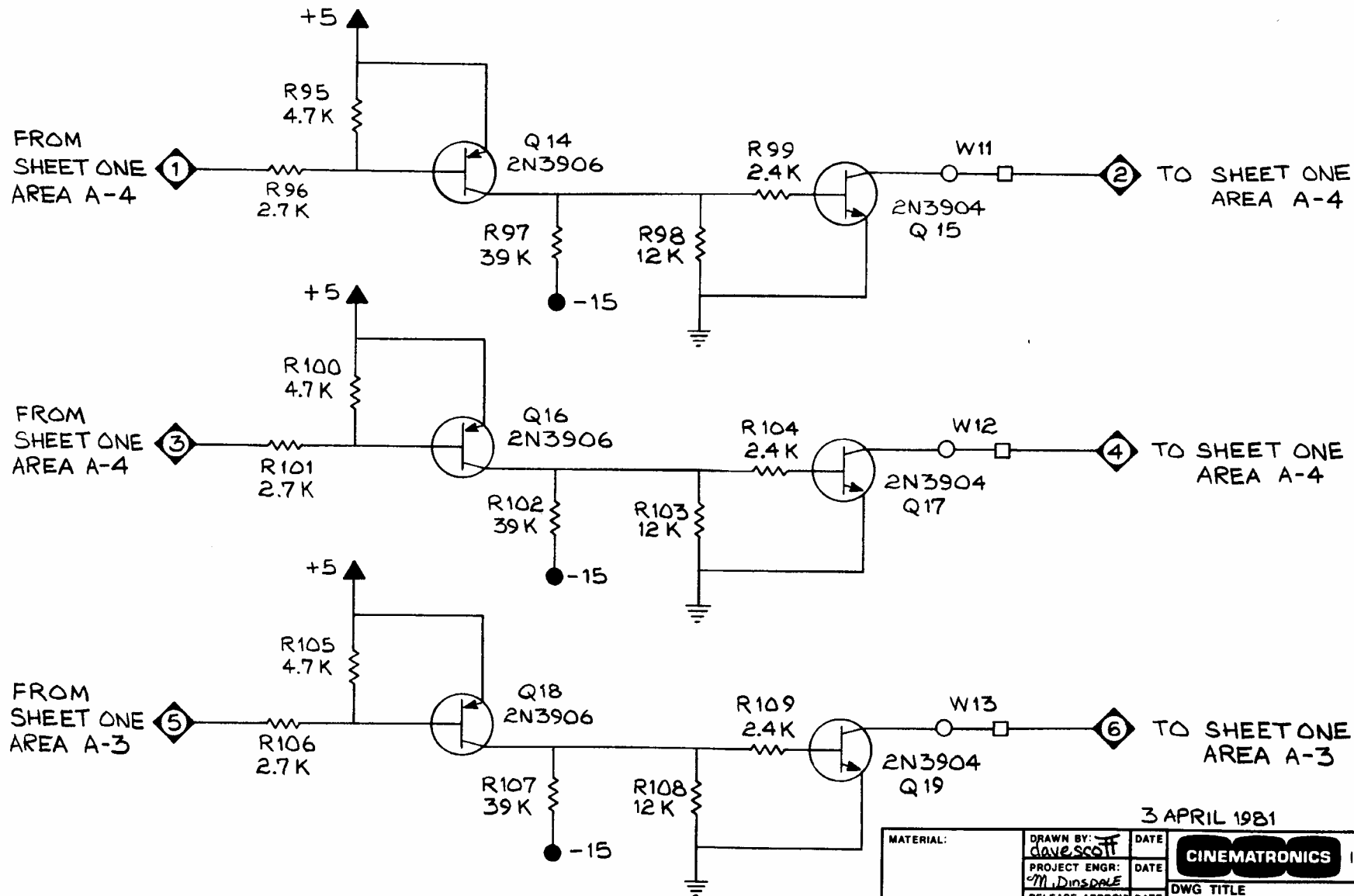
4

3

2

1

REVISIONS			
REV	DESCRIPTION	DATE	APPROVED



FROM SHEET ONE AREA A-4

FROM SHEET ONE AREA A-4

FROM SHEET ONE AREA A-3

TO SHEET ONE AREA A-4

TO SHEET ONE AREA A-4

TO SHEET ONE AREA A-3

3 APRIL 1981

MATERIAL:	DRAWN BY: <i>DAVE SCOTT</i>	DATE	CINEMATRONICS INC. El Cajon Ca. 92020
	PROJECT ENGR: <i>M. DINDSALE</i>	DATE	
FINISH:	RELEASE APPROV: <i>[Signature]</i>	DATE	DWG TITLE
	DO NOT SCALE DWG		ARMOR ATTACK AUDIO
TOLERANCE: UNLESS OTHERWISE SPECIFIED	MODEL NO.	DWG SIZE	DWG NO.
		C	72-11141-02
PROJECTION: $\begin{matrix} \square \\ \oplus \end{matrix}$	SCALE:	REV.	
		A	
		CODE IDENT.	SHEET 2 OF 3

NOTES: UNLESS OTHERWISE SPECIFIED

4

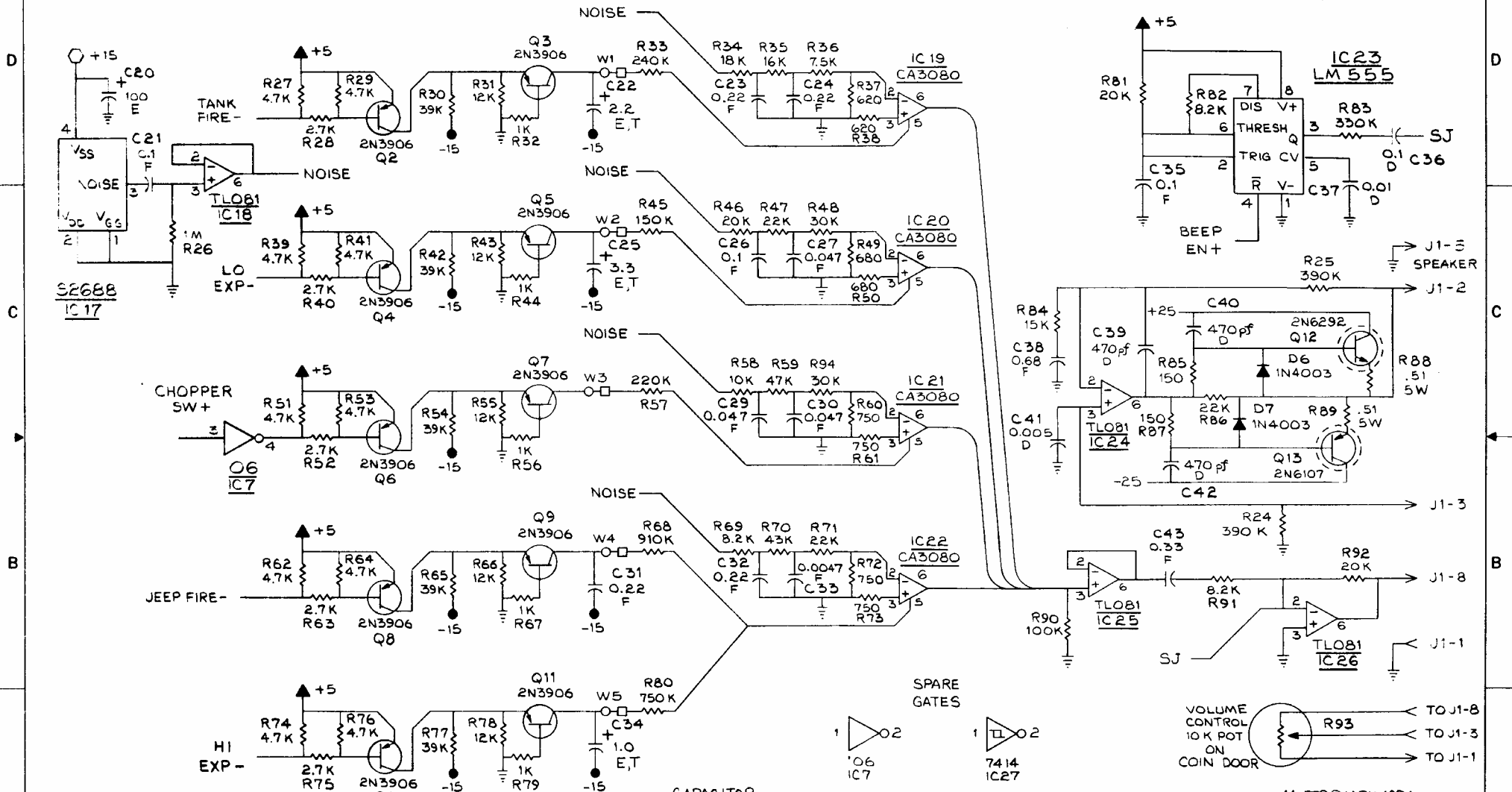
3

2

1

BRUNING 40-21 40423

REVISIONS			
REV	DESCRIPTION	DATE	APPROVED

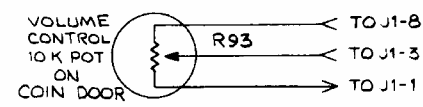
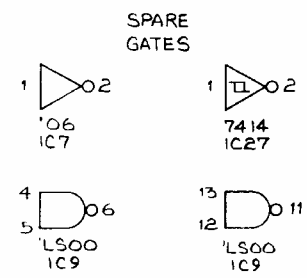


A1K2

XX=74XX
 REFERENCE DESIGNATORS DELETED
 IC 12, IC 14, IC 16, W6 THROUGH W10
 LAST REFERENCE DESIGNATORS USED
 R110 C60 Q19 D8 IC27 W14 J2

NOTES: UNLESS OTHERWISE SPECIFIED

CAPACITOR
 LEGEND
 E ELECTROLYTIC
 D DISC
 T TANTALUM
 F FILM



MATERIAL:		DRAWN BY: DATE		14 FEBRUARY 1981	
PROJECT ENGR: DATE		CINEMATRONICS INC		SI CASH CZ 9200	
RELEASE APPROV: DATE		DWG TITLE		ARMOR ATTACK AUDIO	
DO NOT SCALE DWG		TOLERANCE UNLESS OTHERWISE SPECIFIED		MODEL NO: DWG NO: 72-11141-02	
PROJECTION: SCALE:		CODE IDENT:		SHEET 5 OF 5	