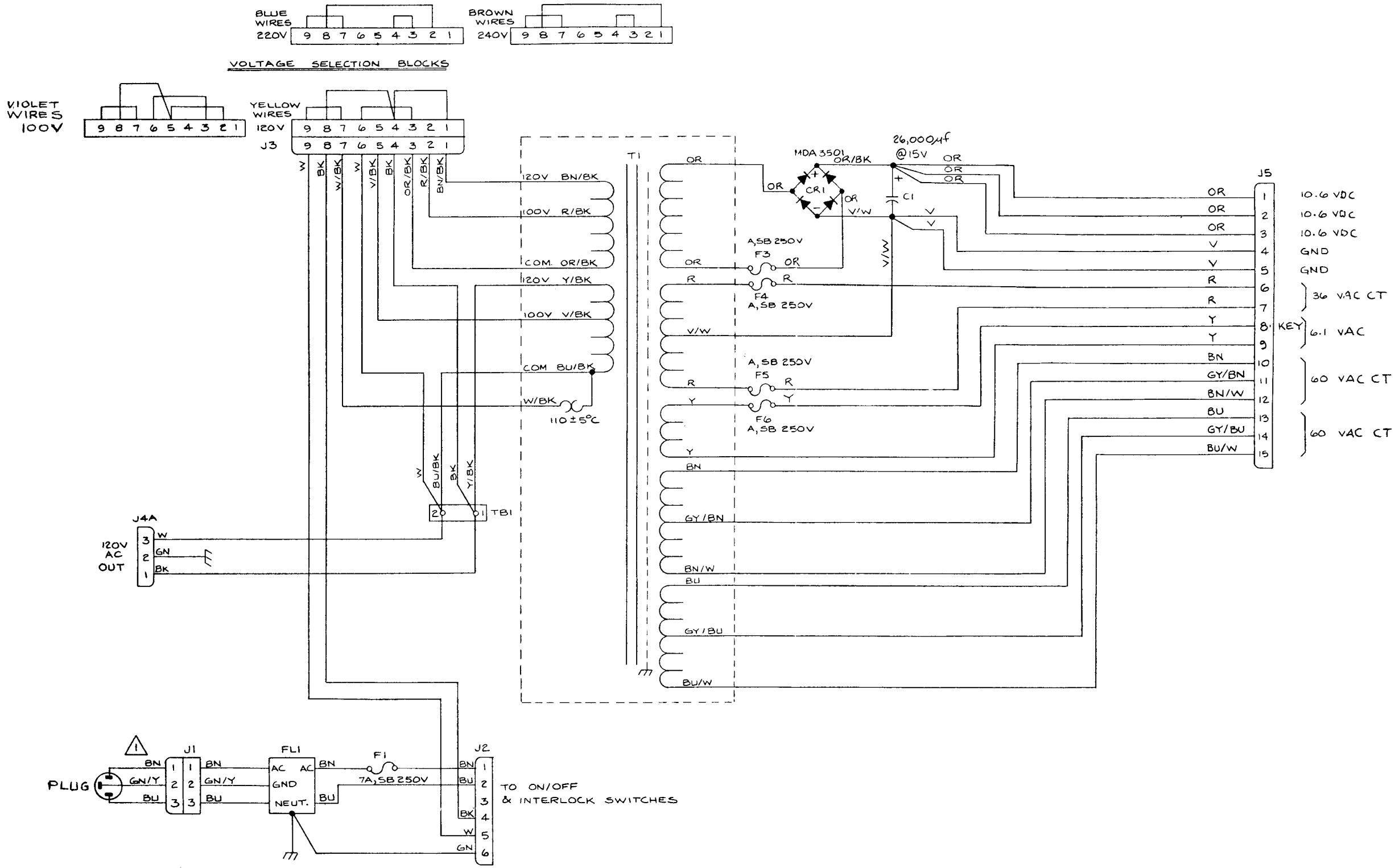
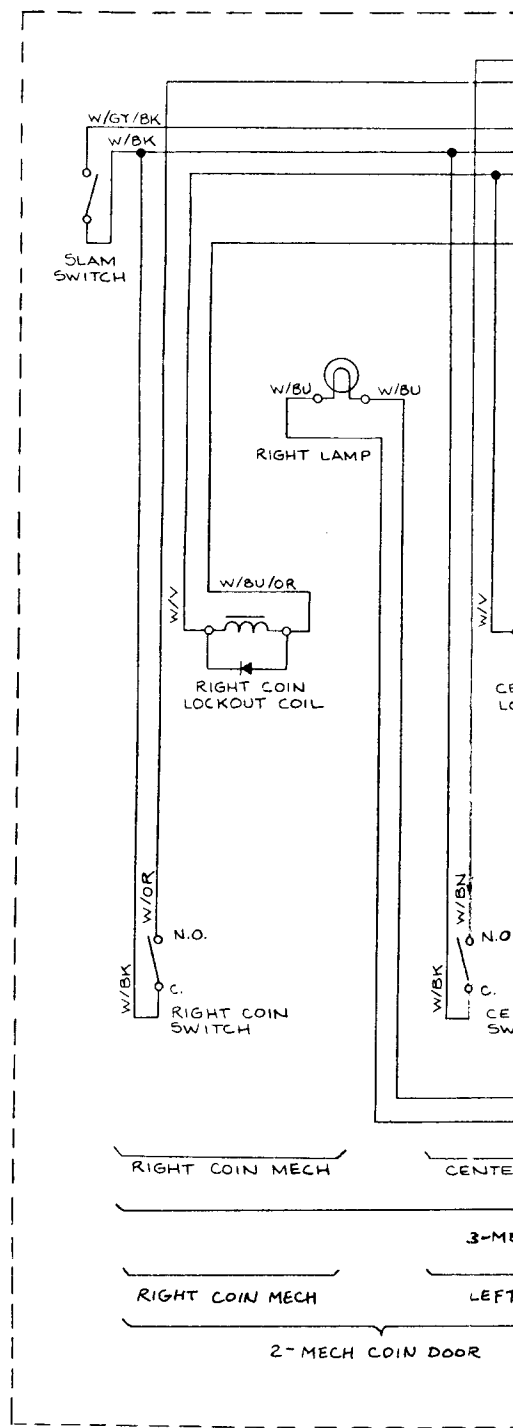


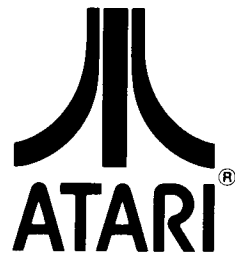
# INTERNATIONAL POWER SUPPLY SCHEMATIC (035887-01) A



# COIN DOOR SCHEMATIC



NOTICE TO ALL PERSONS RECEIVING THIS DRAWING  
 CONFIDENTIAL: Reproduction forbidden without the  
 specific written permission of Atari, Inc., Sunnyvale, CA.  
 This drawing is only conditionally issued, and neither  
 receipt nor possession thereof confers or transfers any  
 right in, or license to use, the subject matter of the drawing  
 or any design or technical information shown thereon,  
 nor any right to reproduce this drawing or any part  
 thereof. Except for manufacture by vendors of Atari, Inc.,  
 and for manufacture under the corporation's written  
 license, no right to reproduce this drawing is granted or  
 the subject matter thereof unless by written agreement  
 with or written permission from the corporation.



## Drawing Package Supplement

to

## BATTLEZONE™

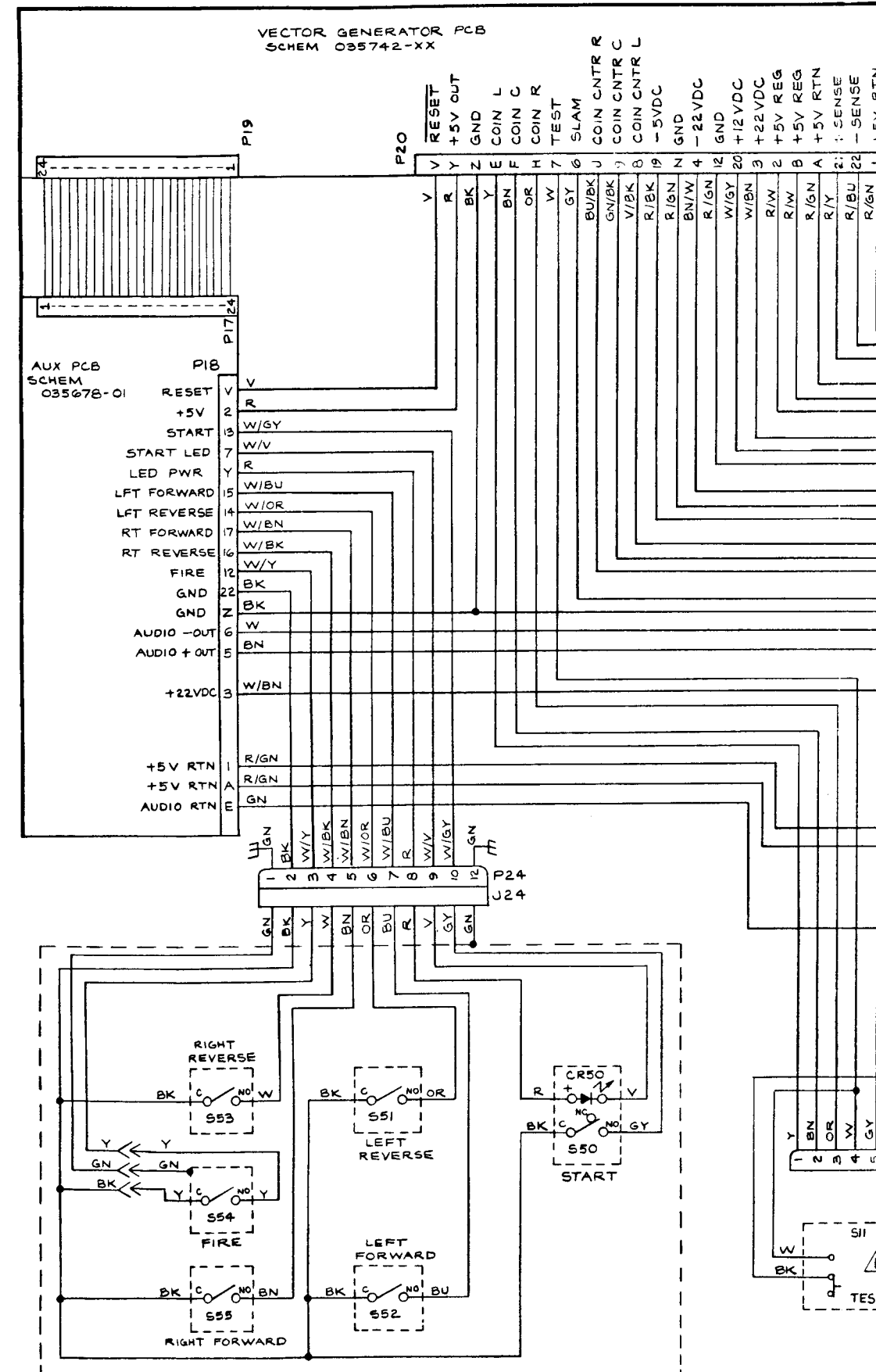
### Operation, Maintenance, and Service Manual

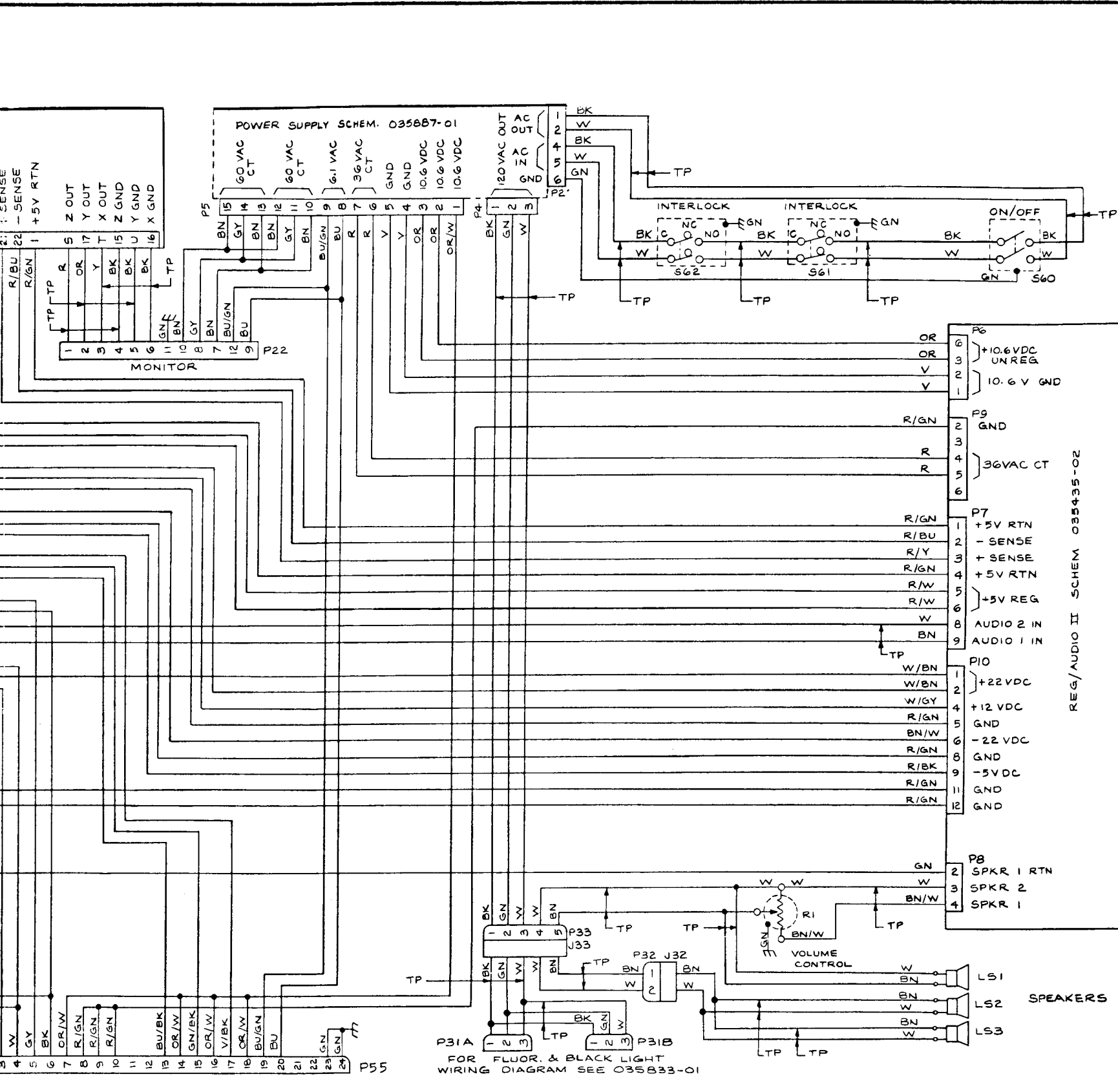
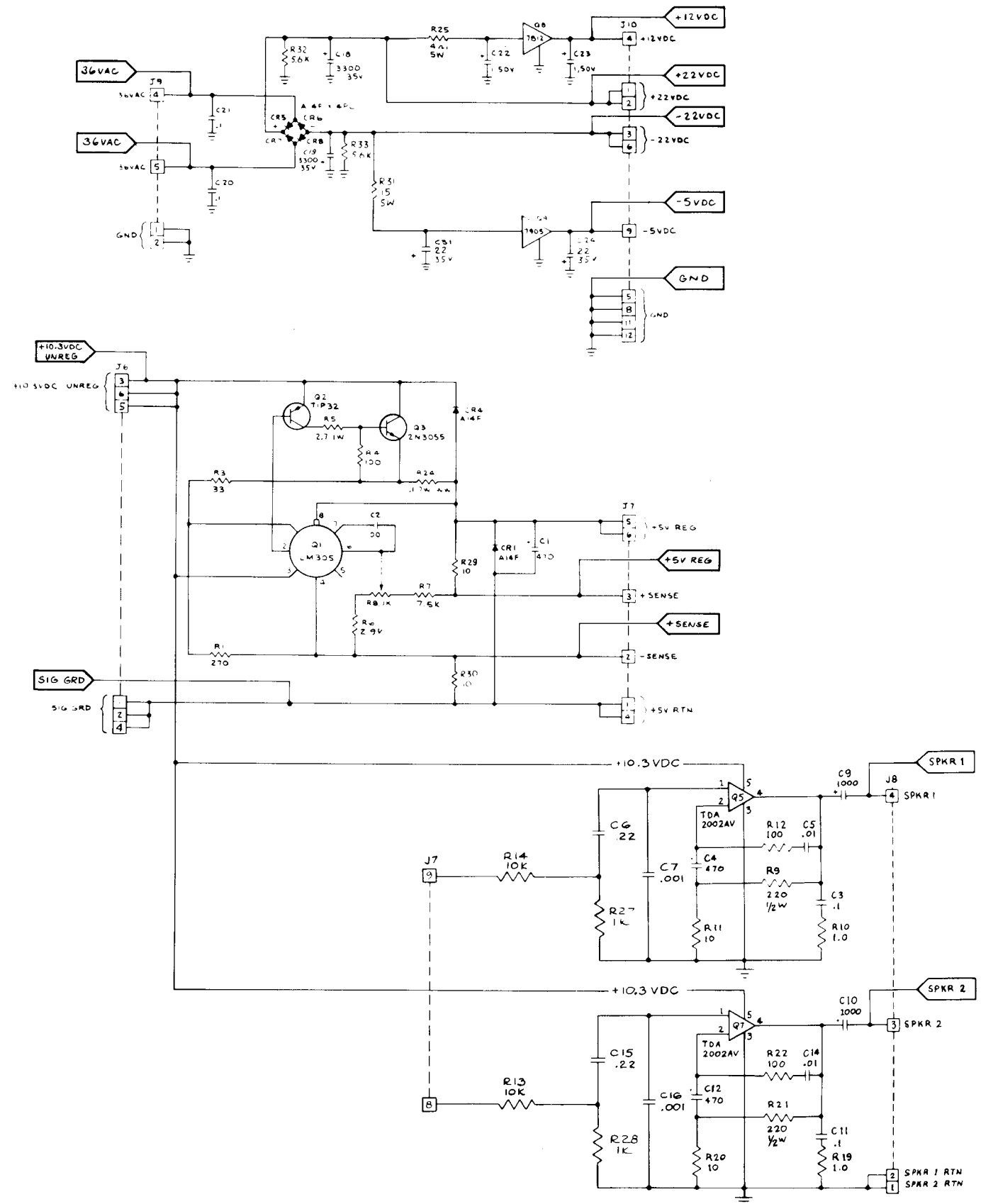
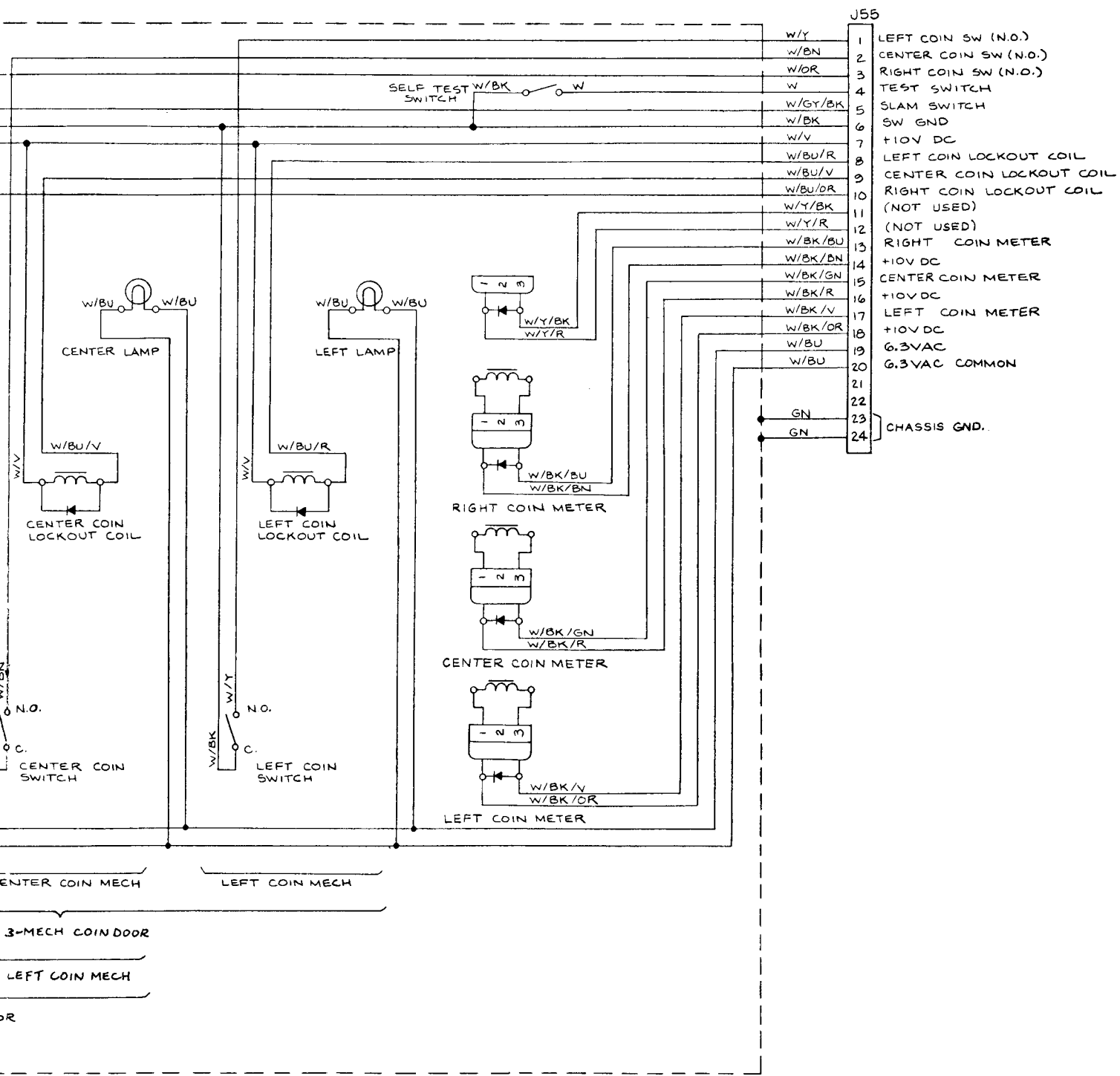
### Contents of this Drawing Package

- Game Coin Door and Power Supply Wiring Diagrams
- Math Box Signature Analysis Procedures
- Microprocessor
- Coin Door Inputs and Analog Vector-Generator Outputs
- Vector-Generator
- Auxiliary PCB Math Box, Switch Inputs and Audio Outputs

- Sheet 1, Side A
- Sheet 1, Side B
- Sheet 2, Side A
- Sheet 2, Side B
- Sheet 3, Side A
- Sheet 3, Side B

# BATTLEZONE WIRING DIAGRAM (036242-01) C





The Regulator/Audio PCB has the dual functions of regulating the +5 VDC logic power to the game PCB and amplifying the audio from the game PCB.

**Regulator Circuit**

The regulator consists of voltage regulator Q1, current source power transistor Q3 and Q3's bias transistor Q2. The regulator accurately regulates the logic power input to the game PCB by monitoring the voltage through high impedance inputs +SENSE and -SENSE. The inputs are directly from the +5 VDC and ground inputs to the game PCB. Therefore, the regulator regulates the voltage on the game PCB. This eliminates a reduced voltage due to IR buildup on the wire harness between the regulator and the game PCB. Variable resistor R8 is adjusted for the +5 VDC on the game PCB. Once adjusted, the voltage at the input of the game PCB will remain constant at this voltage.

**Regulator Adjustment**

1. Connect a voltmeter between +5 V and GND test points of the game PCB.
2. Adjust variable resistor R8 on the Regulator/Audio PCB for +5 VDC reading on the voltmeter.
3. Connect a voltmeter between +5 V REG and GND on the Regulator/Audio PCB. Voltage reading shall not be greater than +5.5 VDC. If greater, try cleaning edge connectors on both the game PCB and the Regulator/Audio PCB.
4. If cleaning PCB edge connectors doesn't decrease voltage difference, connect minus lead of voltmeter to GND test point of Regulator/Audio PCB and plus lead to GND test point of game PCB. Note the voltage. Now connect minus lead of voltmeter to +5 REG test point on Regulator/Audio PCB and plus lead to +5 V test point on game PCB. From this you can see which harness circuit is dropping the voltage. Troubleshoot the appropriate harness wire or harness connector.

**Audio Circuit**

The audio circuit contains two independent audio amplifiers. Each consists of a TDA2002AV amplifier with a gain of ten.

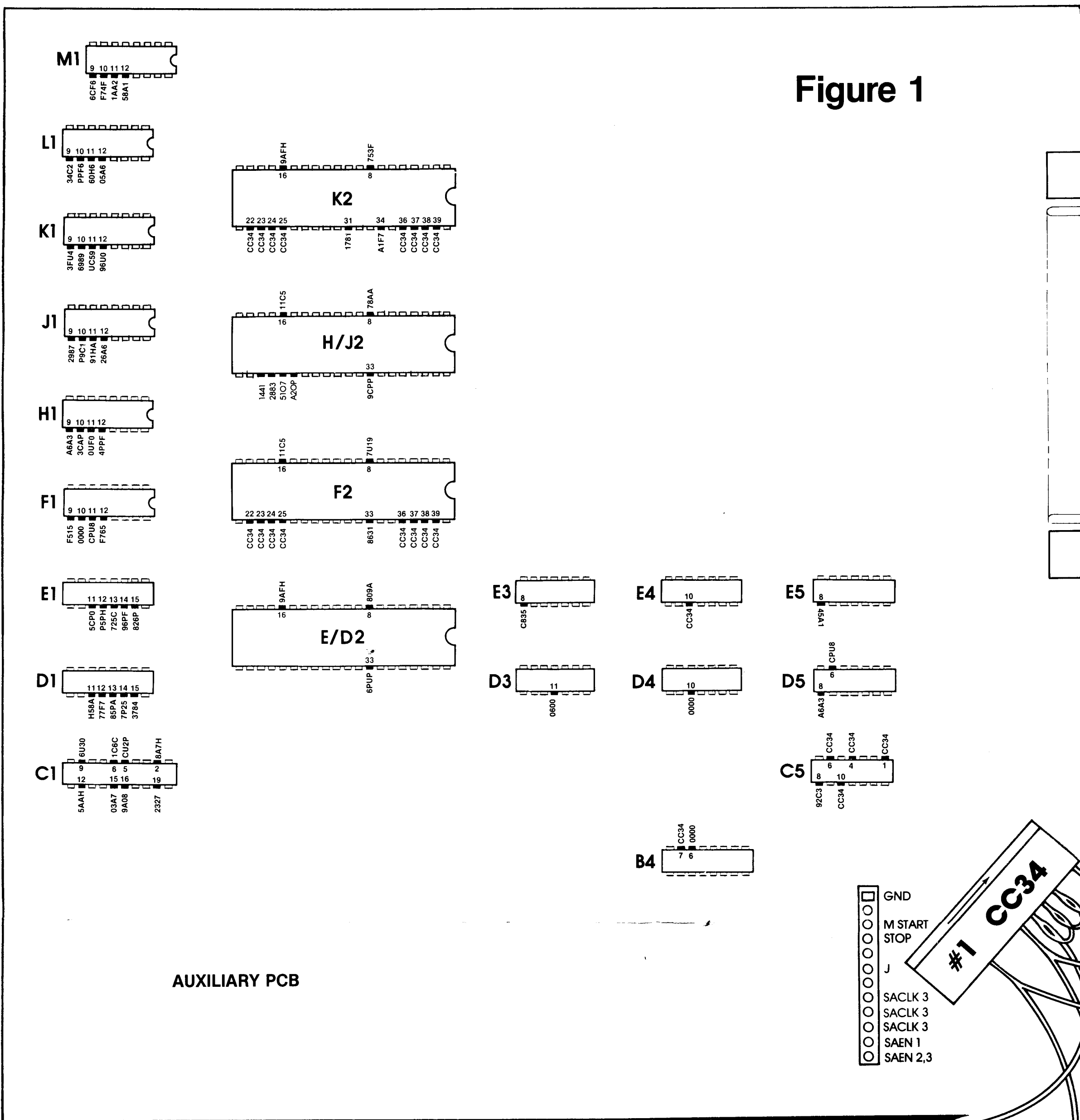
NOTE:  
 ⚠ USED WITH COIN DOOR ASSYS NOT EQUIPPED WITH TEST SWITCH.

**Figure 1**

**The Auxiliary PCB Math Box Circuit**

The Math Box Circuitry of the Battlezone Analog Vector-Generator PCB is connected to the Analog Vector-Generator PCB via a 16-pin connector. The Math Box Circuitry receives address signals from EAB4 (external address bus 0 thru 4) and provides address signals to EDB7 that results in the three-dimensional video game.

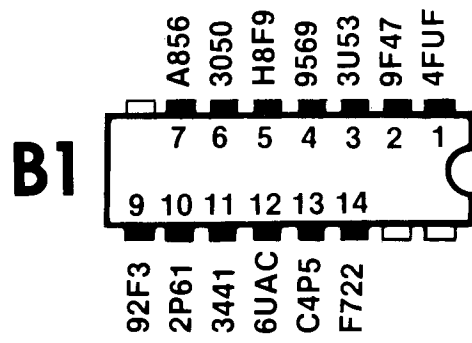
A second connector on the Auxiliary PCB connects to the signals of the signature analyzer (SA). This header harness connector that makes signature analysis



AUXILIARY PCB

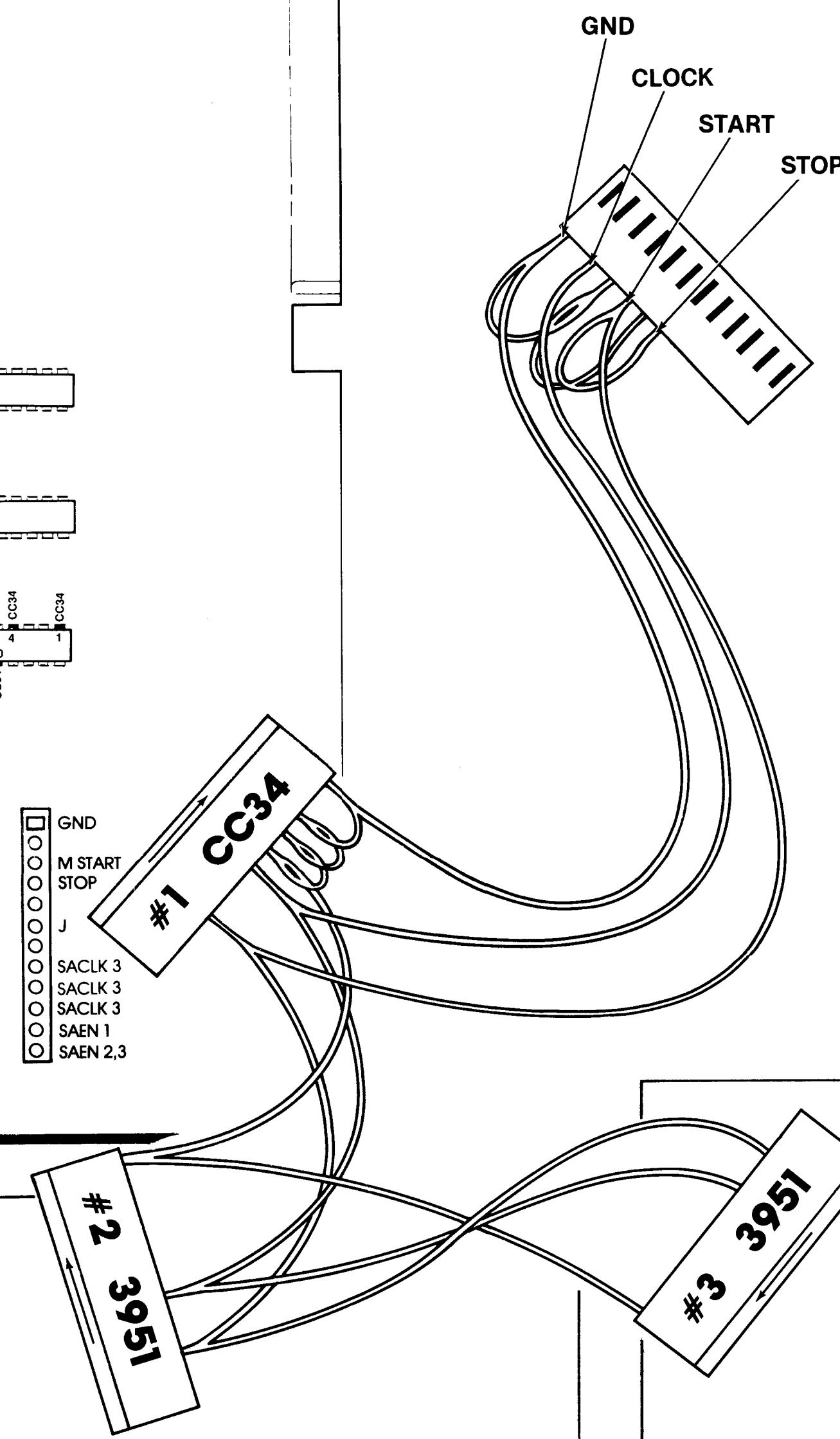
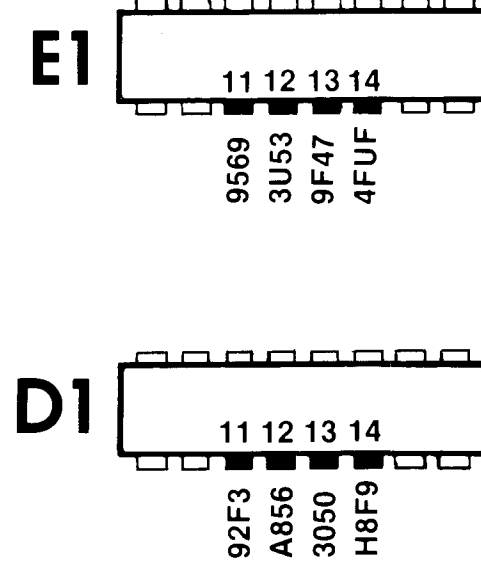
**Figure 2A**

PORTION OF AUXILIARY PCB



**Figure 2B**

PORTION OF AUXILIARY PCB



## Circuitry

Auxiliary PCB is connected to the PCB harness in the upper right-hand corner of the self-test video display indicates that the Math Box Circuitry does not answer the question in the amount of time expected. Therefore, a T indicates a Math Box Circuitry failure.

connects the control panel to the Auxiliary PCB. The control panel accepts a special connector which is extremely easy to use.

## Signature Analysis of the Math Box Circuitry

During the self-test procedure, the Math Box Circuitry is quizzed. The T displayed in the upper right-hand corner of the self-test video display indicates that the Math Box Circuitry does not answer the question in the amount of time expected. Therefore, a T indicates a Math Box Circuitry failure.

Due to the complexity of this circuitry, we offer signature analysis as a simple means of isolating failing circuits. Signatures for this circuitry are presented in two forms:

- 1) at the actual test points in the Auxiliary PCB Math Box Circuitry schematic diagram (on Sheet 3, Side B), and
- 2) for your convenience, on the detail drawing of the Auxiliary PCB to the left of this text.

Since the Analog Vector-Generator PCB must be connected to the Auxiliary PCB, you may take signatures while the PCBs are installed in the game.

The following is the procedure for signature analysis of the Math Box Circuitry of the Auxiliary PCB:

### A. Equipment Required:

1. Signature Analyzer (one of the following):

Atari C•A•T Computer-Assisted Troubleshooter. This is a signature analyzer and a RAM/ROM tester combined. For more information contact Atari, Inc., Field Service/Coin-Op Division, P.O. Box 427, Sunnyvale, CA 94086.

OR

Kurz-Kasch Signature II signature analyzer. For more information contact Kurz-Kasch, 711 Hunter Drive, Wilmington, Ohio 45117.

OR

Hewlett-Packard Model 5004A signature analyzer. For more information contact Hewlett-Packard, Scientific Instruments Div., 1501 Page Mill Road, Palo Alto, CA 94304.

For local dealers, check the Yellow Pages under "Electronic Equipment and Supplies."

## Figure 3

PORTION OF  
AUXILIARY PCB

H/J2

22 23 24 25

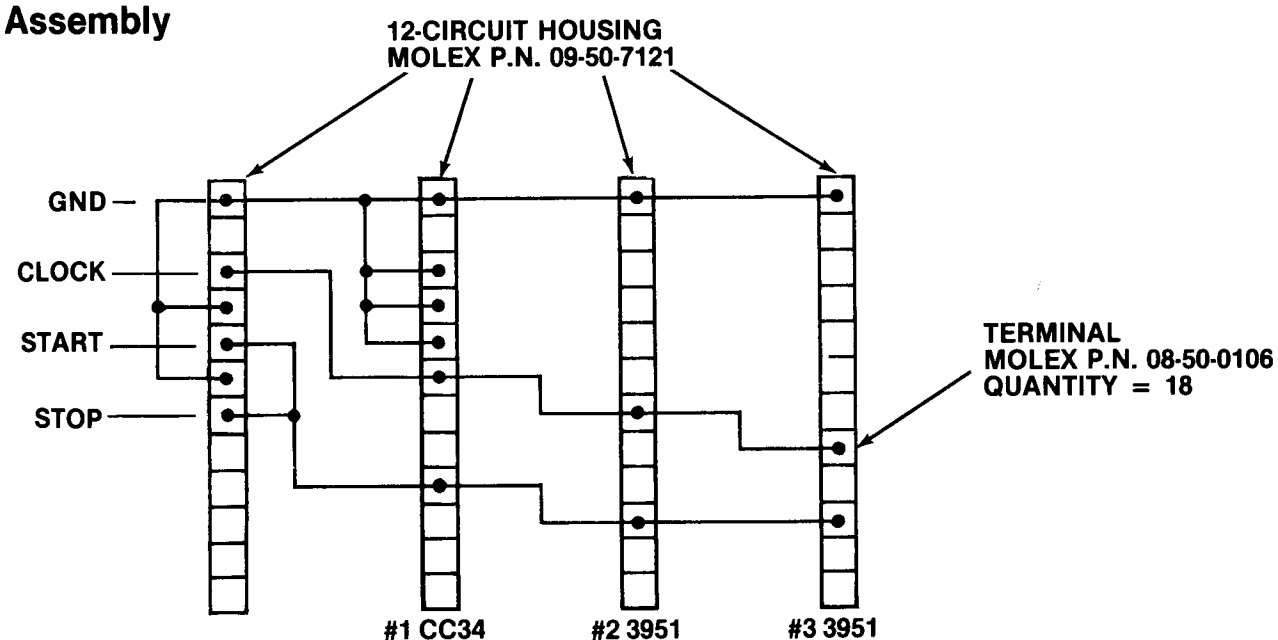
1441 2883 5107 A20P

E/D2

22 23 24 25

441H 883A 1074 20P9

## S.A. Harness Assembly



2. SA Harness Assembly:

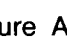

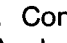
Atari part number A036836-01. You can make one of these yourself. Above is an illustration of its construction.

3. Three jumper wires with "hook" connectors on each end.
4. Pullup resistor as follows: 1K to 1.5K ohm, 1/4 watt resistor.

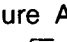

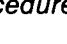
### B. Signature Analysis Setup Procedure

1. Connect Signature Analyzer to the matching pins of SA connector on the SA Harness assembly. In other words, GND should match up with GND, etc.
2. Set Self-Test Switch of Battlezone™ game to ON. After approximately three seconds, the TV monitor should display the self-test pattern.
3. Jumper top end of 1K-ohm resistor R129 (located immediately between and below C [center] and L [left] COIN test points) of Analog Vector-Generator PCB to ground five times, or until video display is blank. You will hear a short beep after the 5th grounding; also, the screen will display only a tiny dot in its center. **NOTE:** To avoid accidentally turning off the game by brushing against the interlock switch, we recommend putting tape over the switch.  
**Alternate:** Jumper pin 5 of Analog Vector-Generator PCB edge-connector J20 to ground five times, or until video display is blank.



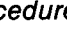
### C. Signature Analysis Test #1 Procedure

1. Plug SA Harness Assembly Test #1 connector onto Signal Analyzer header on Auxiliary PCB (the black wire on the connector should be at the top).
2. Connect a jumper between pin 1 of IC B6 on the Analog Vector-Generator PCB and ground. This places a continuous RESET to the microprocessor on the Analog Vector-Generator PCB.
3. Set Signature Analyzer START to , STOP to , and CLOCK to .
4. Connect a jumper wire to each end of a 1K to 1.5K-ohm resistor. Connect one jumper wire to +5V test point on Auxiliary PCB. Connect other jumper wire to the tip of the Signature Analyzer probe.
5. Verify that setup procedure was correct by probing (touching probe to) the +5V test point. The Signature Analyzer should indicate CC34. If not CC34, remove the jumper from pin 1 of IC B6. Return to B. Signature Analysis Setup Procedure and once again do step 3. If +5V is CC34, refer to G. Isolating a Failing Circuit.
6. Probe for signatures as shown in Figure 1 to the left. If all signatures are correct, continue with D. Signature Analysis Test #2A Procedure. If any signatures are incorrect, probe for signature of CC34 on +5V test point. If not CC34, remove jumper from pin 1 of IC B6. Return to B. Signature Analysis Setup Procedure and once again do step 3. If +5V is CC34, refer to G. Isolating a Failing Circuit.


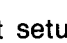
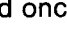
### D. Signature Analysis Test #2A Procedure

1. Remove 1K to 1.5K-ohm jumper wire from Signature Analyzer probe.
2. Plug SA Harness Assembly Test #2 connector onto Signature Analyzer header on Auxiliary PCB.
3. Remove jumper from pin 1 of IC B6 on the Analog Vector-Generator PCB.
4. Set Signature Analyzer START to , STOP to , and CLOCK to .
5. Verify that setup procedure was correct by probing +5V for a signature of 3951. If not 3951, return to B. Signature Analysis Setup Procedure and once again do step 3, then return to this step.
6. Probe for signatures as shown in Figure #2A to the left. If all signatures are correct, continue with E. Signature Analysis Test #2B Procedure. If a signature is incorrect, refer to G. Isolating a Failing Circuit.

### E. Signature Analysis Test #2B Procedure

1. Make sure the SA Harness Assembly Test #2 connector is plugged onto Signature Analyzer header on Auxiliary PCB.
2. Make sure jumper is removed from pin 1 of IC B6 on the Analog Vector-Generator PCB.
3. Set Signature Analyzer START to , STOP to , and CLOCK to .
4. Verify that setup procedure was correct by probing +5V for a signature of 3951. If not 3951, return to B. Signature Analysis Setup Procedure and once again do step 3, then return to this step.
5. Probe for signatures as shown in Figure #2B to the left. If all signatures are correct, continue with F. Signature Analysis Test #3 Procedure. If a signature is incorrect, refer to G. Isolating a Failing Circuit.

### F. Signature Analysis Test #3 Procedure

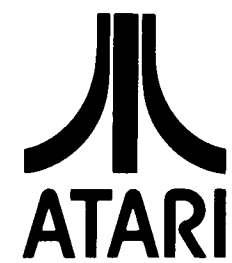
1. Plug SA Harness Assembly Test #3 connector onto Signature Analyzer header on Auxiliary PCB.
2. Make sure jumper is removed from pin 1 of IC B6 on the Analog Vector-Generator PCB.
3. Set Signature Analyzer START to , STOP to , and CLOCK to .
4. Verify that setup procedure was correct by probing +5V for 3951. If not 3951, return to B. Signature Analysis Setup Procedure and once again do step 3, then return to this step.
5. Probe for signatures as shown in Figure #3 to the left. If all signatures are correct, then Math Box Circuitry of Analog Vector-Generator PCB is OK.

### G. Isolating a Failing Circuit

If you find an incorrect signature, find the signature test point of the Math Box Circuitry on Sheet 3, Side B. Locate the IC from which the signature is being output. Check all inputs of that IC.

**If all input signatures are correct:** Remove the Auxiliary PCB from the circuit. Check the circuit traces common to the failing IC pin on both the top and bottom of the PCB for shorts to another circuit trace. If the circuit traces are not shorted, then replace the failing IC.

**If an input signature is incorrect:** Locate on the schematic the IC source of the failing signature. Check the input signatures of that IC. If all input signatures are correct, then that is the failing IC. If this IC has a failing input signature, then continue "upstream" in the circuit flow until the failing IC is isolated.



ATARI®  
Sheet 1, Side B  
BATTLEZONE™

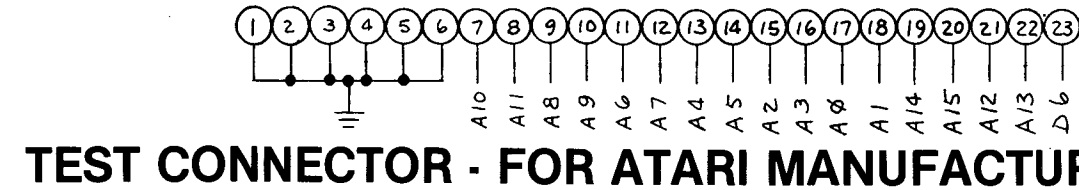
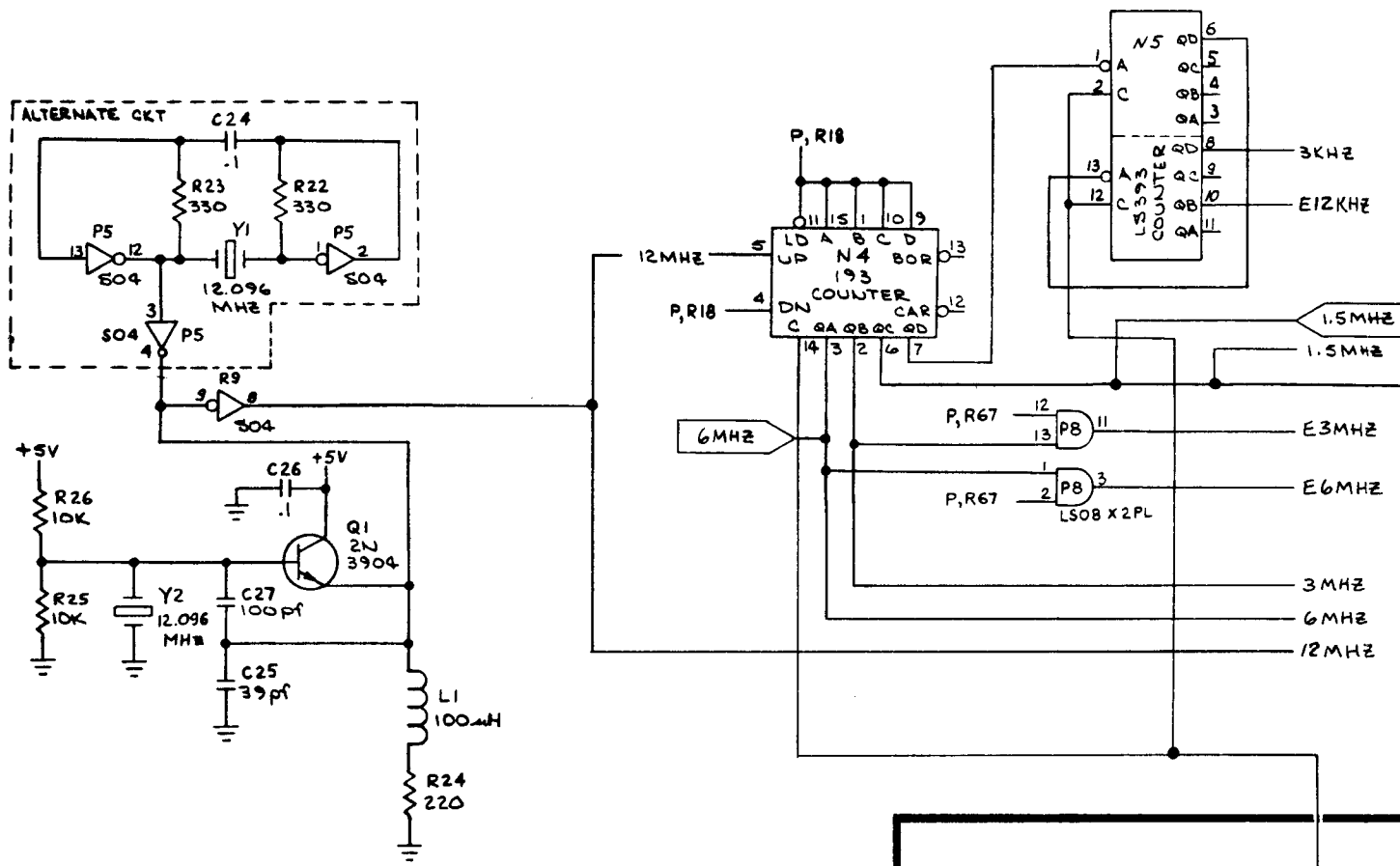
Auxiliary PCB

Signature Analysis Procedure

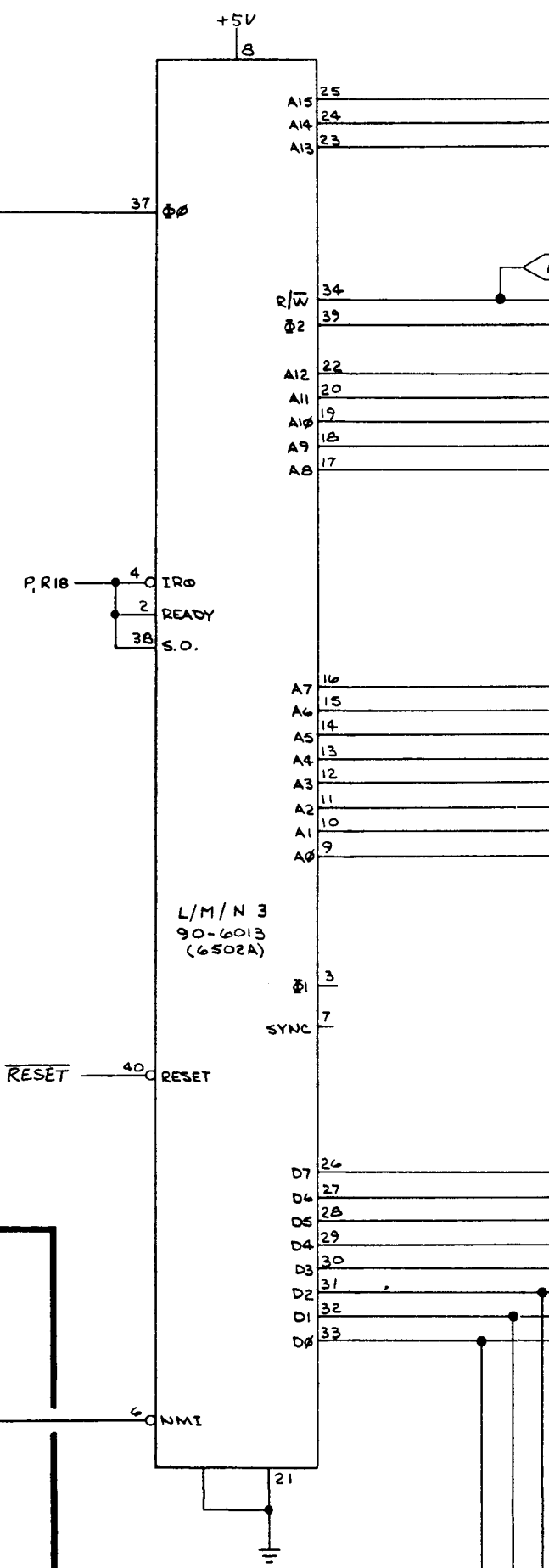
Section of 035678-01 B

NOTICE TO ALL PERSONS RECEIVING THIS DRAWING  
CONFIDENTIAL. Reproduction forbidden without the  
specific written permission of Atari, Inc., Sunnyvale, CA.  
This drawing is only conditionally issued, and neither  
receipt nor possession thereof confers or transfers any  
right in, or license to use, the subject matter of the drawing  
or any design or technical information shown thereon,  
nor any right to reproduce this drawing or any part  
thereof. Except for manufacture by vendors of Atari, Inc.,  
and for manufacture under the corporation's written  
license, no right to reproduce this drawing is granted or  
the subject matter thereof unless by written agreement  
with or written permission from the corporation.

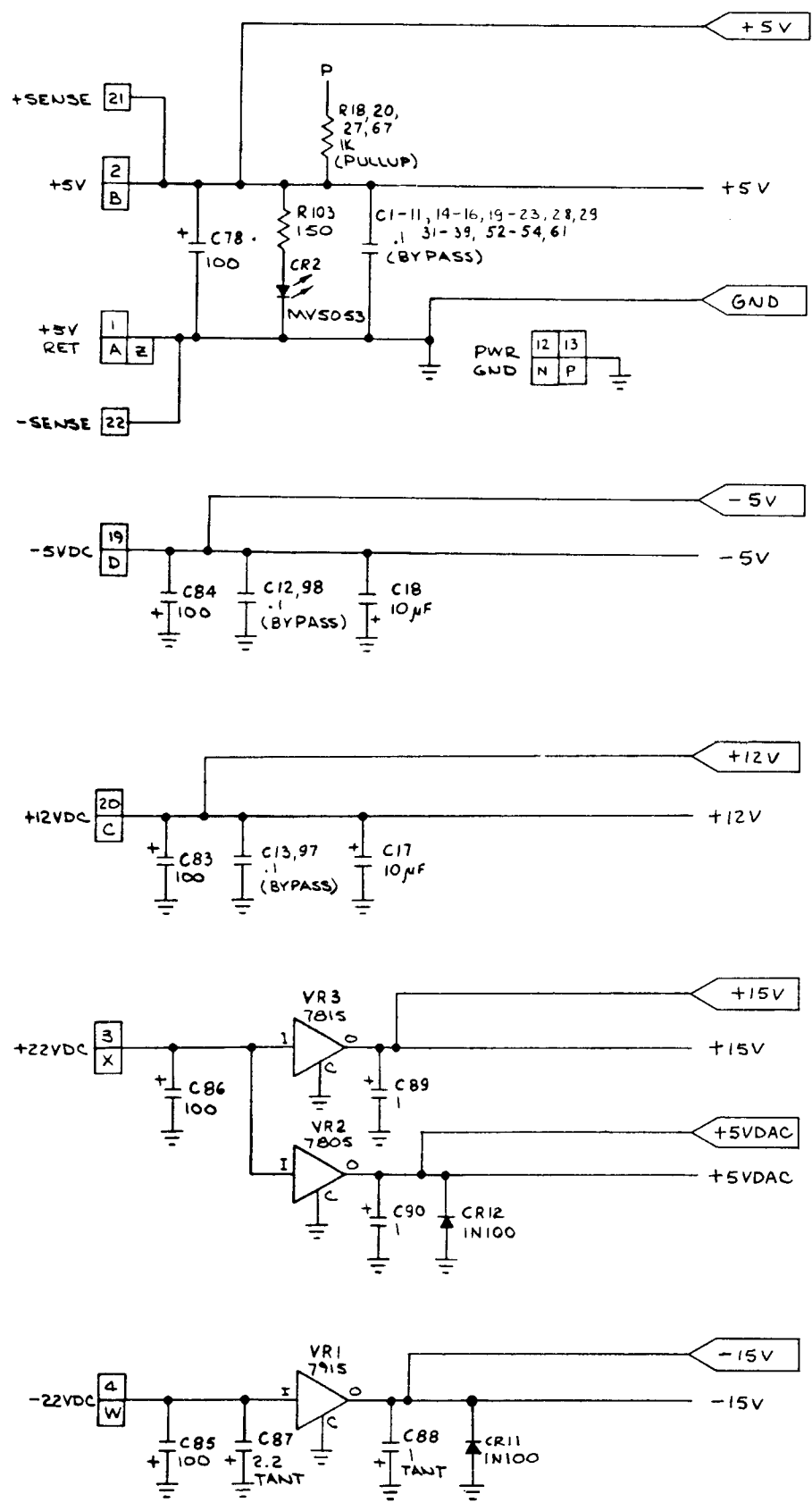
**Clock**



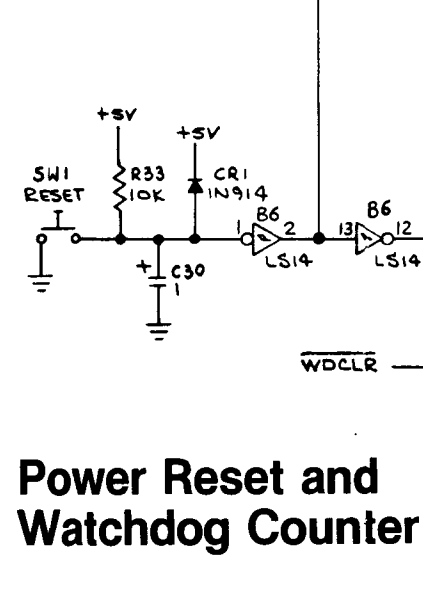
**Microprocessor**



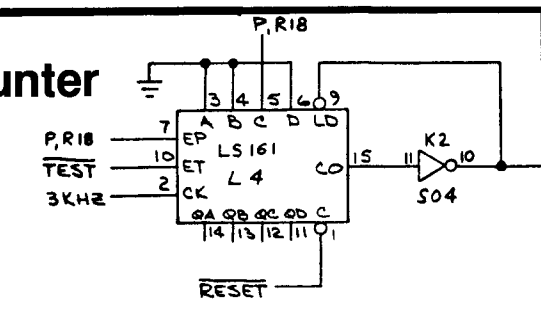
**Power Input**



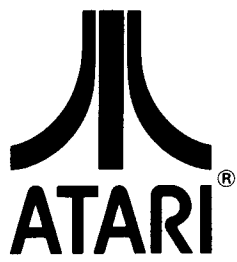
**Power Reset and Watchdog Counter**



**NMI Counter**



**Sheet 2, Side A  
BATTLEZONE™**



**Game Microprocessor  
Game Address Decoding Circuitry  
Analog Vector-Generator PCB Power Input**

**Clock  
NMI Counter  
Power Reset and Watchdog Counter**

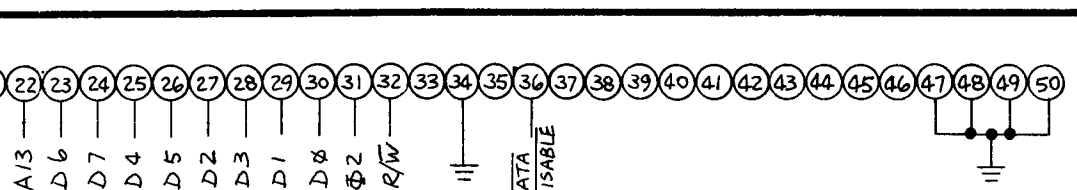
**Game Program Memory  
Game RAM**

**Game Memory Map**

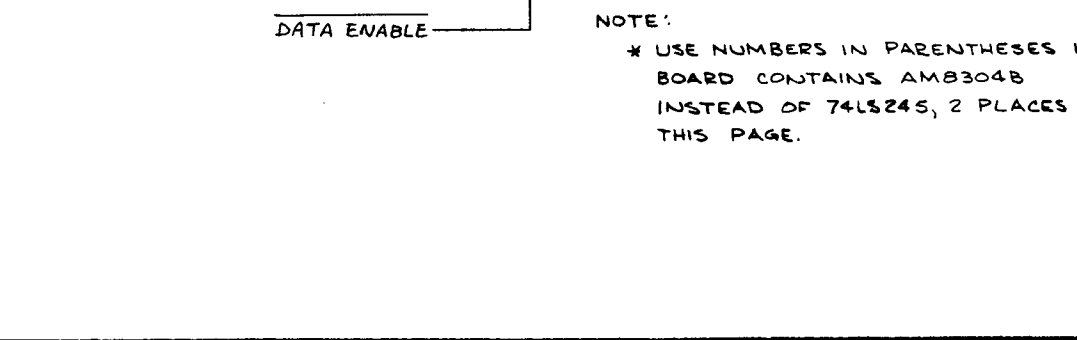
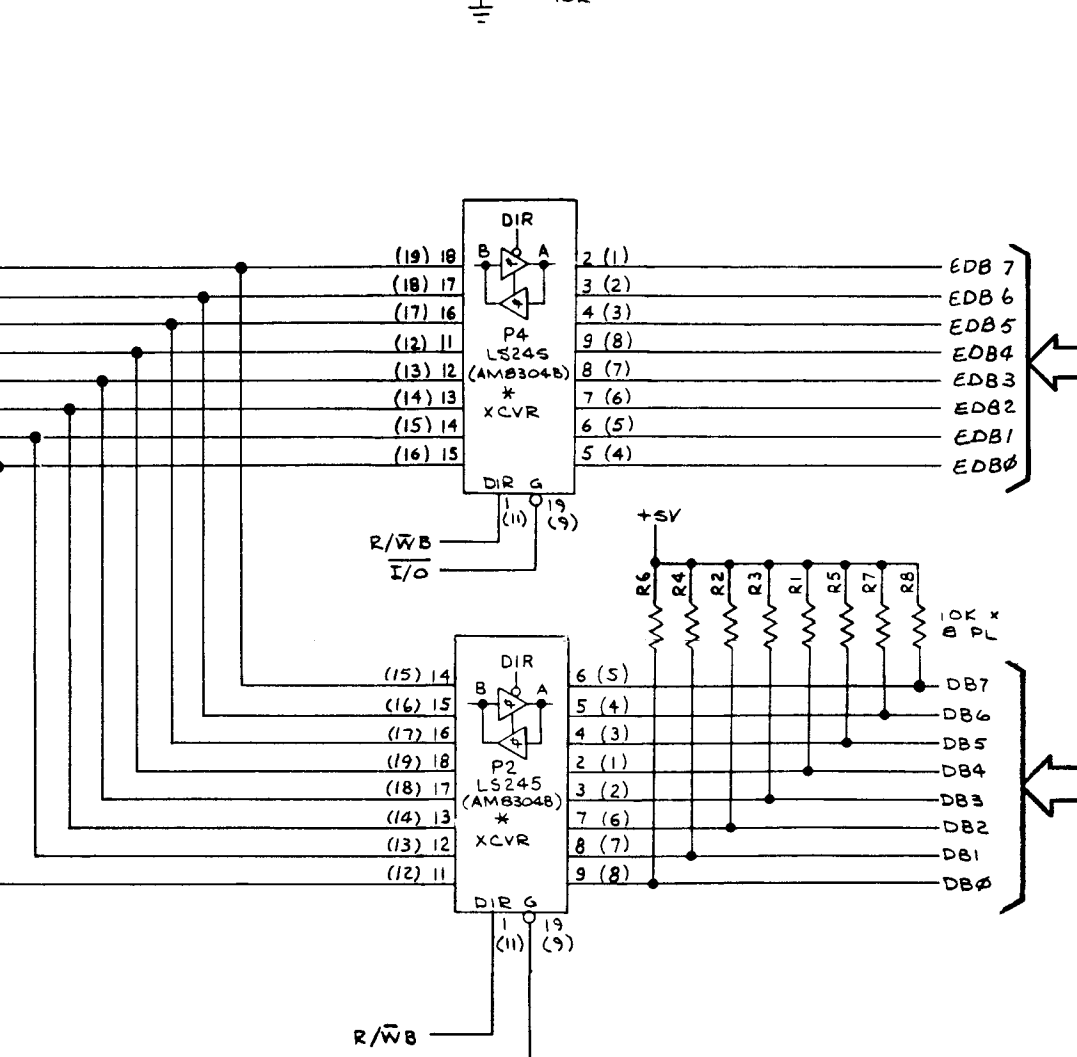
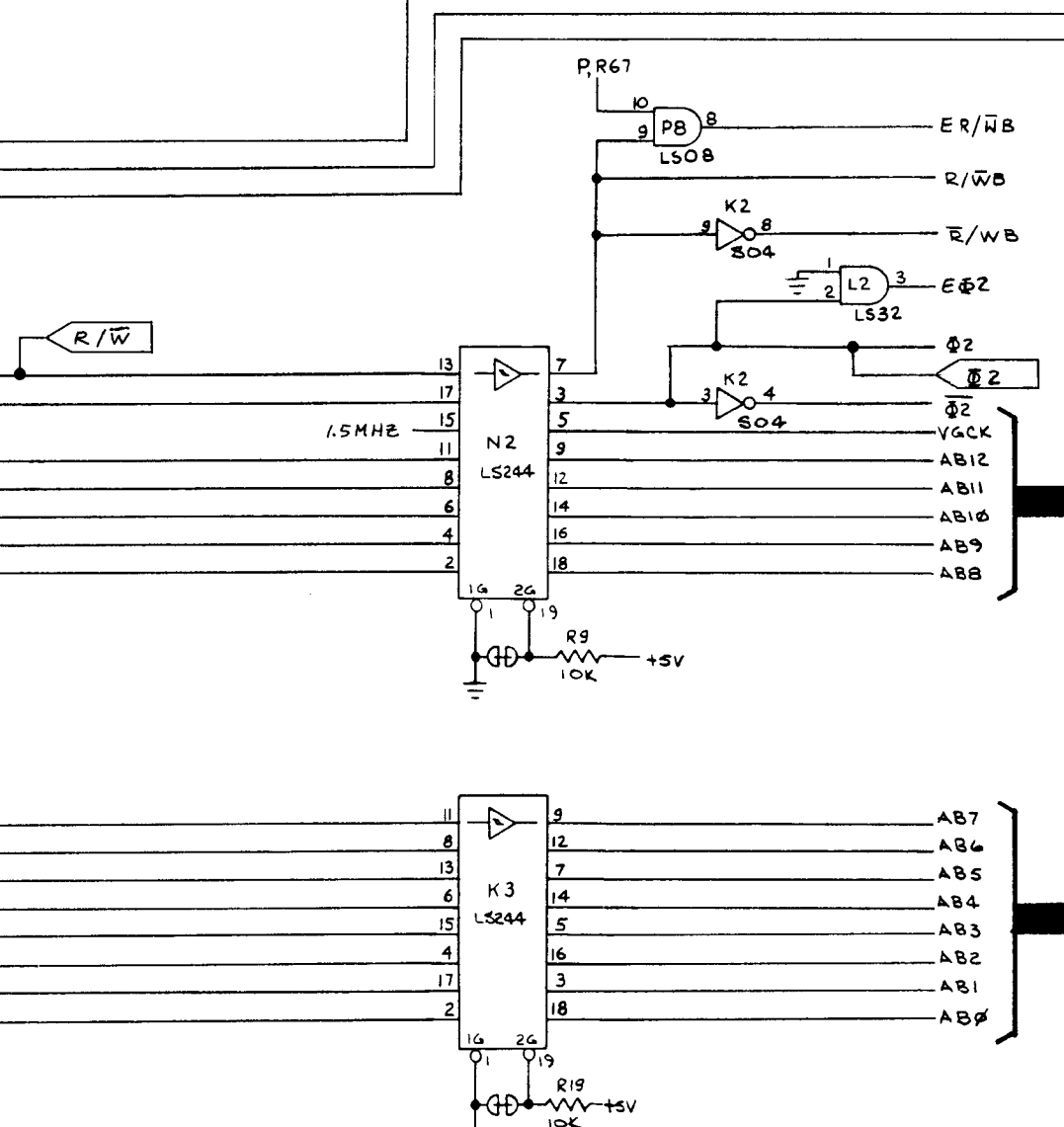
**Section of 035742-01 & -02 B**

HEXADecimal	ADDRESS																R/W	DATA				
	A15	A14	A13	A12	A11	A10	A9	A8	A7	A6	A5	A4	A3	A2	A1	A0		D7	D6	D5	D4	D3
0000-03FF 0800	0	0	0	0	0	A	A	A	A	A	A	A	A	A	A	R	D	D	D	D	D	D
0A00	0	0	0	1	0	0										R						D
	0	0	0	1	0	0										R						D
	0	0	0	1	0	0										R	D					D
	0	0	0	1	0	1										R	D	D	D	D	D	D
0C00 1000	0	0	0	1	1	0										R	D	D	D	D	D	D
1200	0	0	1	0	0	0										W						D
	0	0	1	0	0	1										W						D
	0	0	1	0	1	0										W						D
	0	0	1	0	1	1										W						D
1800-187F	0	1	1	1					A	A	A	A	A	A	A	R	D	D	D	D	D	D
2000-27FF	0	1	0	0	A	A	A	A	A	A	A	A	A	A	A	R	D	D	D	D	D	D
	0	1	0	1	A	A	A	A	A	A	A	A	A	A	A	R	D	D	D	D	D	D
	0	1	1	A	A	A	A	A	A	A	A	A	A	A	A	R	D	D	D	D	D	D
	1	0	1	A	A	A	A	A	A	A	A	A	A	A	A	R	D	D	D	D	D	D
	1	1	A	A	A	A	A	A	A	A	A	A	A	A	A	R	D	D	D	D	D	D

NOTICE TO ALL PERSONS RECEIVING THIS DRAWING  
CONFIDENTIAL. Reproduction forbidden without the  
specific written permission of Atari, Inc., Sunnyvale, CA.  
This drawing is only conditionally issued, and neither  
receipt nor possession thereof confers or transfers any  
right in, or license to use, the subject matter of the  
drawing or any design or technical information shown thereon,  
nor any right to reproduce this drawing or any part  
thereof. Except for manufacture by vendors of Atari, Inc.,  
and for manufacture under the corporation's written  
license, no right to reproduce this drawing is granted or  
the subject matter thereof unless by written agreement  
with or written permission from the corporation.

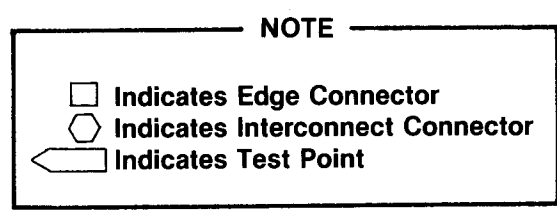


TESTING ONLY

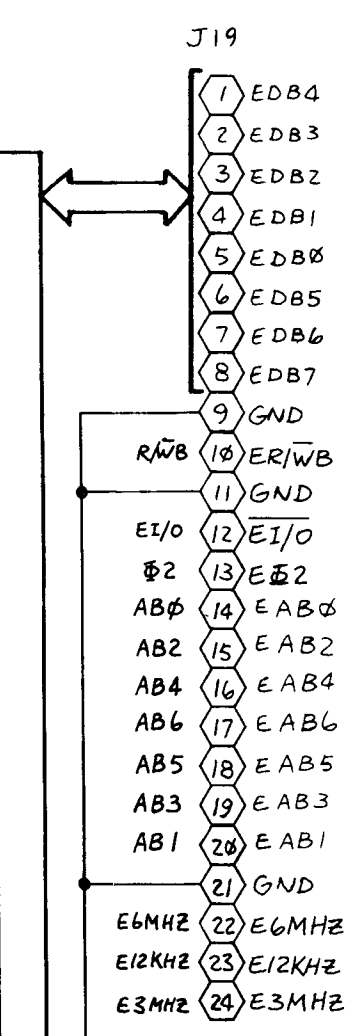
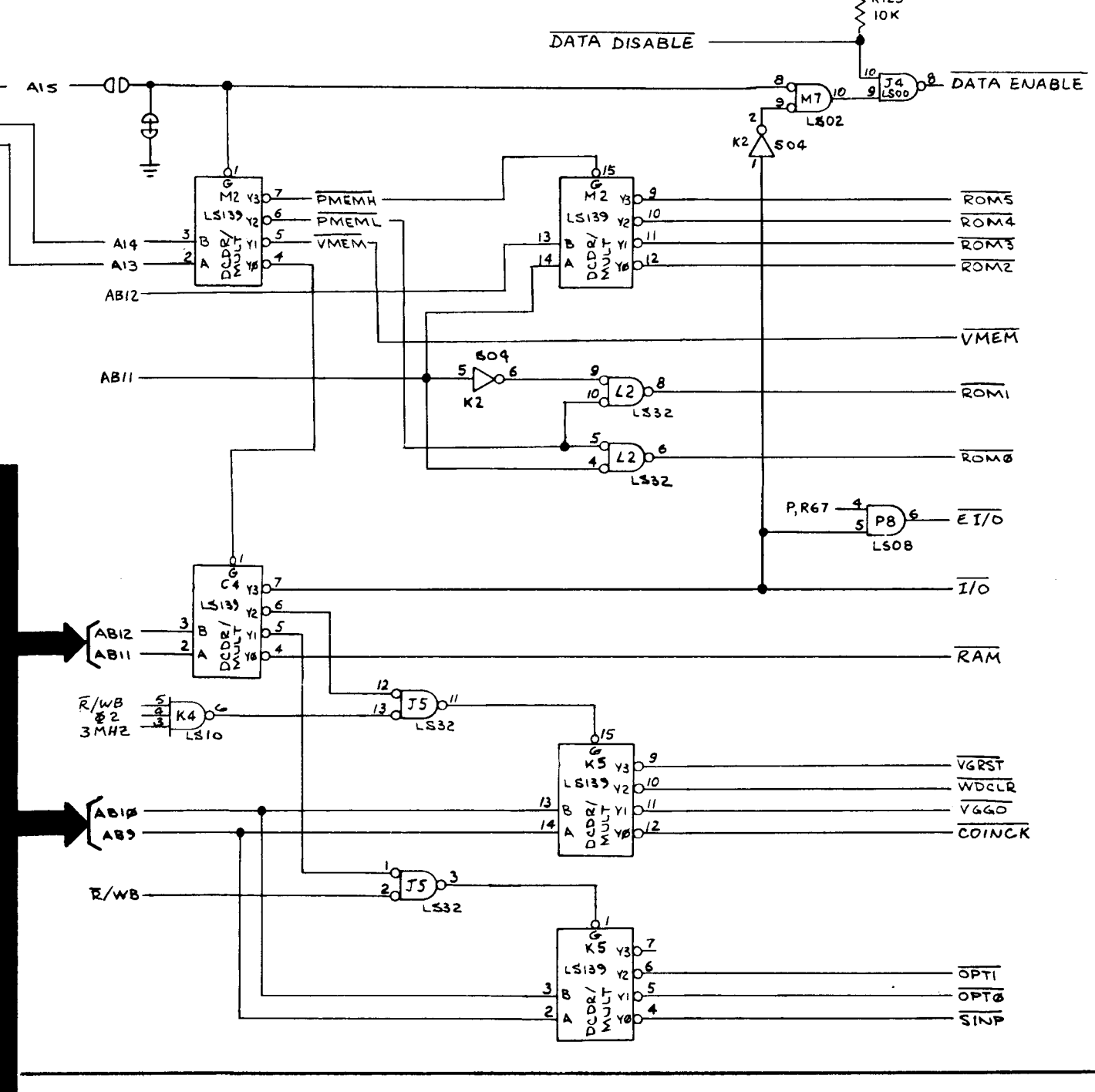


TA	D3	D2	D1	D0	FUNCTION
D	D	D	D	D	PROGRAM RAM (1K)
D	D	D	D	D	RIGHT COIN SWITCH
D	D	D	D	D	CENTER COIN SWITCH
D	D	D	D	D	LEFT COIN SWITCH
D	D	D	D	D	SLAM SWITCH
D	D	D	D	D	SELF TEST SWITCH
D	D	D	D	D	DIAG STEP SWITCH
D	D	D	D	D	HALT
D	D	D	D	D	3 KHZ
D	D	D	D	D	OPTION SWITCH INPUTS
D	D	D	D	D	OPTION SWITCH INPUTS
D	D	D	D	D	COIN COUNTER RIGHT
D	D	D	D	D	COIN COUNTER CENTER
D	D	D	D	D	COIN COUNTER LEFT
D	D	D	D	D	VIDEO INVERT X
D	D	D	D	D	VIDEO INVERT Y
D	D	D	D	D	VECTOR GENERATOR GO
D	D	D	D	D	WATCHDOG CLEAR
D	D	D	D	D	VECTOR GENERATOR RESET
D	D	D	D	D	AUXILIARY PCB ENABLE
D	D	D	D	D	VECTOR RAM (2K)
D	D	D	D	D	VECTOR RAM/VECTOR ROM (2K)
D	D	D	D	D	VECTOR ROM (4K)
D	D	D	D	D	PROGRAM ROM (4K)
D	D	D	D	D	PROGRAM ROM (8K)

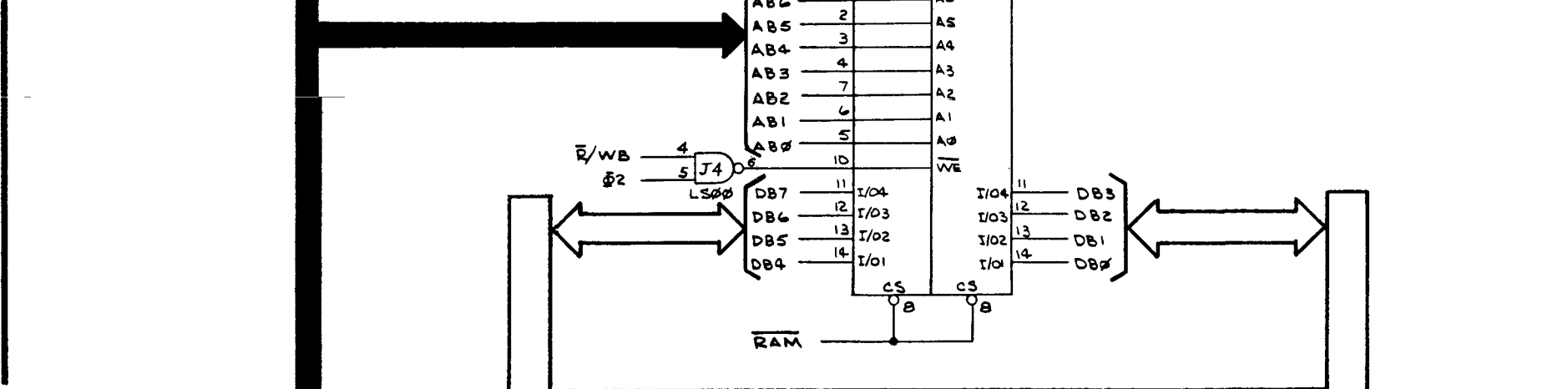
NOTE:  
\* USE NUMBERS IN PARENTHESES IF BOARD CONTAINS AM9304B INSTEAD OF 74LS245, 2 PLACES THIS PAGE.



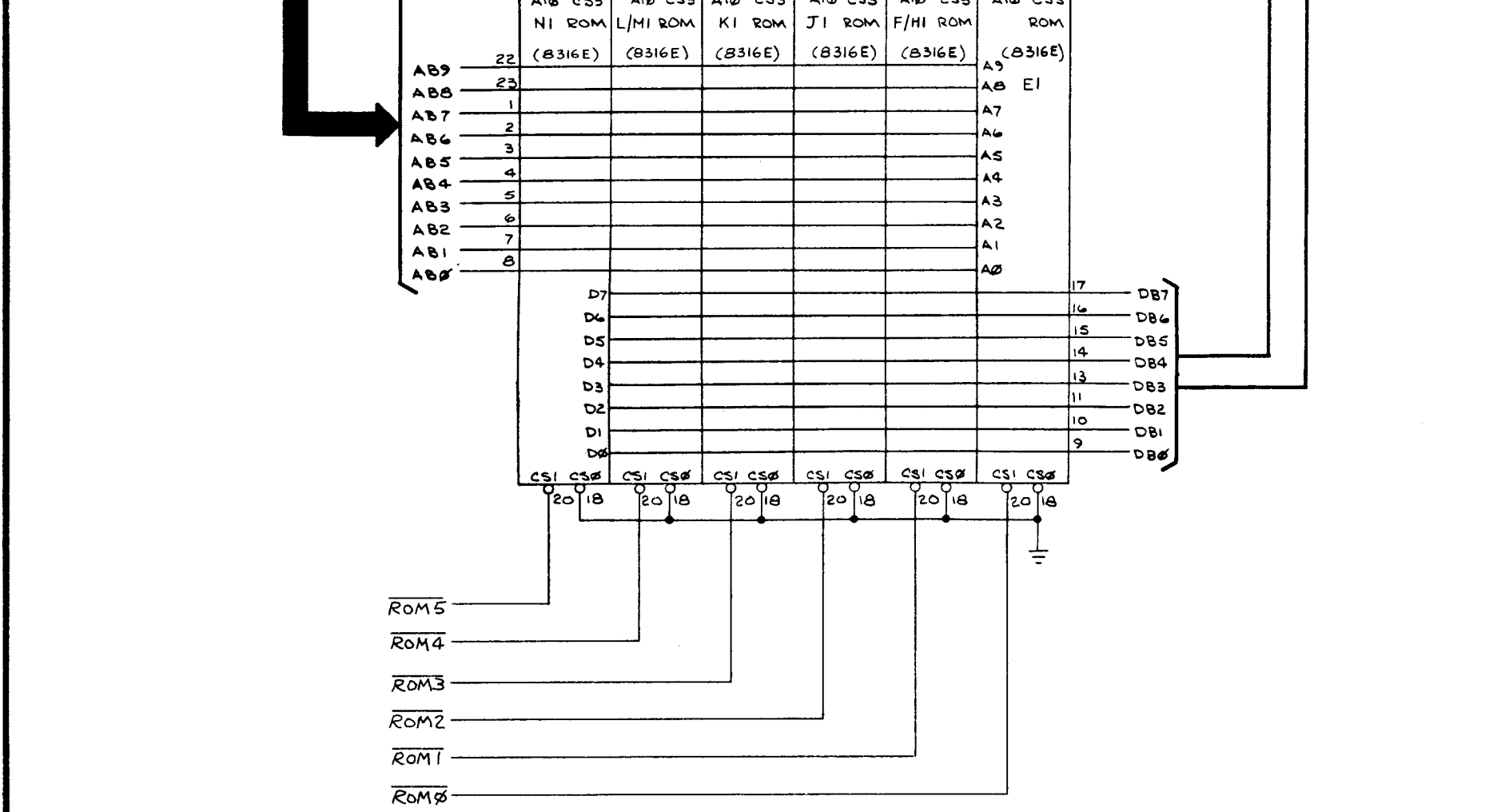
### Address Decoder



### RAM Memory

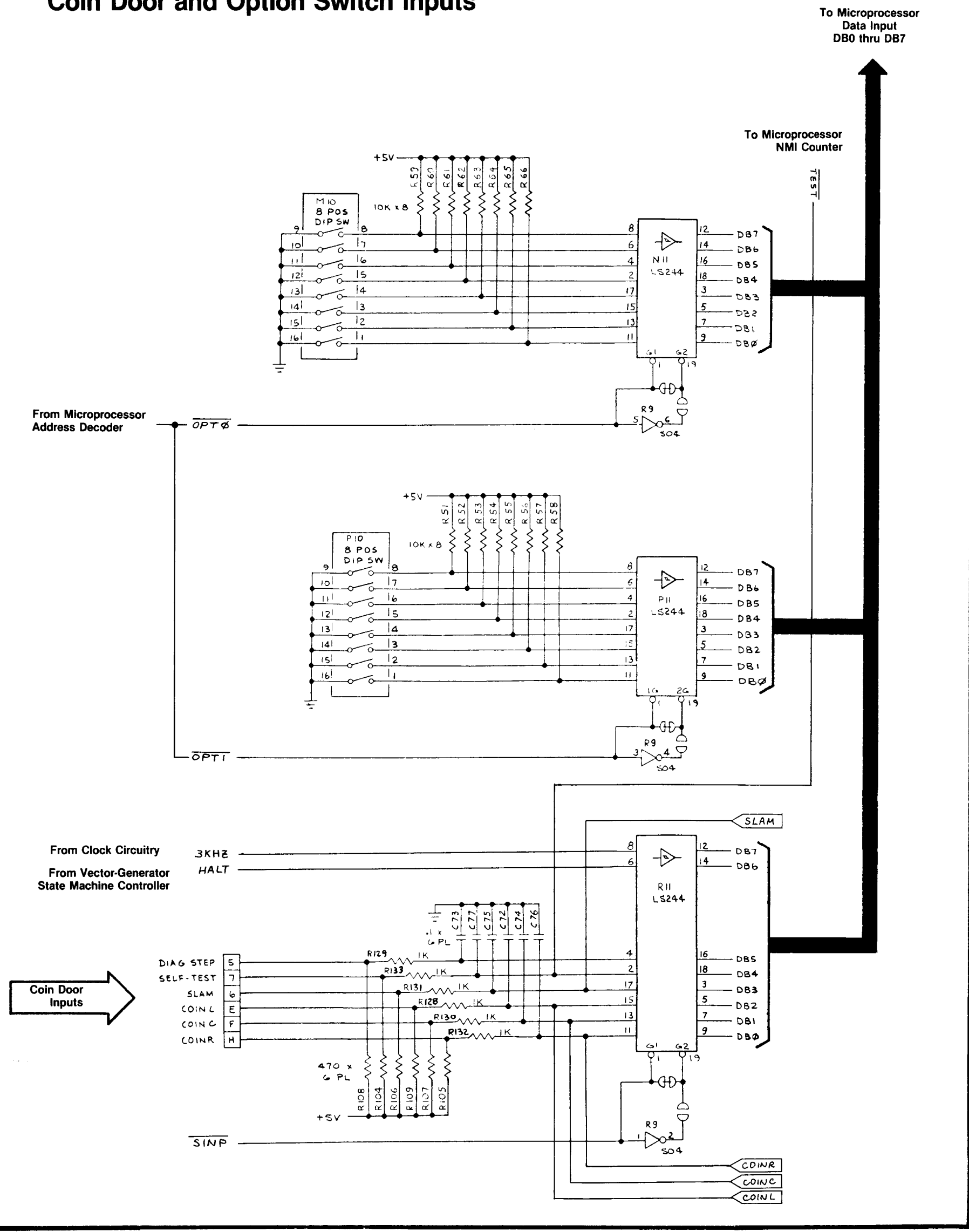


### Program Memory



TA	D3	D2	D1	D0	FUNCTION
D	D	D	D	D	PROGRAM RAM (1K)
D	D	D	D	D	RIGHT COIN SWITCH
D	D	D	D	D	CENTER COIN SWITCH
D	D	D	D	D	LEFT COIN SWITCH
D	D	D	D	D	SLAM SWITCH
D	D	D	D	D	SELF TEST SWITCH
D	D	D	D	D	DIAG STEP SWITCH
D	D	D	D	D	HALT
D	D	D	D	D	3 KHZ
D	D	D	D	D	OPTION SWITCH INPUTS
D	D	D	D	D	OPTION SWITCH INPUTS
D	D	D	D	D	COIN COUNTER RIGHT
D	D	D	D	D	COIN COUNTER CENTER
D	D	D	D	D	COIN COUNTER LEFT
D	D	D	D	D	VIDEO INVERT X
D	D	D	D	D	VIDEO INVERT Y
D	D	D	D	D	VECTOR GENERATOR GO
D	D	D	D	D	WATCHDOG CLEAR
D	D	D	D	D	VECTOR GENERATOR RESET
D	D	D	D	D	AUXILIARY PCB ENABLE
D	D	D	D	D	VECTOR RAM (2K)
D	D	D	D	D	VECTOR RAM/VECTOR ROM (2K)
D	D	D	D	D	VECTOR ROM (4K)
D	D	D	D	D	PROGRAM ROM (4K)
D	D	D	D	D	PROGRAM ROM (8K)

# Coin Door and Option Switch Inputs

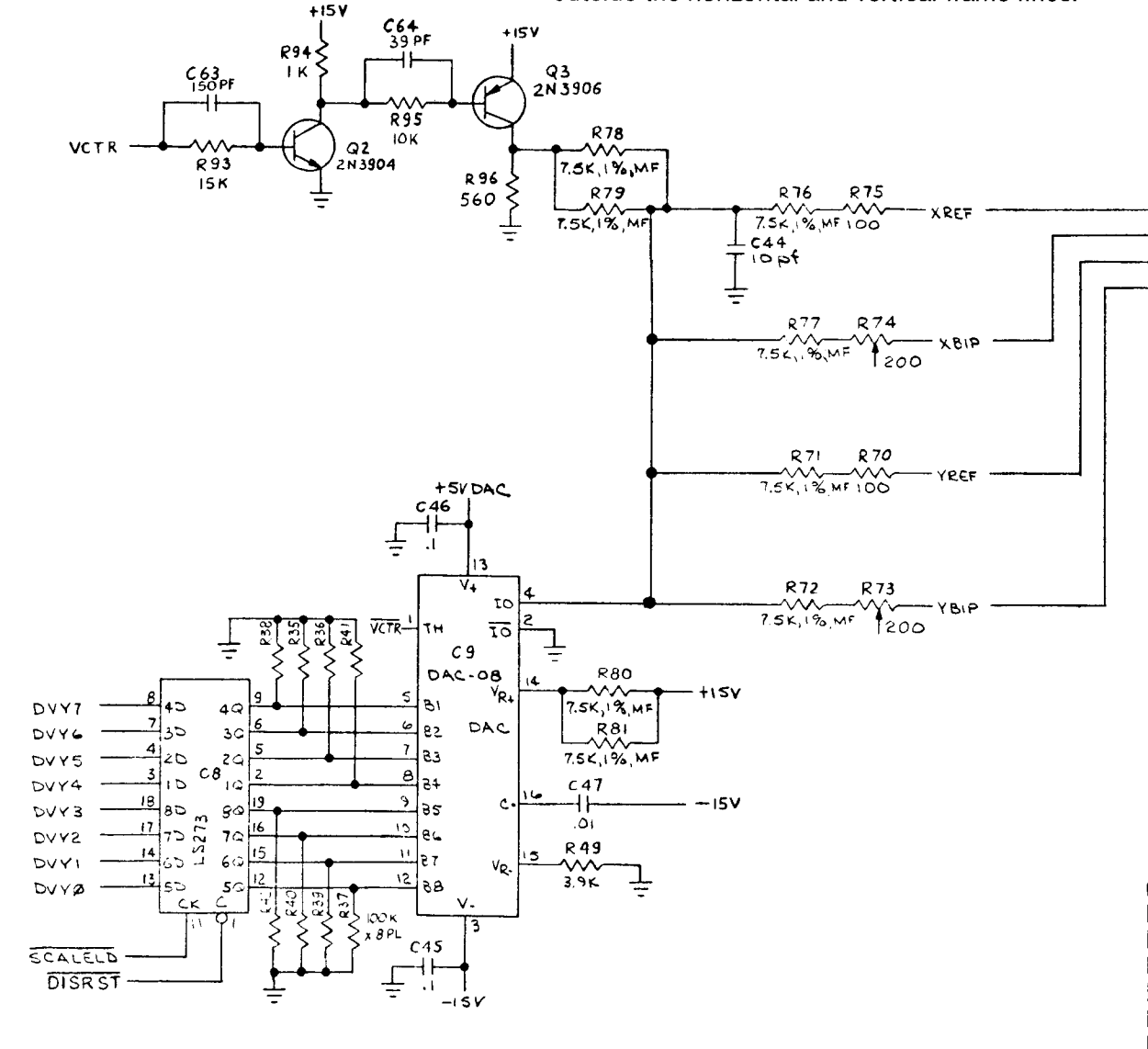


# Analog Vector-Generator PCB Outputs

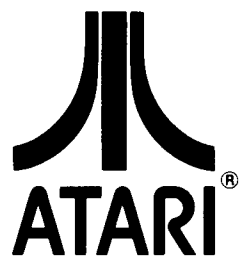
## Adjustment of R73 and R74

If you replace the Battlezone™ Analog Vector-Generator PCB, you may have to adjust two controls on this board. Follow this procedure:

Enter the self-test. Locate the two potentiometers at R73 and R74 on the Analog Vector-Generator PCB. These control X and Y distortion. Turn the controls in either direction until the diagonal lines on all four sides of the screen touch or barely overscan outside the horizontal and vertical frame lines.

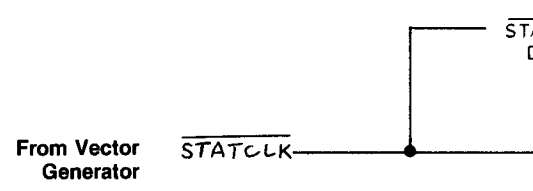
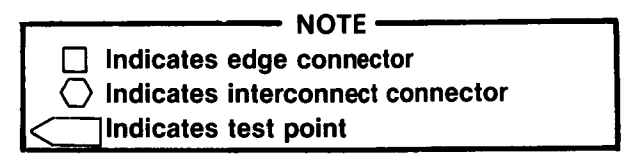


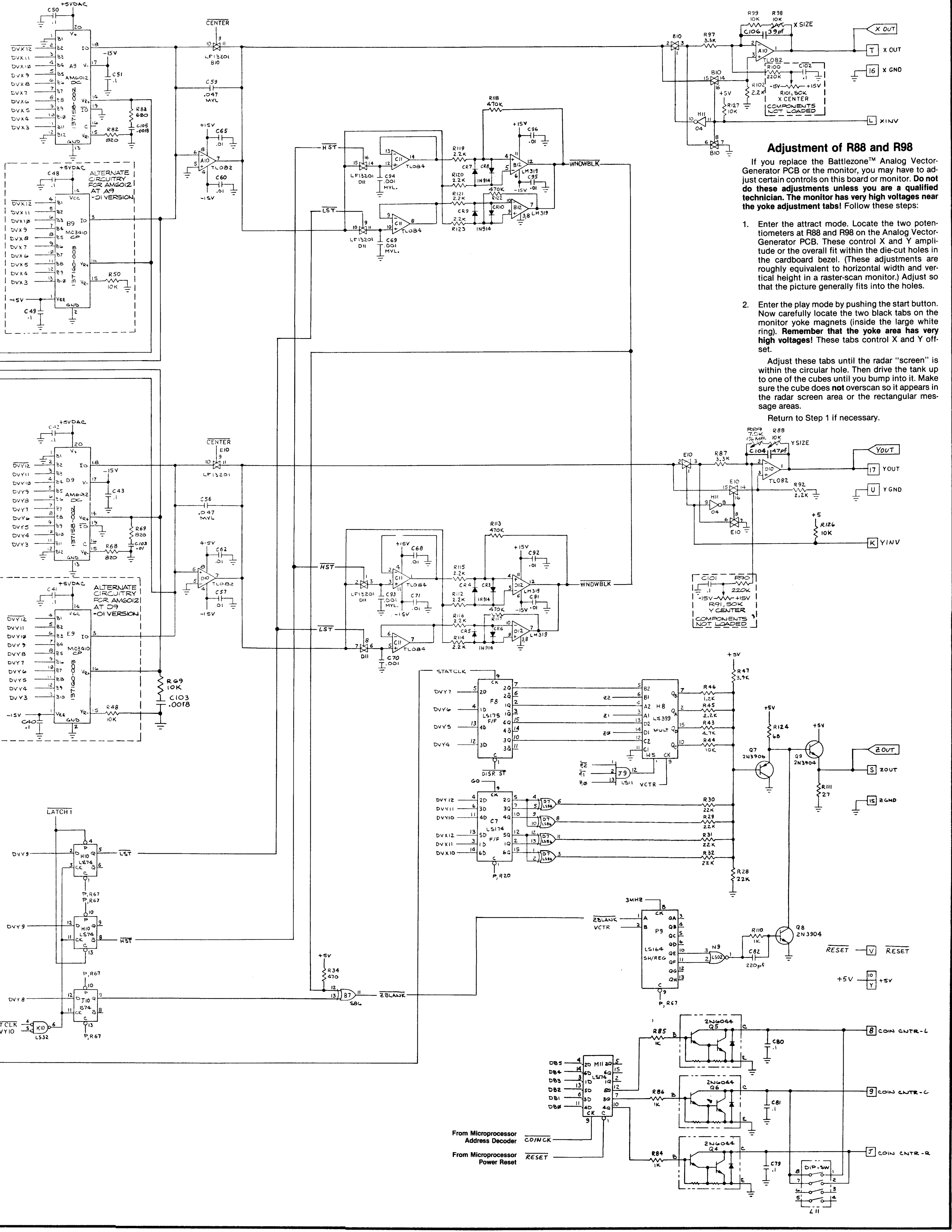
NOTICE TO ALL PERSONS RECEIVING THIS DRAWING  
 CONFIDENTIAL. Reproduction forbidden without the  
 specific written permission of Atari, Inc., Sunnyvale, CA.  
 This drawing is only conditionally issued, and neither  
 receipt nor possession thereof confers or transfers any  
 right in, or license to use, the subject matter of the draw-  
 ing or any design or technical information shown thereon,  
 nor any right to reproduce this drawing or any part  
 thereof. Except for manufacture by vendors of Atari, Inc.,  
 and for manufacture under the corporation's written  
 license, no right to reproduce this drawing is granted or  
 the subject matter thereof unless by written agreement  
 with or written permission from the corporation.



## Sheet 2, Side B BATTLEZONE™

- Analog Vector-Generator PCB
  - Switch Inputs
  - Analog Vector-Generator PCB
  - Video Output
  - Analog Vector-Generator PCB
  - Coin Counter Output
- Section of 035742-01 & -02 B





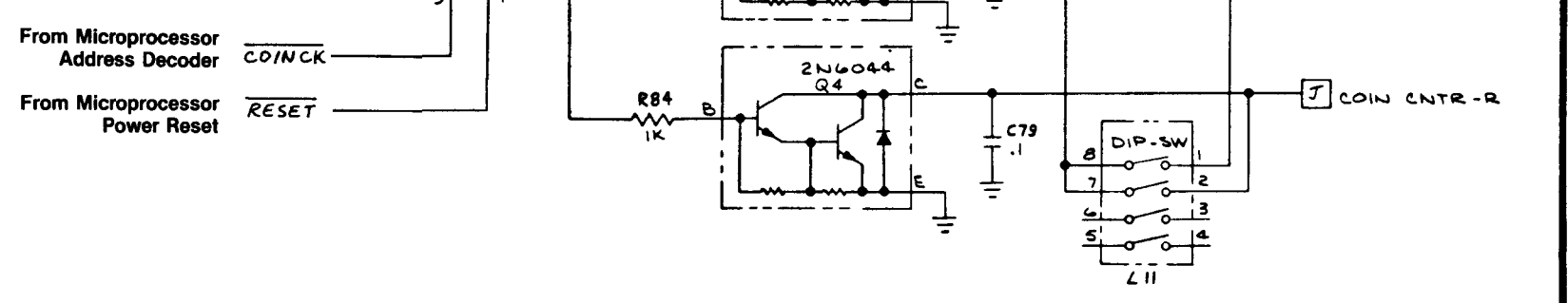
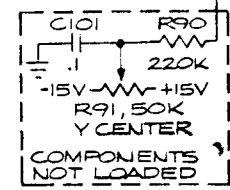
### Adjustment of R88 and R98

If you replace the Battlezone™ Analog Vector-Generator PCB or the monitor, you may have to adjust certain controls on this board or monitor. Do not do these adjustments unless you are a qualified technician. The monitor has very high voltages near the yoke adjustment tabs! Follow these steps:

1. Enter the attract mode. Locate the two potentiometers at R88 and R98 on the Analog Vector-Generator PCB. These control X and Y amplitude or the overall fit within the die-cut holes in the cardboard bezel. (These adjustments are roughly equivalent to horizontal width and vertical height in a raster-scan monitor.) Adjust so that the picture generally fits into the holes.
2. Enter the play mode by pushing the start button. Now carefully locate the two black tabs on the monitor yoke magnets (inside the large white ring). Remember that the yoke area has very high voltages! These tabs control X and Y offset.

Adjust these tabs until the radar "screen" is within the circular hole. Then drive the tank up to one of the cubes until you bump into it. Make sure the cube does not overscan so it appears in the radar screen area or the rectangular message areas.

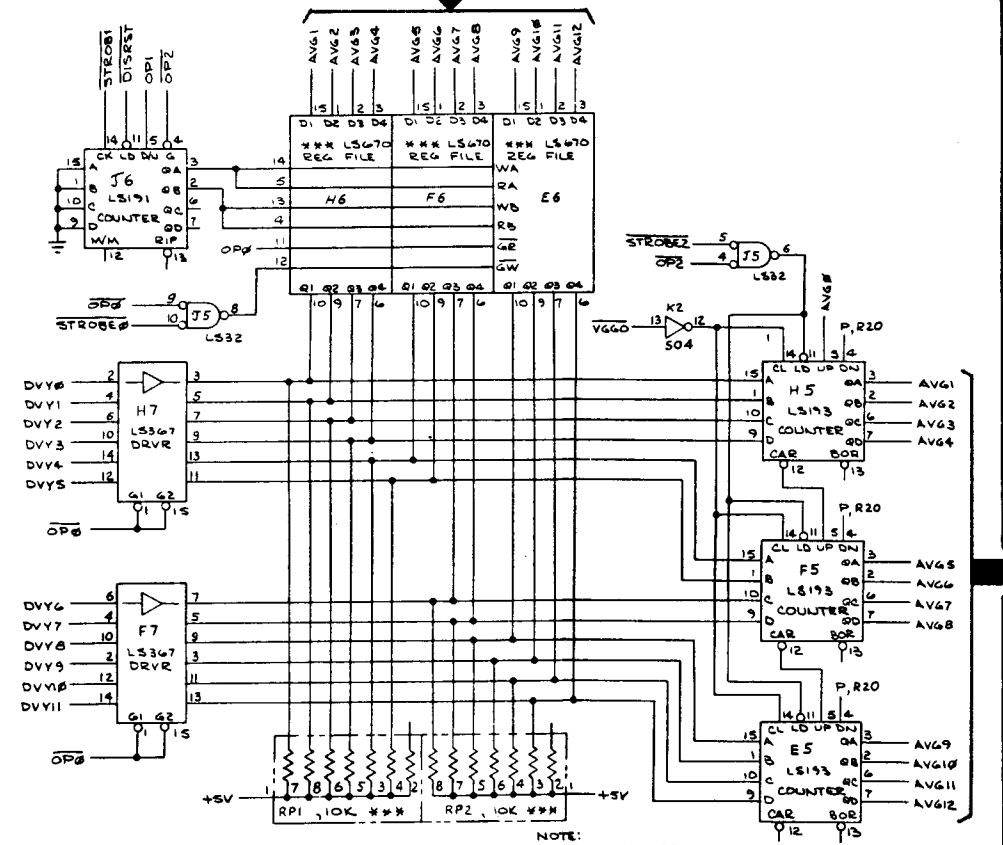
Return to Step 1 if necessary.



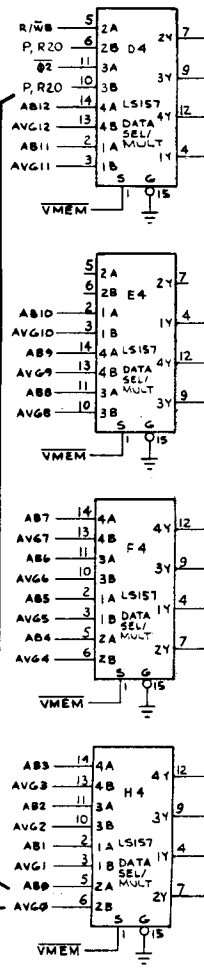


# Stack and Program Counter

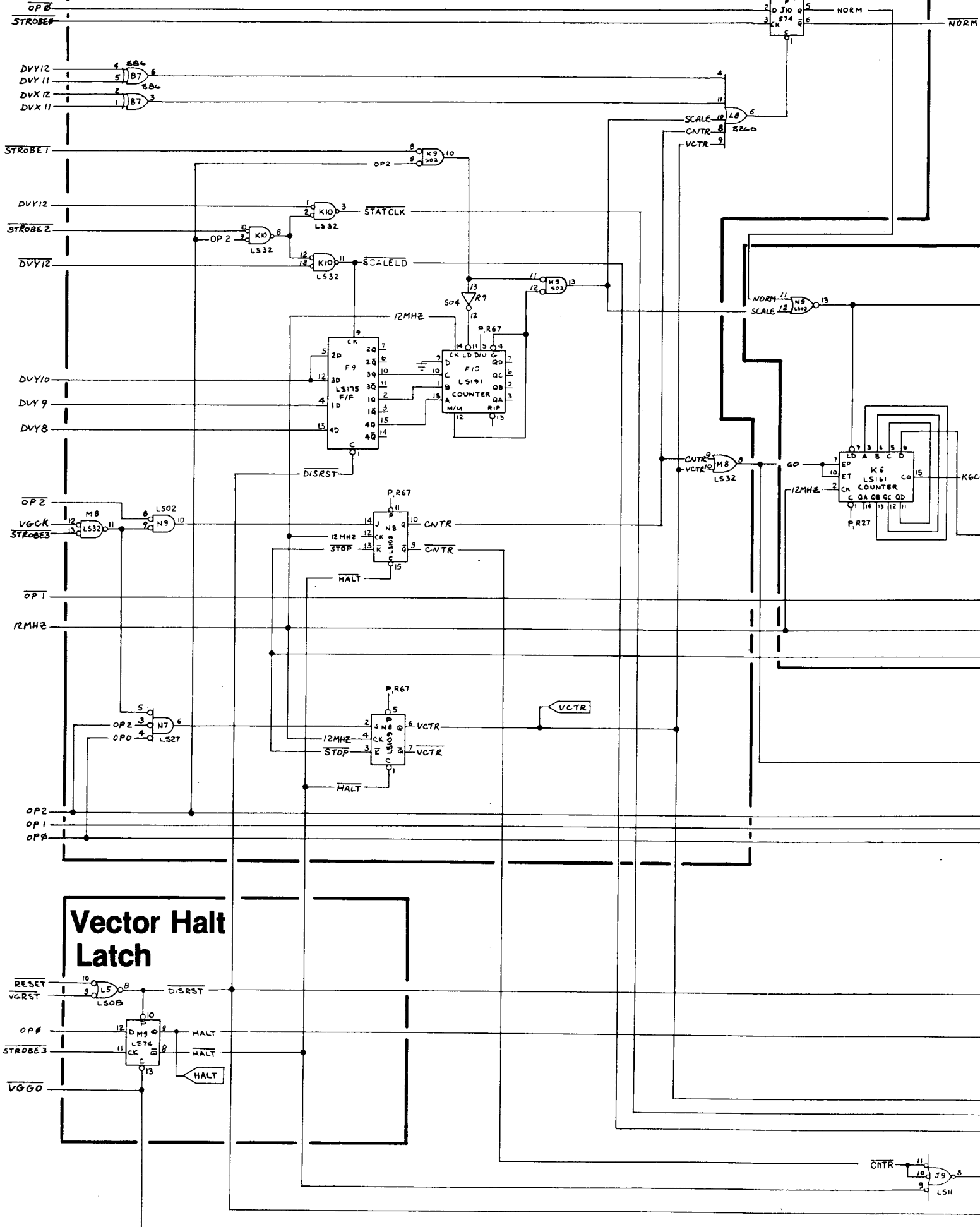
From MPU  
Buffered Address  
AB0 thru AB12



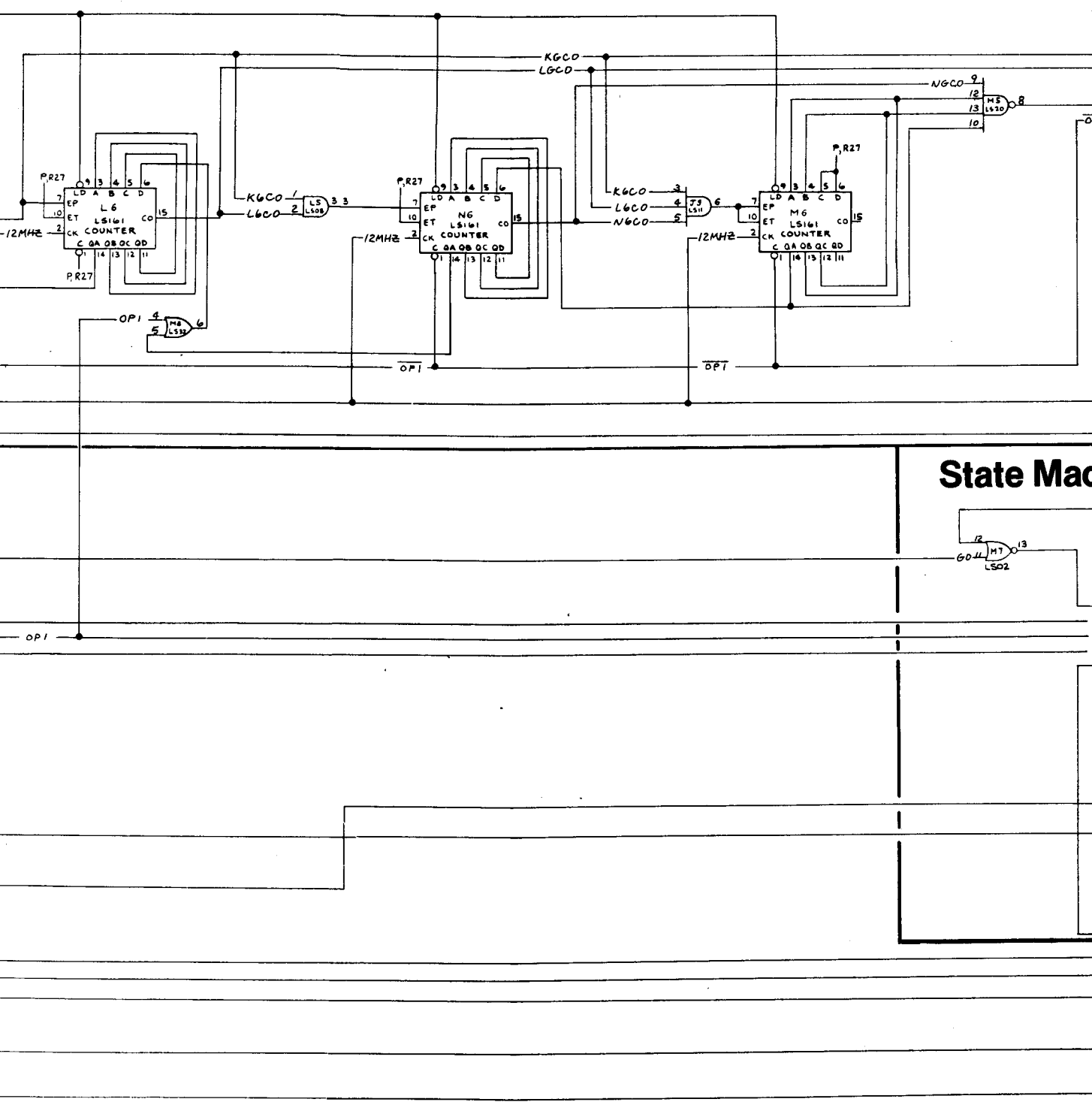
# Vector-Gen Address S



# Vector Timer Control

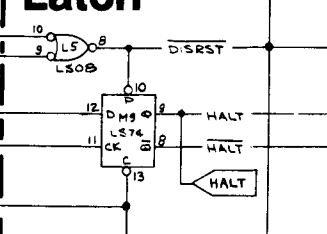


# Vector Timer

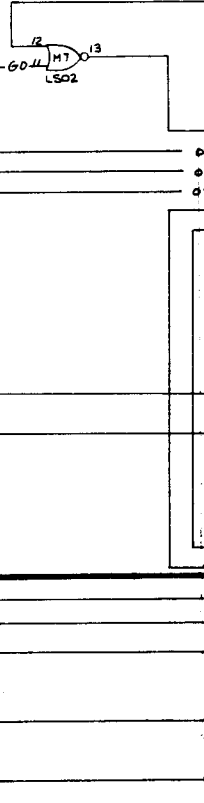


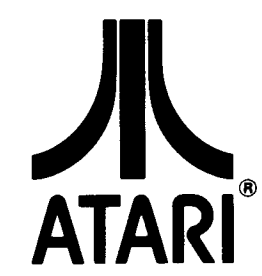
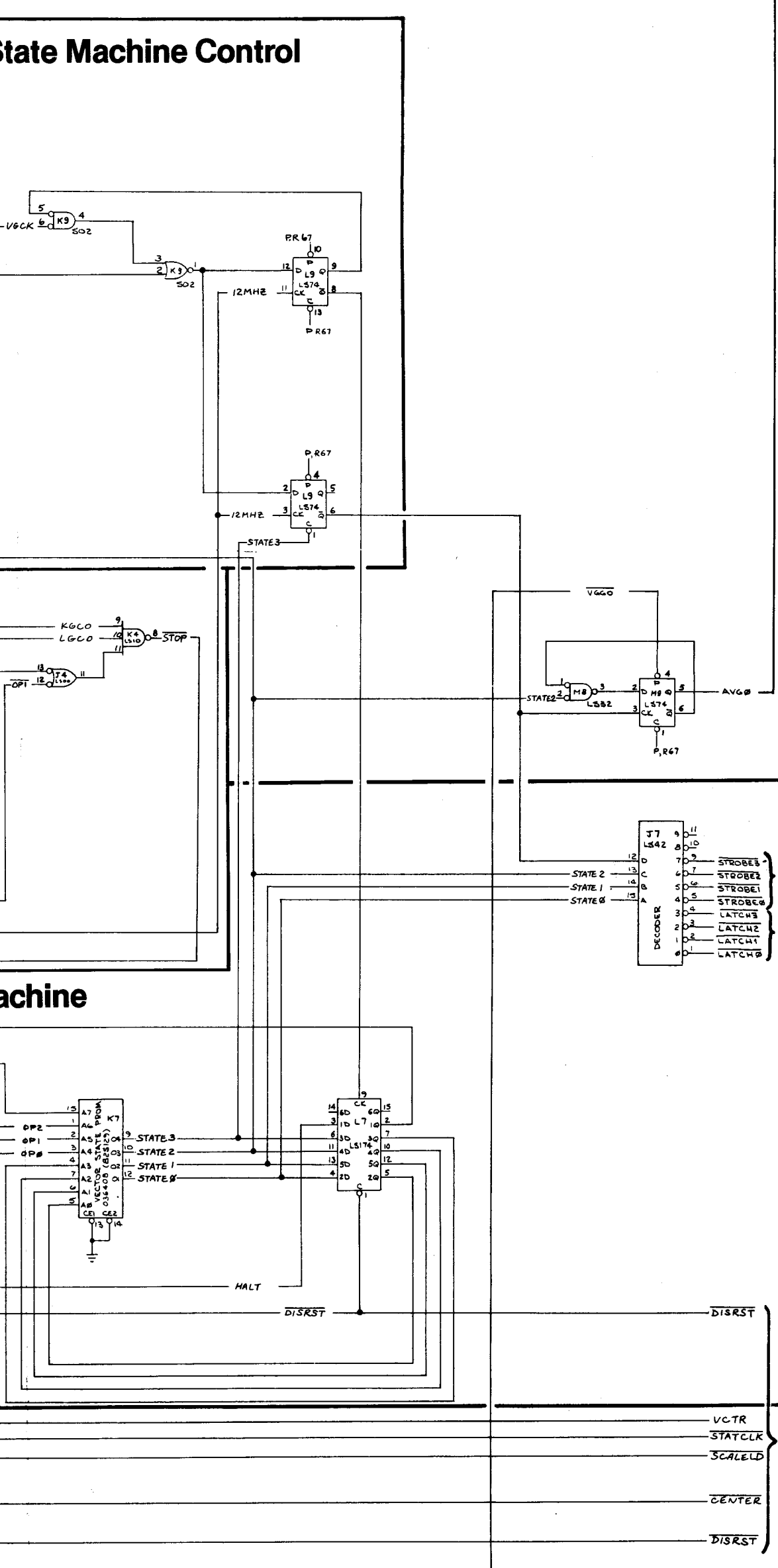
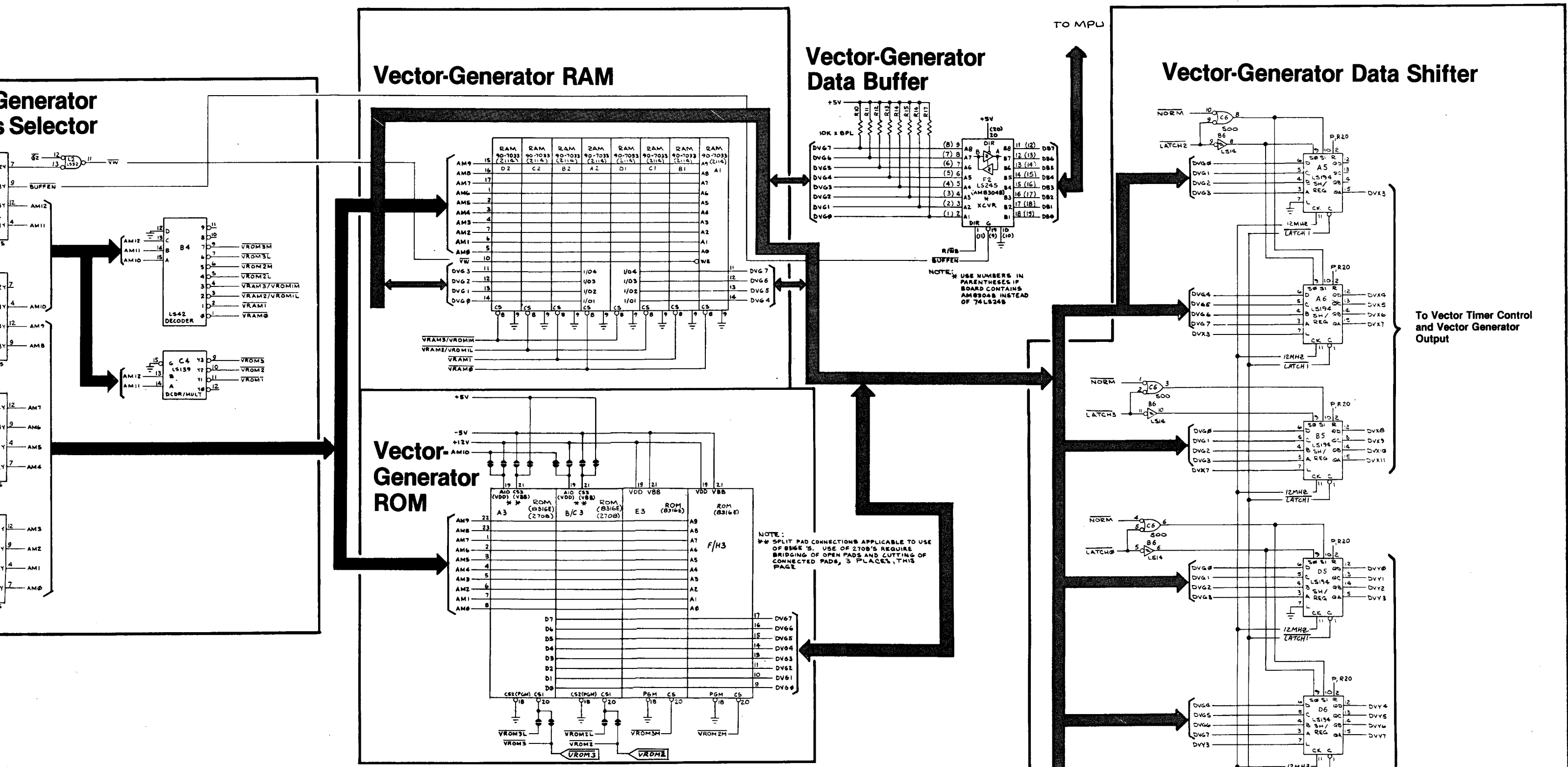
# Vector Halt Latch

From Reset Counter  
From Address Decoder



# State Mach





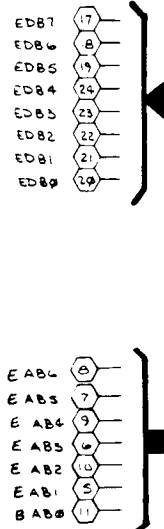
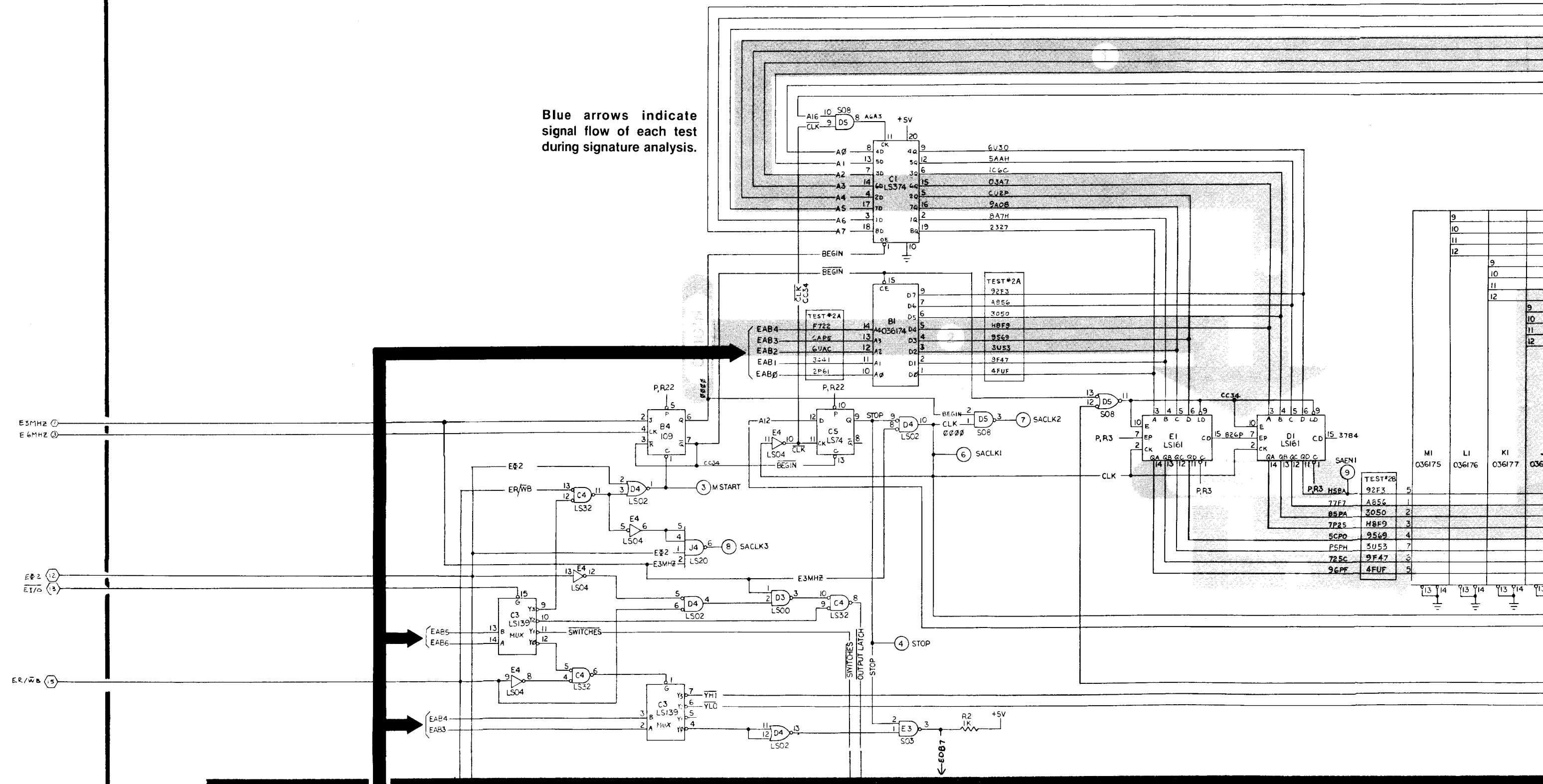
Sheet 3, Side A  
BATTLEZONE™

- Vector-Generator Program Counter
  - Vector-Generator RAM
  - Vector-Generator ROM
  - Vector-Generator Data Shifter
  - Vector-Generator Data Buffer
  - Vector-Generator Data Latches
  - Vector-Generator Vector Timer
  - Vector-Generator State Machine
- Section of 035742-01 & -02 B

**NOTICE TO ALL PERSONS RECEIVING THIS DRAWING**  
 CONFIDENTIAL: Reproduction forbidden without the specific written permission of Atari, Inc., Sunnyvale, CA. This drawing is only conditionally issued, and neither receipt nor possession thereof confers or transfers any right in, or license to use, the subject matter of the drawing or any design or technical information shown thereon, no right to reproduce this drawing or any part thereof. Except for manufacture by vendors of Atari, Inc., and for manufacture under the corporation's written license, no right to reproduce this drawing is granted or its subject matter thereof unless by written agreement with or written permission from the corporation.

# Math Box

Blue arrows indicate signal flow of each test during signature analysis.



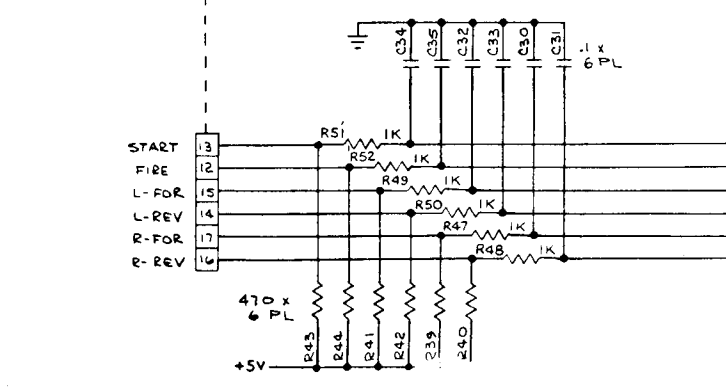
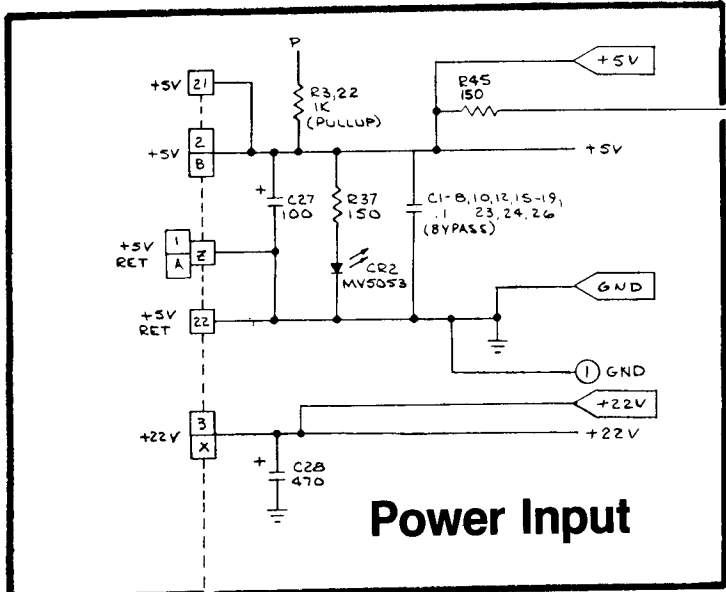
## Output Latch

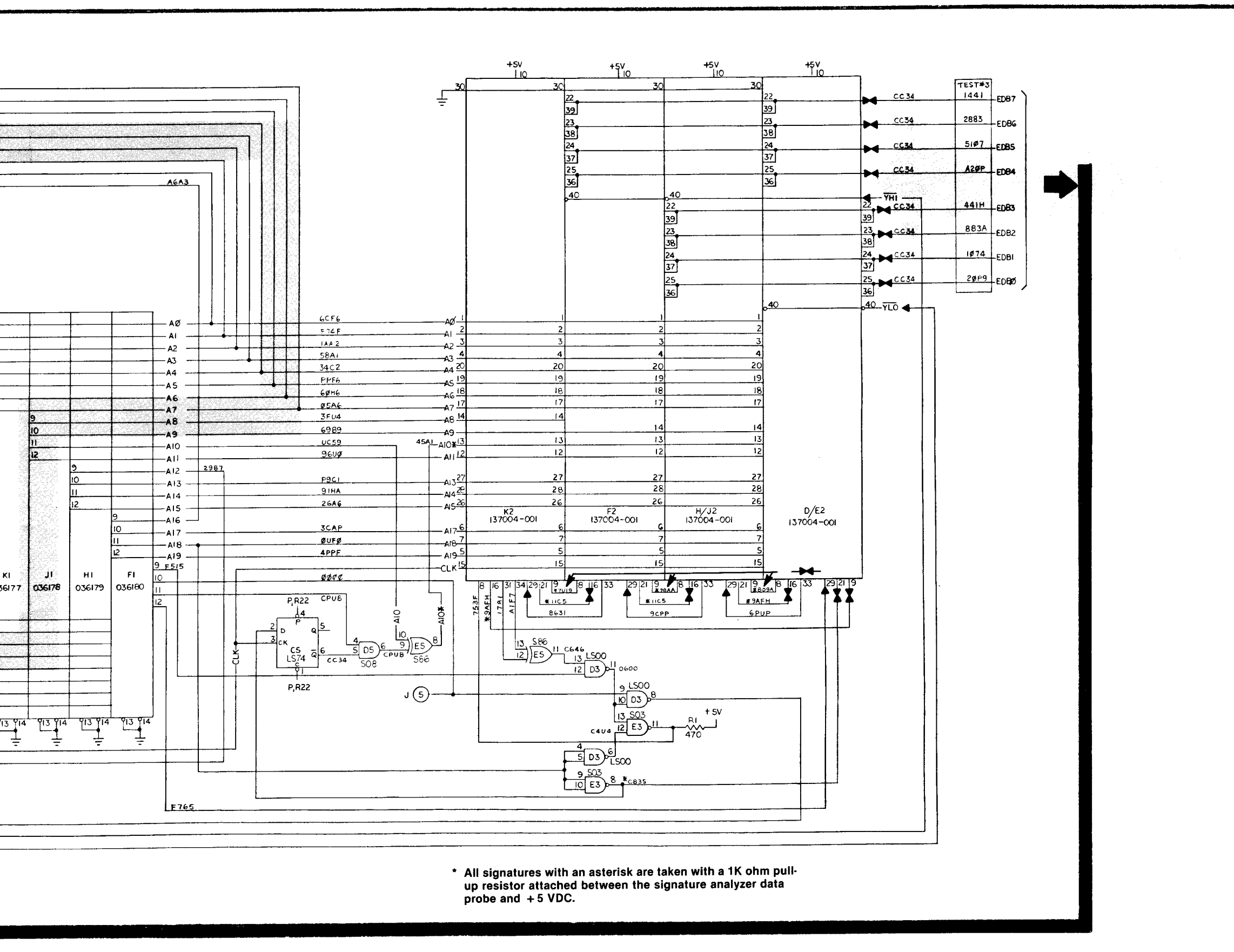
## Audio Output

## Control Panel Inputs and Audio Generator

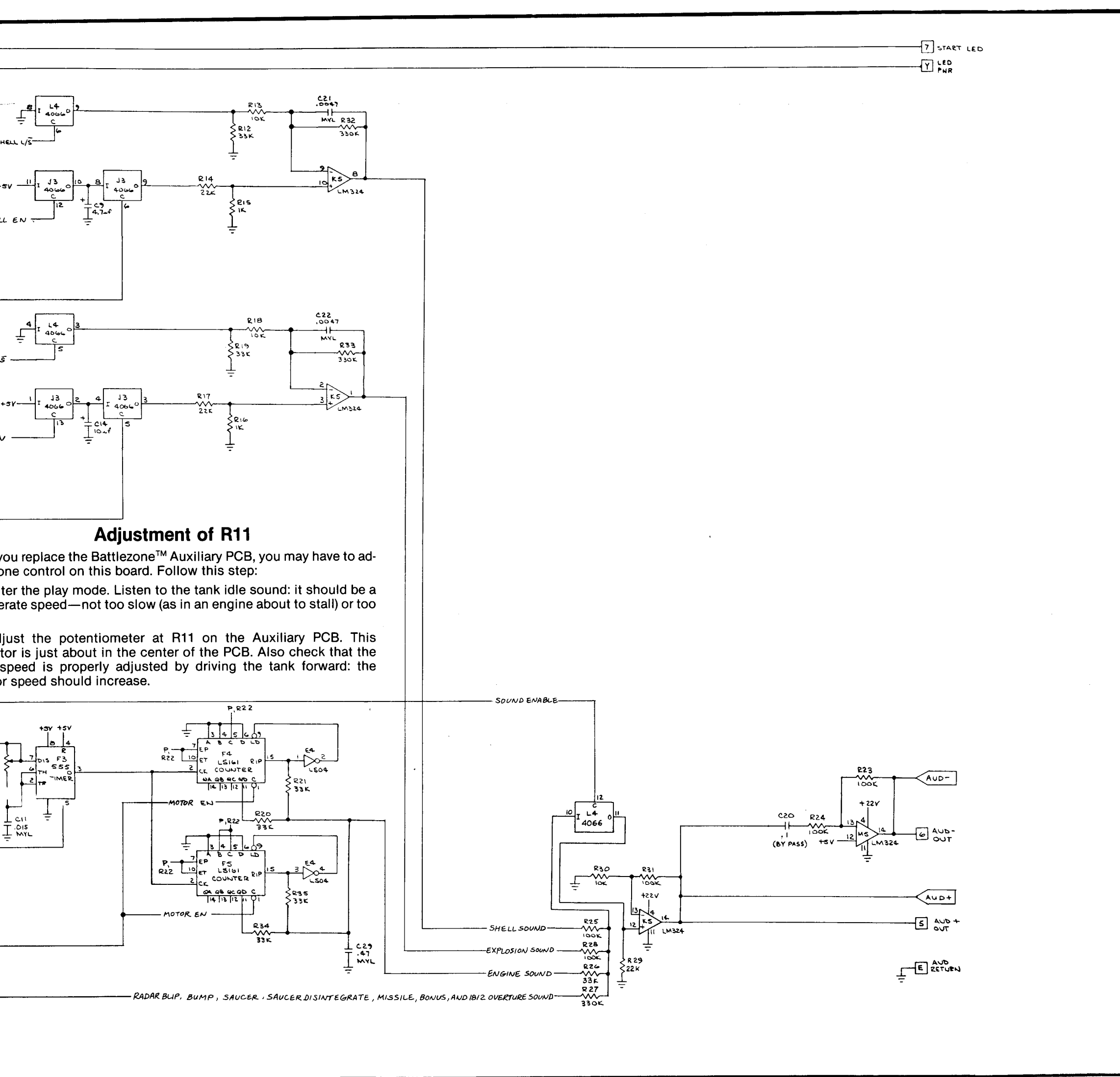
## Power Input

If you replace just one component, Enter the moderate speed. Adjust the resistor is just idle speed i motor speed.





\* All signatures with an asterisk are taken with a 1K ohm pull-up resistor attached between the signature analyzer data probe and +5 VDC.



### Adjustment of R11

When you replace the Battlezone™ Auxiliary PCB, you may have to adjust the motor control on this board. Follow this step:

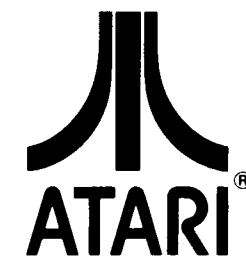
1. Enter the play mode. Listen to the tank idle sound; it should be a moderate speed—not too slow (as in an engine about to stall) or too fast.

2. Adjust the potentiometer at R11 on the Auxiliary PCB. This potentiometer is just about in the center of the PCB. Also check that the motor speed is properly adjusted by driving the tank forward; the motor speed should increase.

**NOTE**

- Indicates edge connector
- Indicates interconnect connector
- ◁ Indicates test point

Four-digit alphanumeric numbers are signatures of Math Box test points. Unboxed signatures are taken during Test #1.



## Sheet 3, Side B BATTLEZONE™

### Auxiliary PCB Audio Output Control Panel Inputs Math Box Section of 035678-01 B

NOTICE TO ALL PERSONS RECEIVING THIS DRAWING: CONFIDENTIAL. Reproduction forbidden without the specific written permission of Atari, Inc., Sunnyvale, CA. This drawing is only conditionally issued, and neither receipt nor possession thereof confers or transfers any right in, or license to use, the subject matter of the drawing or any design or technical information shown thereon, nor any right to reproduce this drawing or any part thereof. Except for manufacture by vendors of Atari, Inc. and for manufacture under the corporation's written license, no right to reproduce this drawing is granted or the subject matter thereof unless by written agreement with or written permission from the corporation.