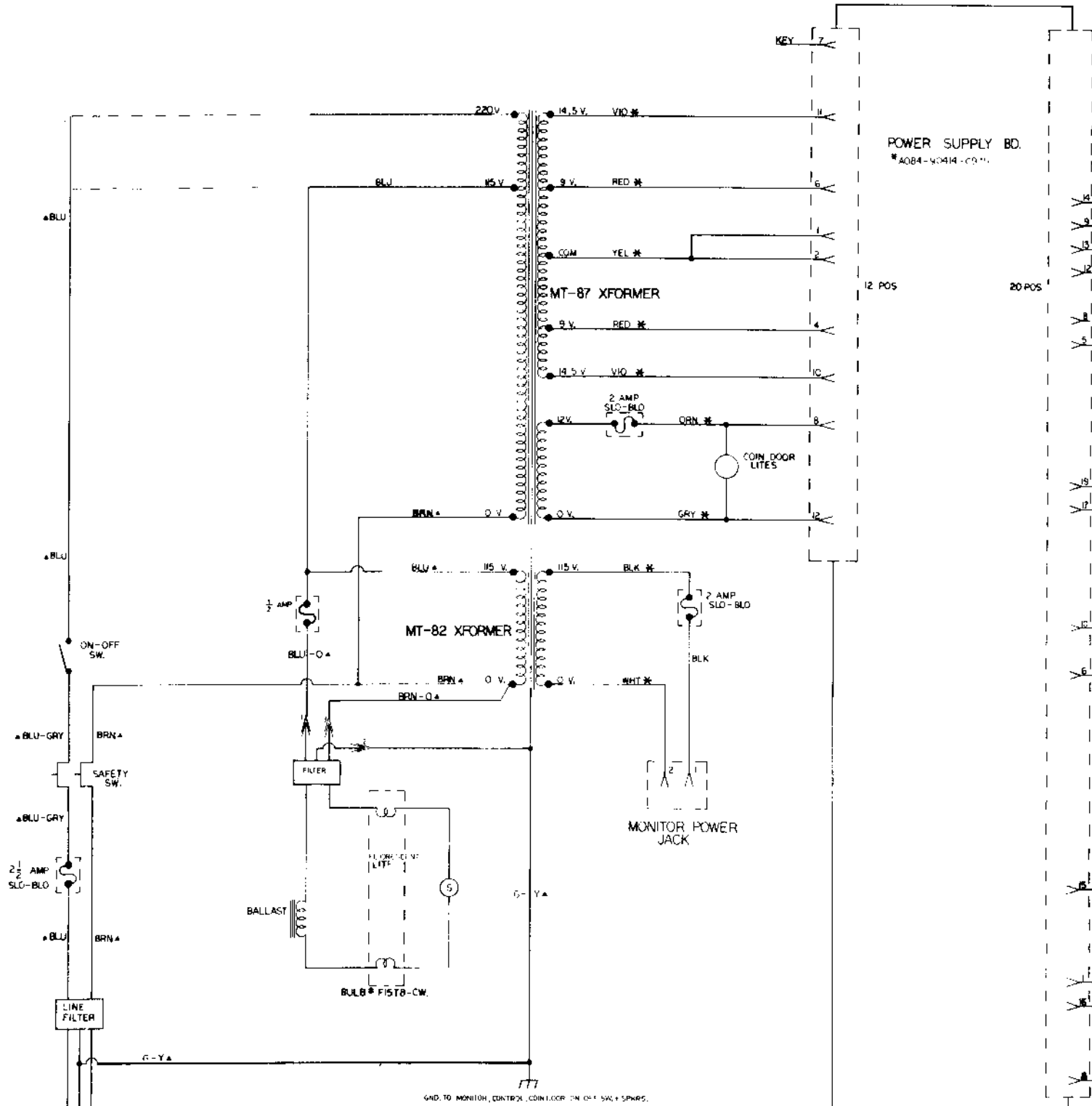


**DISPLAY****DESCRIPTION**

|     |    |  |
|-----|----|--|
| RAM | OK | All RAMs are good                                    |
| RAM | OL | RAM located on Video PC board at position 1K is bad. |
| RAM | OH | RAM located on Video PC board at position 1K is bad. |
| RAM | 1L | RAM located on Video PC board at position 1K is bad. |
| RAM | 1H | RAM located on Video PC board at position 1K is bad. |
| RAM | 2L | RAM located on Video PC board at position 3E is bad. |
| RAM | 2H | RAM located on Video PC board at position 3F is bad. |
| RAM | 3L | RAM located on Video PC board at position 3K is bad. |
| RAM | 3H | RAM located on Video PC board at position 3L is bad. |
| RAM | 4L | RAM located on Video PC board at position 3H is bad. |
| RAM | 4H | RAM located on Video PC board at position 3J is bad. |
| ROM | OK | All ROMs are good.                                   |
| ROM | 01 | ROM located on CPU PC board at position 3N is bad.   |
| ROM | 02 | ROM located on CPU PC board at position 3M is bad.   |
| ROM | 03 | ROM located on CPU PC board at position 3L is bad.   |
| ROM | 04 | ROM located on CPU PC board at position 3K is bad.   |
| ROM | 11 | ROM located on CPU PC board at position 3J is bad.   |
| ROM | 21 | ROM located on CPU PC board at position 3E is bad.   |

**Figure 4b. Board location coordinates (Self test display)**

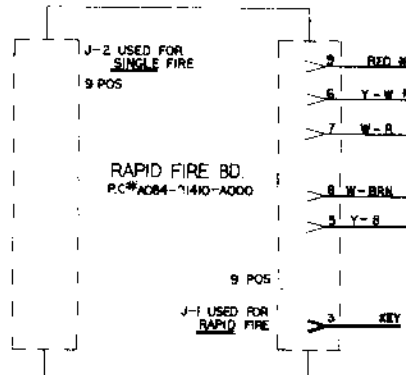
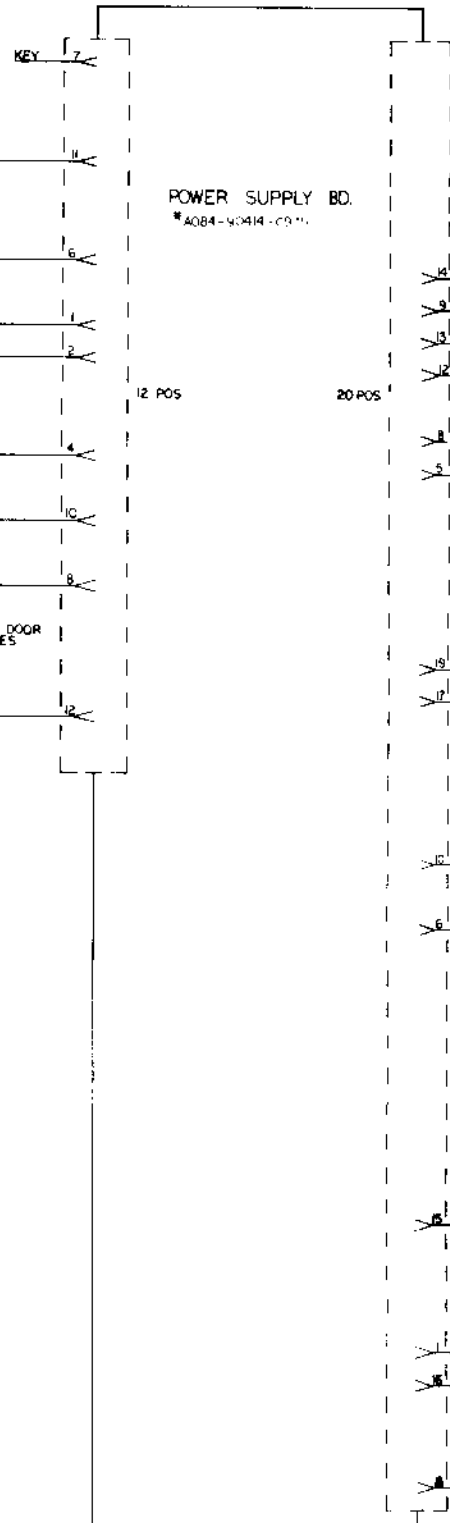


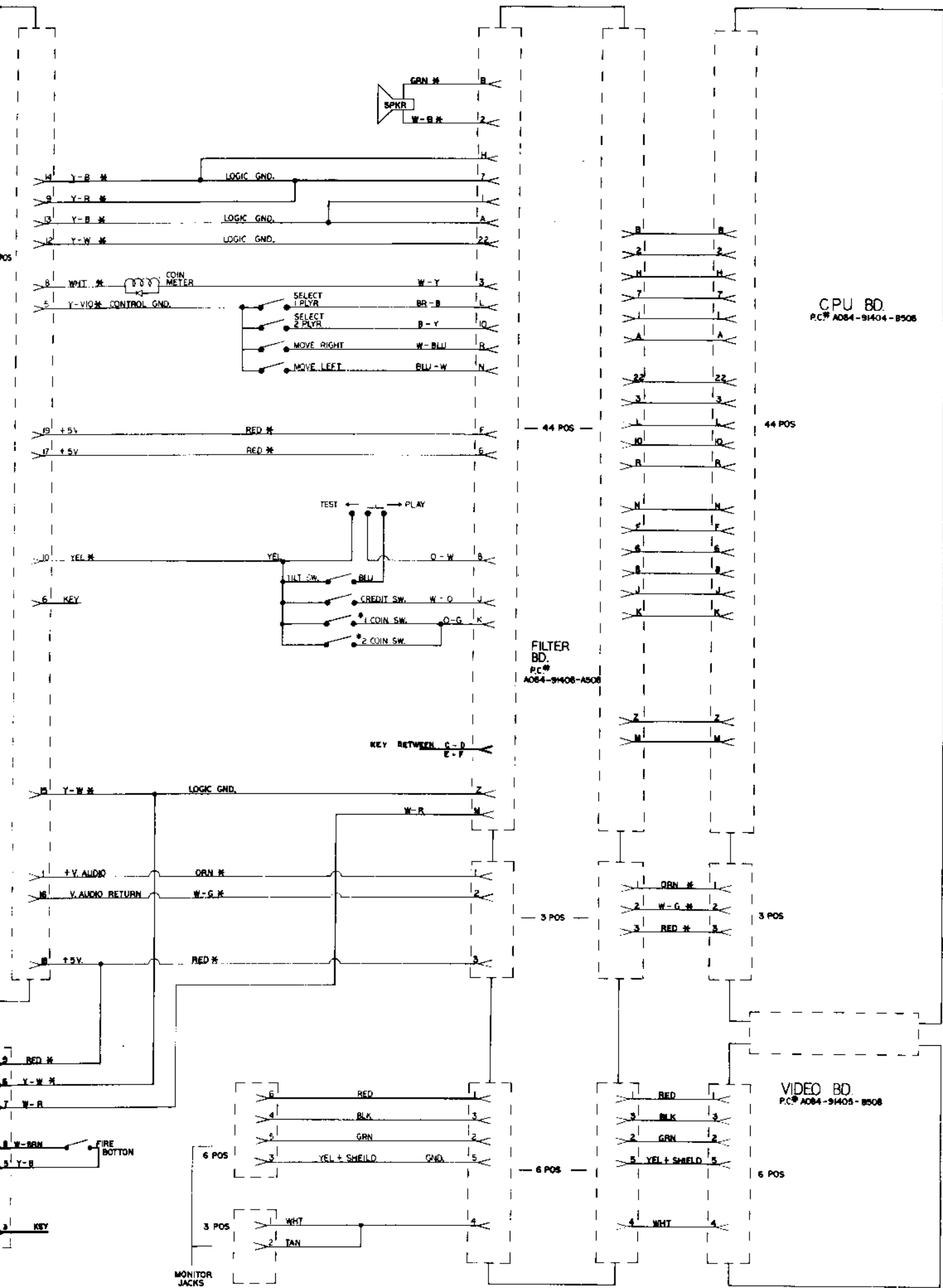
GALAGA U.R.  
SCHEMATIC \*MOSI-00508-A003

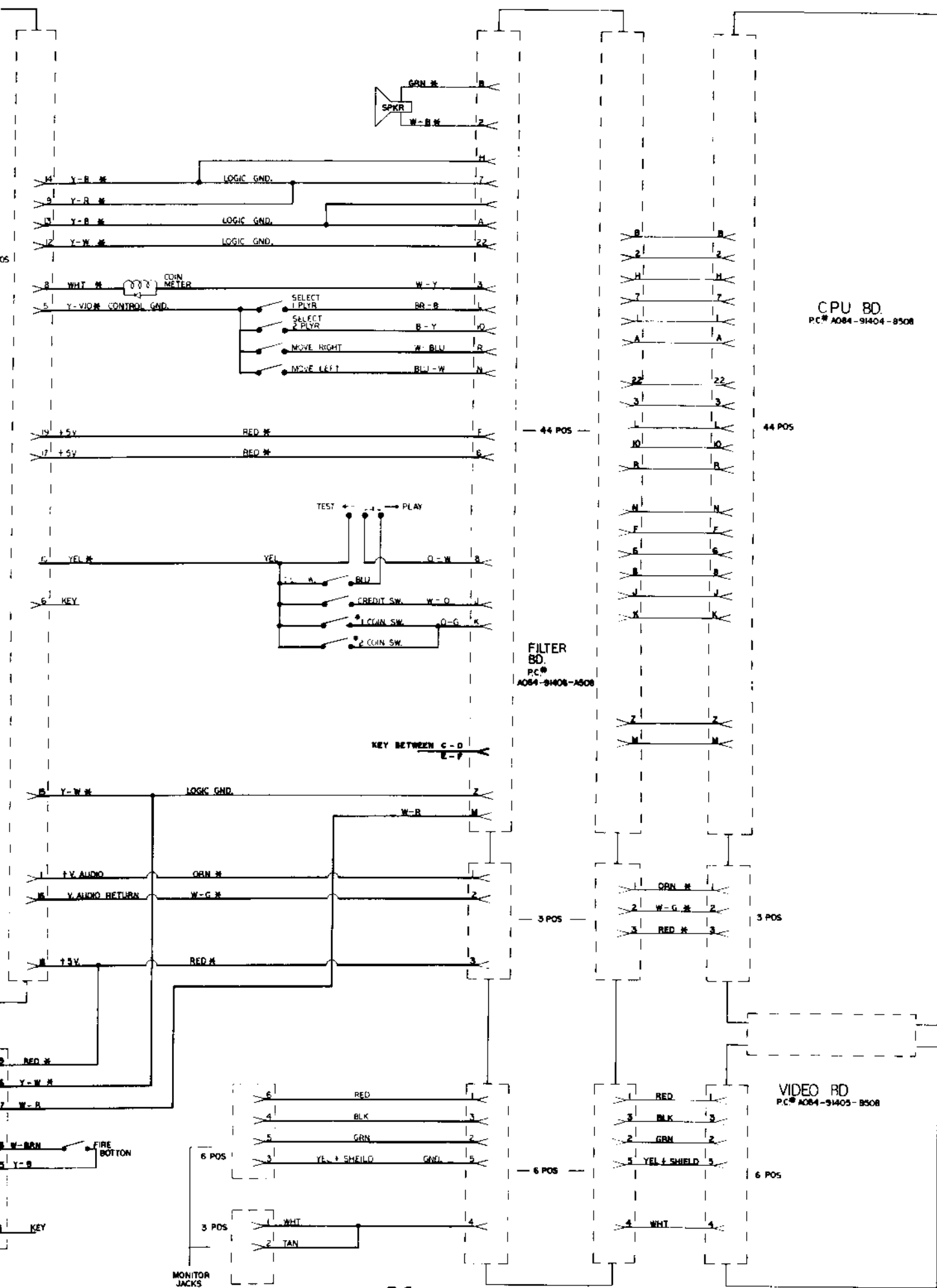
REVISIONS

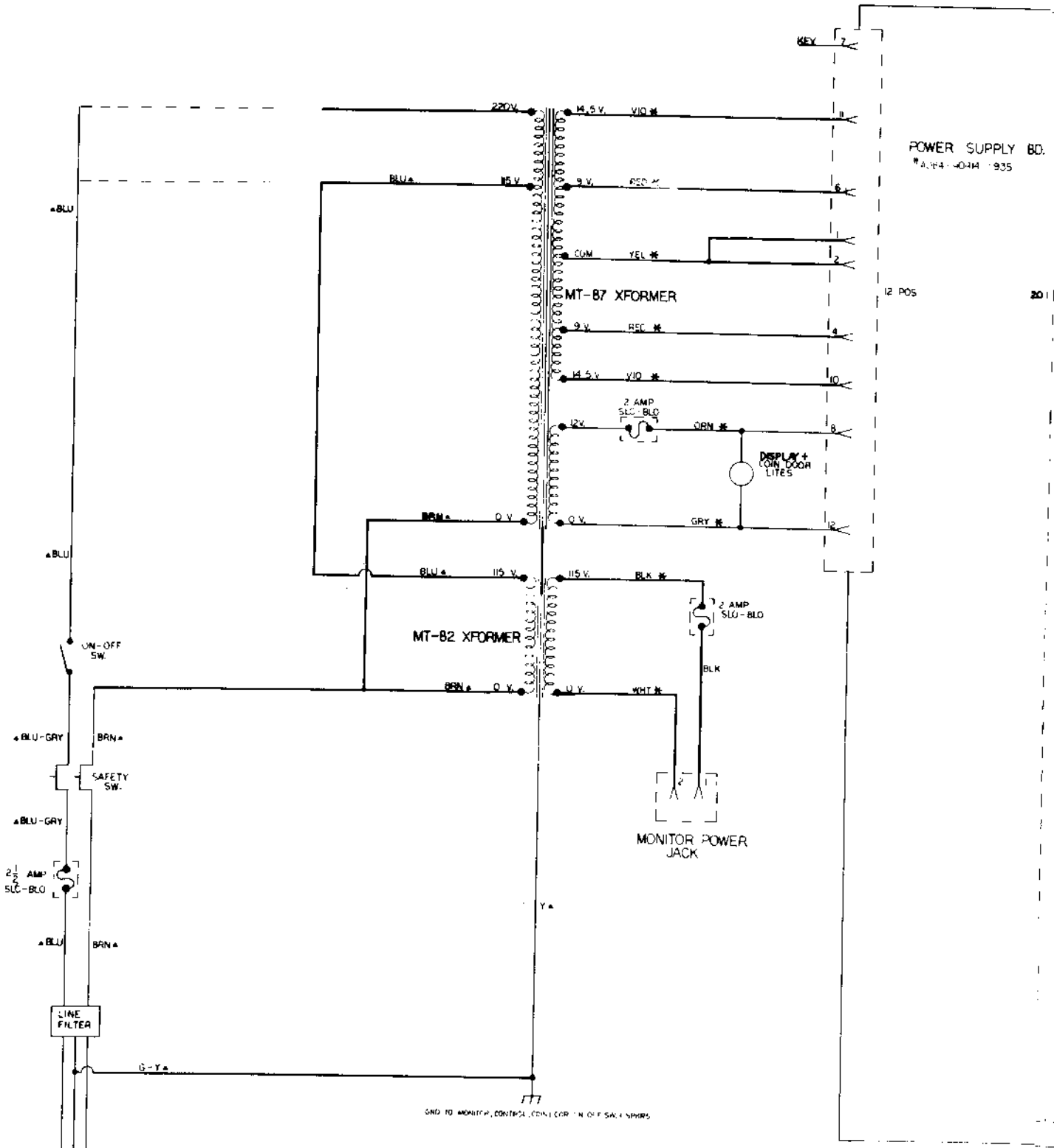
| REVISIONS                        | DATE     | BY        | NAME |
|----------------------------------|----------|-----------|------|
| A003 - 15W-01V<br>RAPID FIRE (J) | 11-29-81 | W. Kasper |      |
|                                  |          |           |      |
|                                  |          |           |      |
|                                  |          |           |      |
|                                  |          |           |      |

NOTES: 1. \* = RANGE  
2. ▲ = RANGE, MOD. INCL.









**GALAGA MINI**

WIRING SCHEMATIC NO51-00514-A003

REVISIONS

| REVISIONS                | DATE    | INITIALS     | NAME |
|--------------------------|---------|--------------|------|
| ADDED J-1 FOR R.F. BOARD | 9-29-51 | W. J. HARRIS |      |
|                          |         |              |      |
|                          |         |              |      |
|                          |         |              |      |
|                          |         |              |      |

NOTES: 1. R.F. BOARD  
2. A.S. BOARD GOVERNORS

POWER SUPPLY BD.  
#A104-0041-935

12 POS

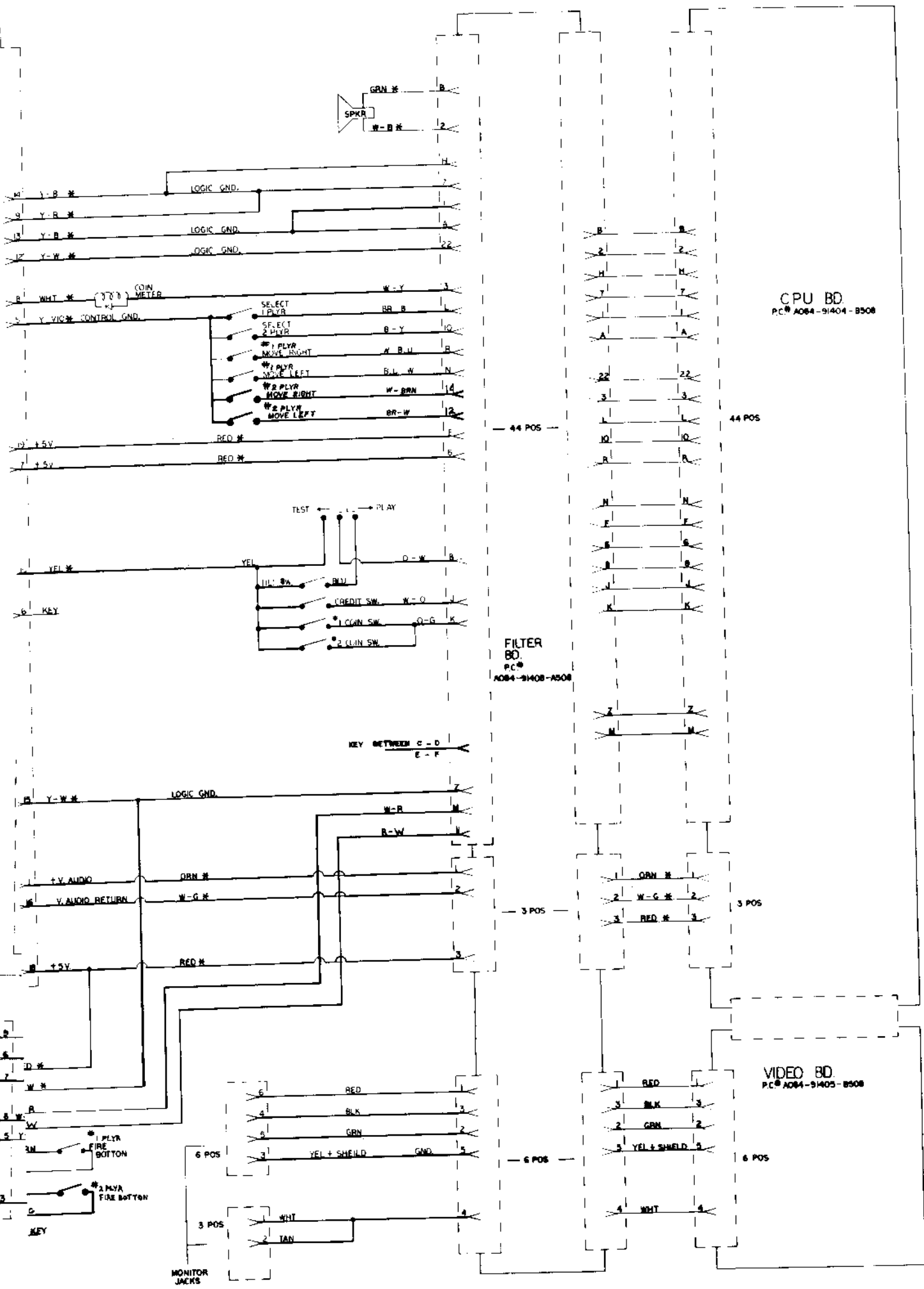
J-2 USED FOR  
SINGLE FIRE  
9 POS

RAPID FIRE BD.  
R.C.# A084-91410-A000

9 POS

J-1 USED FOR  
RAPID FIRE

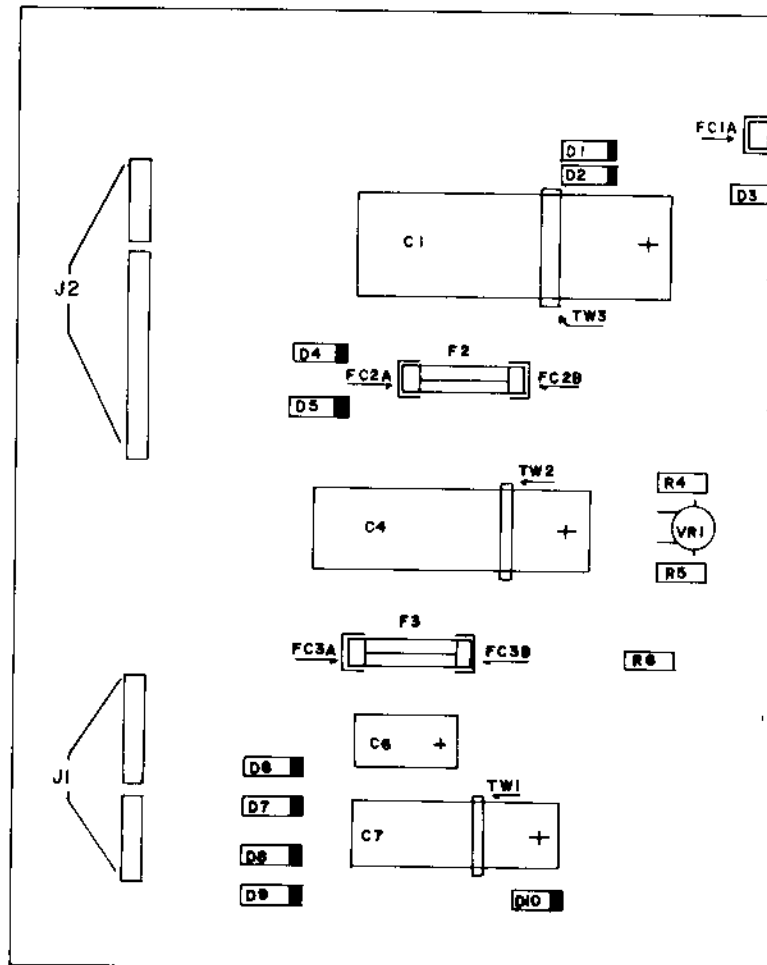




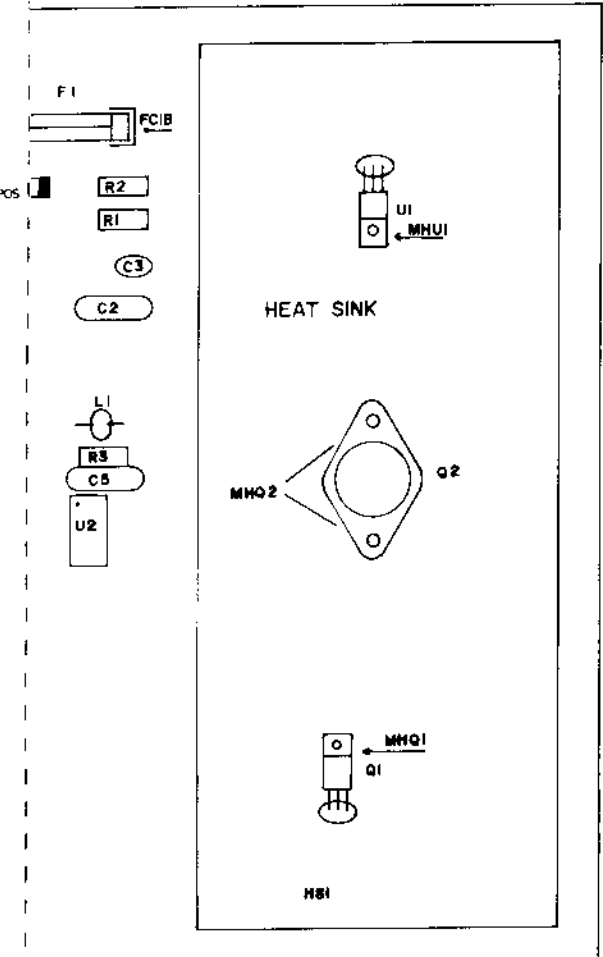
DESIGNATION

DESCRIPTION

|                  |   |
|------------------|---|
| C1               | 10000 MF 35V AX. ELEC.  |
| C2               | .01MF 50V AX. CER.  |
| C3               | 1MF 25V TANT.   |
| C4               | 20000MF 16V AX. ELEC.   |
| C5               | 100PF 50V AX. CER.  |
| C6               | 470 MF 16V AX. ELEC.  |
| C7               | 4700MF 25V " "  |
| R1               | 470 OHM 1/4W 5% CRBN  |
| R2               | 100 " " " "   |
| R3               | 2.7K " " " "  |
| R4               | 560 " " " "   |
| R5               | 510 " " " "   |
| R6               | 10 " " " "  |
| VR1              | 100 OHM 1/4W CRBN. FLM.   |
| D1, D2           | A14F  |
| D3               | 1N4004  |
| D4, D5           | MR750   |
| D6-D9            | A15F  |
| D10              | A14F  |
| Q1               | TIP31   |
| Q2               | 2N3065  |
| U1               | LM317   |
| U2               | 3632  |
| L1               | FERROXUBE BEAD  |
| HS1              | HEAT SNK  |
| F1               | FUSE 2A   |
| F2               | " 8A  |
| F3               | " 8A  |
| FC1A, FC1B, FC2A | FUSECLIP W/ STOP  |
| FC2B, FC3A, FC3B | " "   |
| J1               | CONN. KK.156 (RA)(5-PIN) (6-PIN)  |
| J2               | " " (RA)(5-PIN) (15-PIN)  |
| MHQ1             | MOUNTING HARDWARE Q1<br>(1) SCREW 4-40X10 SLT RND<br>(1) WSH.4 120-.250-018<br>(1) HEXNUT 4-40<br>(1) SHOULDER WSH. 974-302<br>THERMAL COMPOUND AS REQ.<br>(1) TO-220 INSULATOR RT-3.5 MICA |
| MHQ2             | MOUNTING HARDWARE Q2<br>(2) SCREW 4-40X10 SLT RND<br>(2) WSH.4 120-.250-018<br>(2) HEXNUT 4-40<br>(2) SHOULDER WSH. 974-302<br>THERMAL COMPOUND AS REQ.<br>(1) TO-3 RT-1.5 FILM             |
| MHU1             | MOUNTING HARDWARE U1<br>(1) SCREW 4-40X10 SLT RND<br>(1) WSH.4 120-.250-018<br>(1) HEXNUT 4-40<br>(1) SHOULDER WSH. 974-302<br>THERMAL COMPOUND AS REQ.<br>(1) TO-220 INSULATOR RT-3.5 MICA |
| TW1-TW3          | TIE WRAPS   |





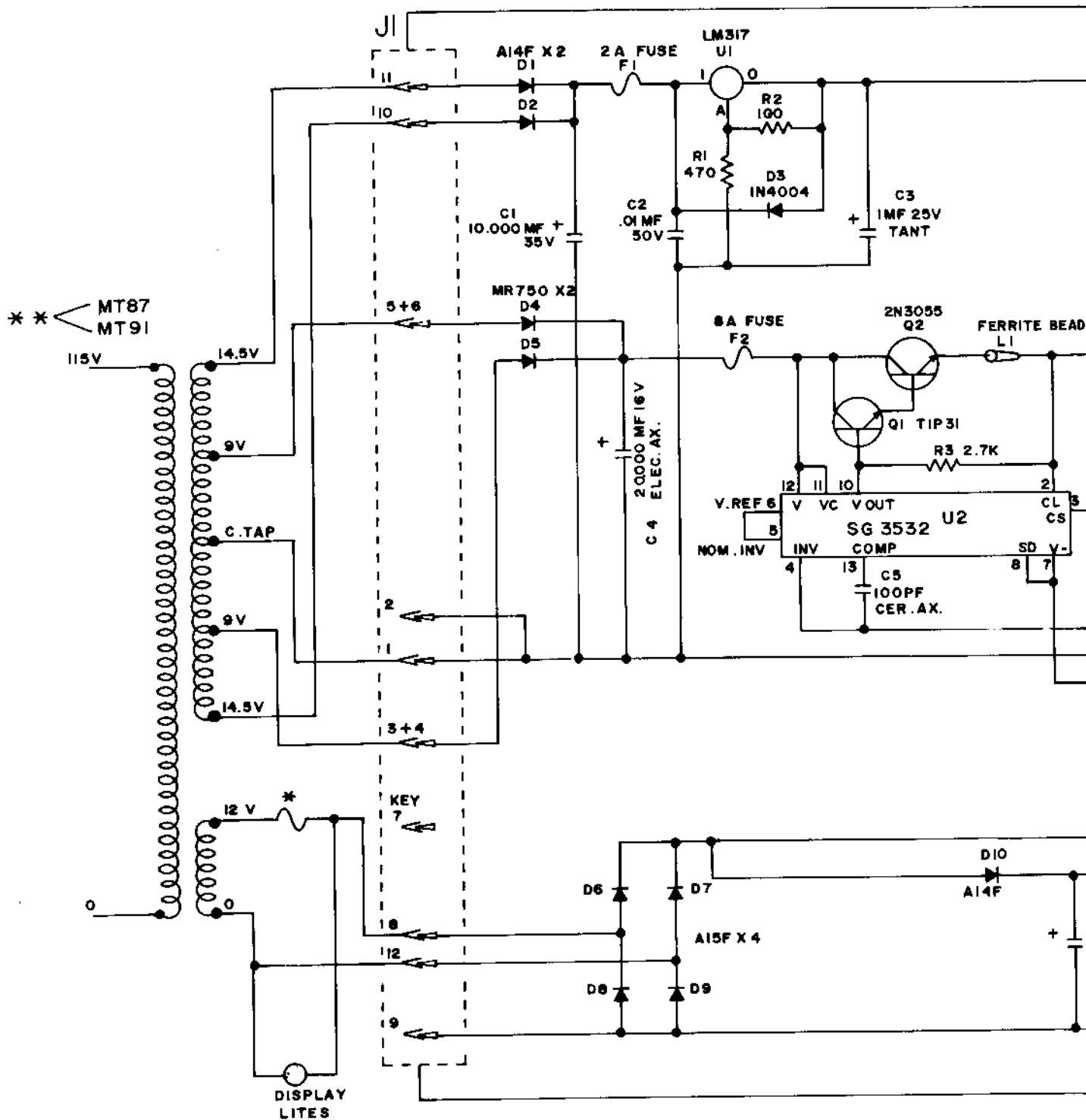


| DESCRIPTION          | QTY     | DESIGNATION                       | PART NUMBER     |
|----------------------|---------|-----------------------------------|-----------------|
| 100 PF 50v AX.CER.   | 1       | C5                                | 0171-043H6-JXVX |
| .01MF "              | 1       | C2                                | 0171-097H2-JXXX |
| 1MF 25v TANT.        | 1       | C3                                | 0935-00814-0100 |
| 470MF AX.ELEC.       | 1       | C6                                | 0175-271EX-EXXX |
| 4700MF "             | 1       | C7                                | 0175-314EX-EXBX |
| 10000MF 35v AX.ELEC. | 1       | C1                                | 0175-322GX-EXBX |
| 20000 16v MF "       | 1       | C4                                | 0935-00814-0800 |
| 10 OHM 1/4w 5% CBN   | 1       | R6                                | 0062-051B3-1XXX |
| 100 " " " "          | 1       | R2                                | 0062-110B3-1XXX |
| 470 " " " "          | 1       | R1                                | 0062-156B3-1XXX |
| 510 " " " "          | 1       | R5                                | 0062-159B3-1XXX |
| 560 " " " "          | 1       | R4                                | 0062-162B3-1XXX |
| 2.7K " " " "         | 1       | R3                                | 0062-199B3-1XXX |
| 100 " " CBN FLM      | 1       | VR1                               | 0063-025AX-1DEX |
| 1N4004               | 1       | D3                                | 0508-00801-0200 |
| A14F                 | 3       | D1,D2,D10                         | 0064-168XX-XXGX |
| A15F                 | 4       | D6-D9                             | 0064-169XX-XXGX |
| MR750                | 2       | D4,D5                             | 0064-303XX-XXJX |
| TIP31                | 1       | Q1                                | 0065-485XX-XXXX |
| 2N3055               | 1       | Q2                                | 0935-00800-0000 |
| 3532                 | 1       | U2                                | 0066-044BX-XXXX |
| LM317                | 1       | U1                                | 0935-00804-3600 |
| FERROXCUBE BEAD      | 1       | L1                                | 0017-00009-0225 |
| HEAT SINK            | 1       | HS1                               | 0068-045XX-ABDX |
| FUSE 2A              | 1       | F1                                | 0017-00003-0005 |
| FUSE 6A              | 1       | F3                                | 0017-00003-0008 |
| FUSE 8A              | 1       | F2                                | 0017-00003-0184 |
| FUSECLIP             | 6       | FC1A,FC1B,FC2A,<br>FC2B,FC3A,FC3B | 0017-00003-0214 |
| KK 156 (RA) (5)      | 2       | J1,J2                             | 3000-16387-0500 |
| KK 156 (RA) (6)      | 1       | J1                                | 3000-16387-0600 |
| KK 156 (RA) (13)     | 1       | J2                                | 3000-16387-1300 |
| SCREW 4-40x10        | 4       | MHU1,MHQ1,MHQ2                    | 0017-00101-0727 |
| WSH 4 120-250-018    | 4       | " " "                             | 0017-00104-0071 |
| HEXNUT 4-40          | 4       | " " "                             | 0017-00103-0002 |
| SHOULDER WSH         | 4       | " " "                             | 0017-00042-0109 |
| THERMAL COMPOUND     | AS REQ. | " " "                             | 0017-00009-0204 |
| TO-220,INSULATOR     | 2       | MHU1,MHQ1                         | 0017-00003-0205 |
| TO-3 INSULATOR       | 1       | MHQ2                              | 0017-00042-0108 |
| TIE WRAPS            | 3       | TW1-TW3                           | 0017-00042-0105 |

M051-00935-C028

THIS DWG IS CONFIDENTIAL & PROPERTY OF MIDWAY MFG CO

|   |                             |   |   |
|---|-----------------------------|---|---|
| DIM TOLERANCES<br>UNLESS OTHERWISE SPEC | FIRST<br>DESIGNER<br>GALAGA | <b>MIDWAY MFG. CO.</b><br>FRANKLIN PK., IL 60131<br>A BALLY CO. | <b>REVISIONS</b><br>PART NO<br><b>A084-96414 C935</b> |
| CONCENTRICITY ± .002                    | DATE<br>12-10-81            |   |   |
| FRACTIONAL ± .004                       | APP'D<br>MAM                | <b>POWER SUPPLY</b>   |   |
| DECIMAL ± .005                          | MATERIAL                    |   |   |
| HOLE DIA ± .002                         | FINISH                      |   |   |
| ANGLE ± .02°                            |                             |   |   |
| DO NOT SCALE DWG                        |                             |   |   |



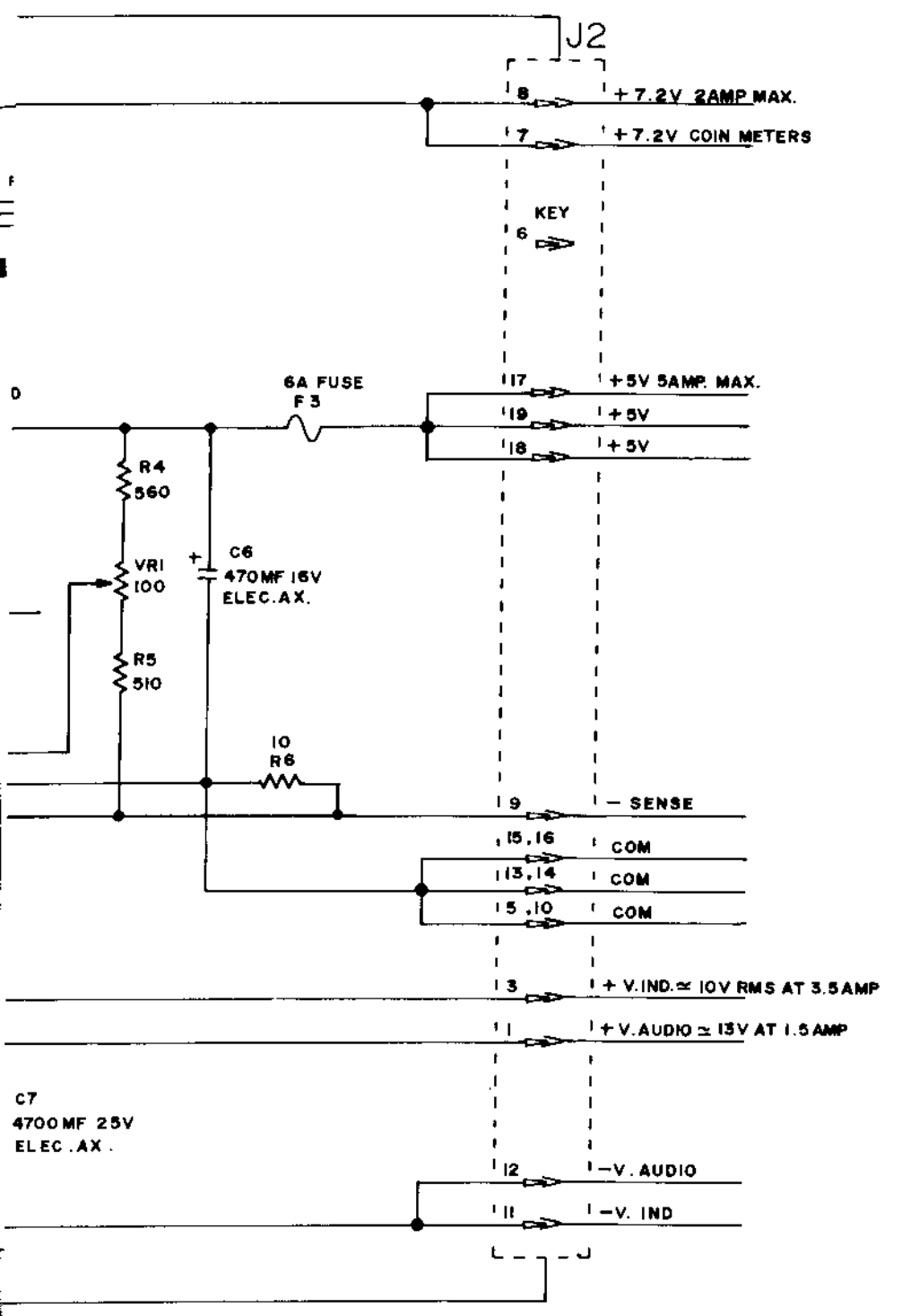
NOTES:

\* 2AMP FUSE W/O DISPLAY LITES

\*\* MT87 FOR UR.

MT91 FOR C.T.

| DO NOT SCALE                     |              |
|----------------------------------|--------------|
| DIM. TOLERANCES UNLESS SPECIFIED | DWG.         |
| CONCENTRICITY T.I.R. .003        | CHK.         |
| FRACTIONAL 1/16"                 | DECIMAL .005 |
| HOLE DIA. + .002                 | DR.          |



SCHEMATIC: M051-00935-C025

REVISIONS

|             |            |       |
|-------------|------------|-------|
| DWG         | HEAT TREAT | SCALE |
| <i>M.M.</i> |            | FULL  |
|             | MAT'L      |       |
|             | FINISH     |       |

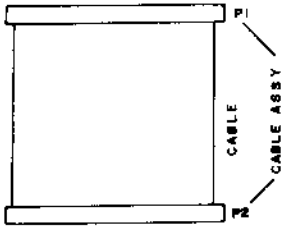
|          |        |
|----------|--------|
| USED ON  | GALAGA |
| NO REQ'D | PER    |

**MIDWAY MFG. CO.**  
FRANKLIN PK ILL

POWER SUPPLY

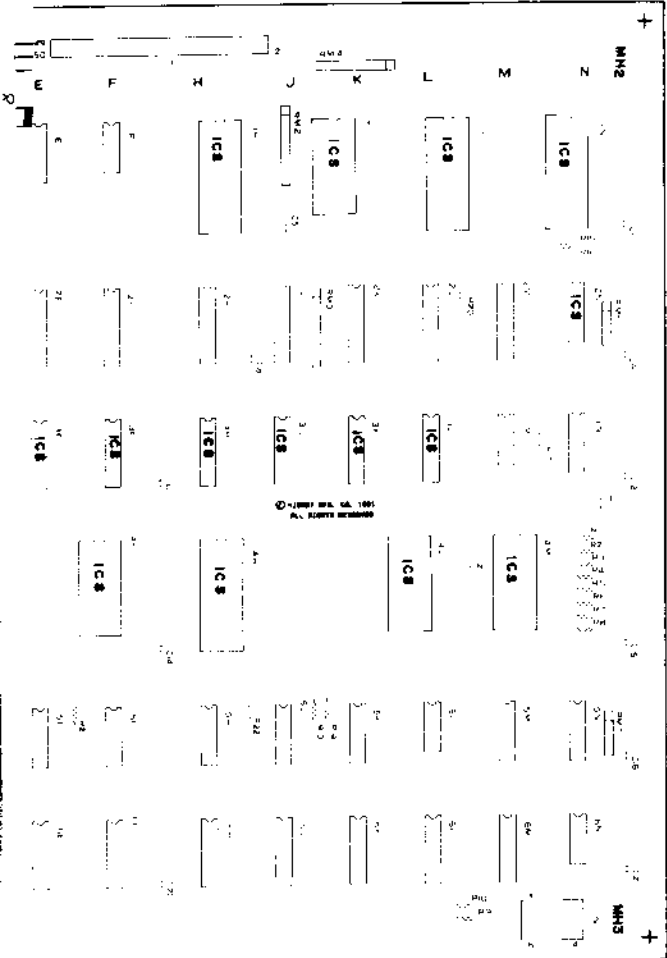
PART NO  
A084-90414-C935



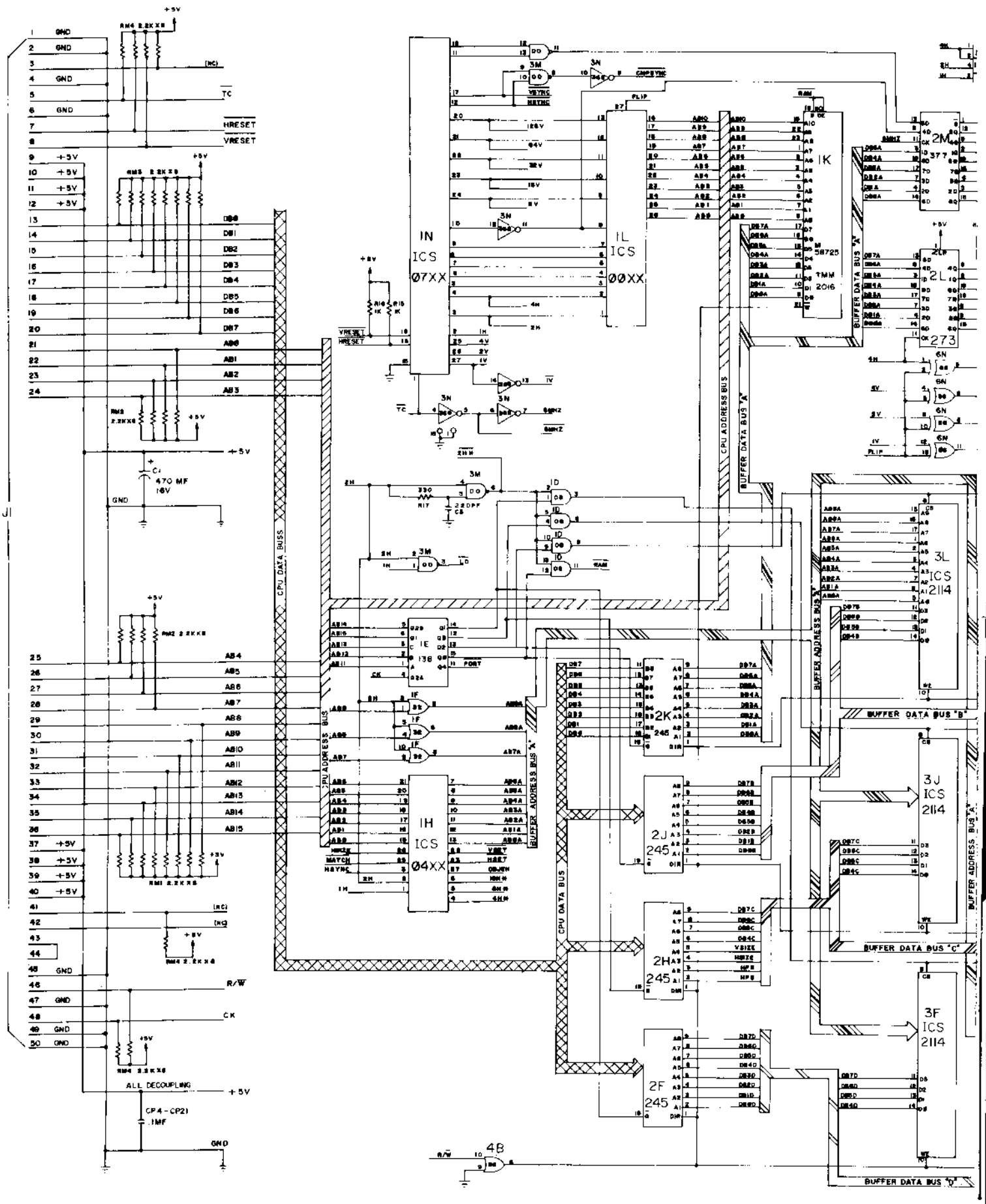


## CROSS REFERENCE LIST

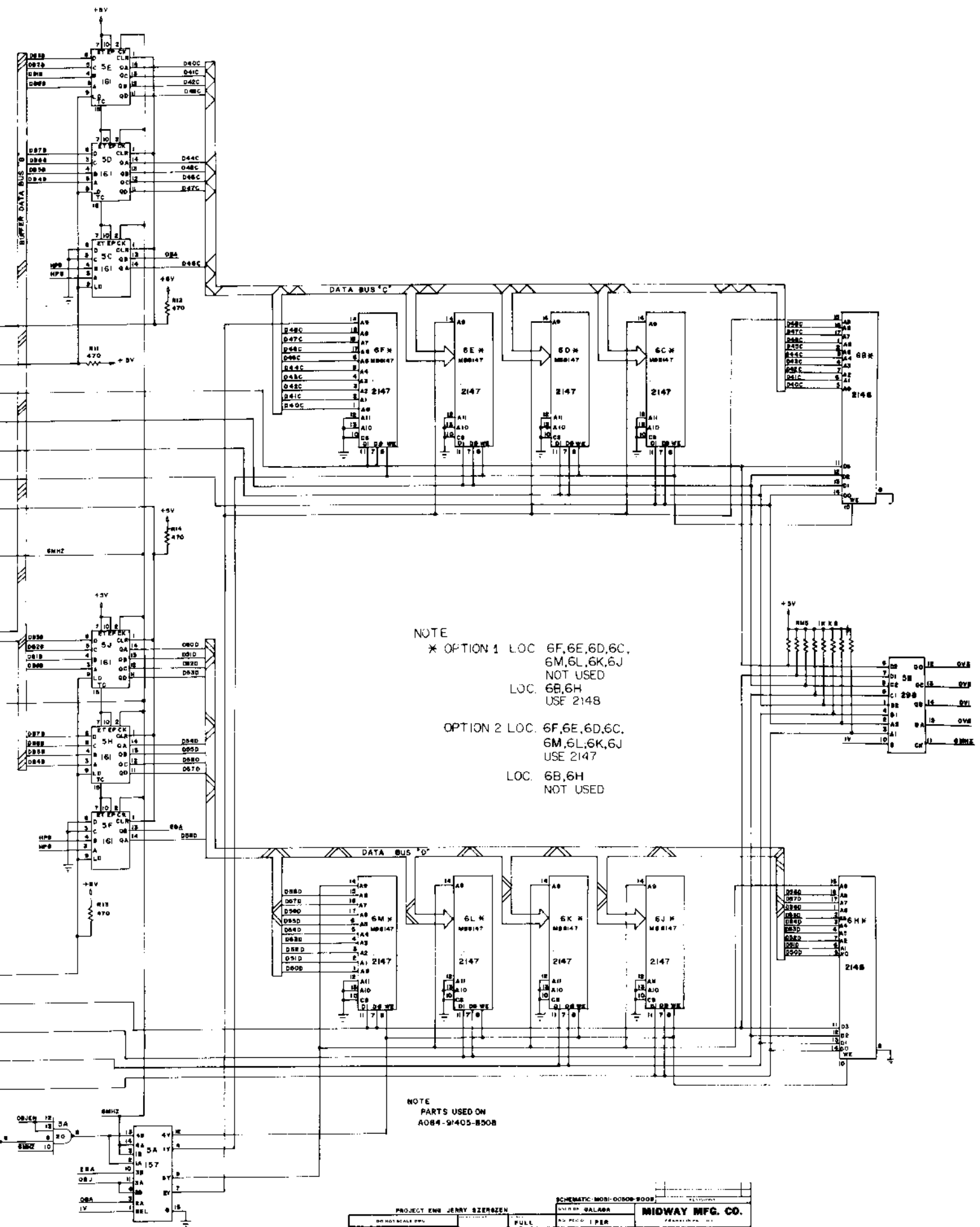
| DESCRIPTION   | QUANTITY | DESIGNATION                      | PART #            |
|---|----------|----------------------------------|-------------------|
| 220PF 500V 15% MICA CAP   | 1        | C3                               | 0508-00800-0100   |
| 100MF 50V CER CAP   | 1        | C2                               | 0508-00800-0200   |
| 1 MF  | 16       | C4-C21                           | 0508-00800-0300   |
| 470MF 16V AX. ELEC  | 1        | C1                               | 0508-00800-0400   |
| 100 OHM 1/4 W 5% CRBN. RES.   | 1        | R10                              | 0062-11085-1XXX   |
| 220 " " " " " "   | 3        | R1, R3, R6                       | 0062-13363-1XXX   |
| 330 " " " " " "   | 1        | R7                               | 0062-14483-1XXX   |
| 470 " " " " " "   | 7        | R2, R4, R7, R11-R14              | 0062-15683-1XXX   |
| 1K  | 10       | R5, R8, R9, R15, R16, R18-R22    | 0062-17883-1XXX   |
| 1K 8P (4-UNIT) 5-PIN  | 3        | RM6-RM8                          | 0508-00804-0100   |
| 1K 8P (8-UNIT) 9-PIN  | 1        | RM5                              | 0508-00804-0200   |
| 2.2K  | 4        | RM1-RM4                          | 0508-00804-0300   |
| 00XX CUSTOM IC  | 1        | IC1L                             | 0066-001CX-XAPX   |
| 02XX " " " "  | 1        | IC4H                             | 0066-002CX-XAPX   |
| 04XX " " " "  | 1        | IC1H                             | 0066-003CX-XAPX   |
| 08XX " " " "  | 1        | IC4M                             | 0066-004CX-XAPX   |
| 07XX " " " "  | 1        | IC1H                             | 0066-006CX-XAPX   |
| 2114-2 ST. RAM 200NS (1024X4)   | 6        | IC3E, 3F, 3H, 3J, 3K, 3L         | 0508-00803-0300   |
| 74LS00  | 1        | IC3M                             | 0508-00803-0400   |
| 74LS00  | 1        | IC1D                             | 0508-00803-0500   |
| 74LS20  | 3        | IC2B, 3A, 5L                     | 0508-00803-0600   |
| 74LS32  | 1        | IC1F                             | 0508-00803-0700   |
| 74LS84  | 4        | IC3B, 4B, 4C, 6N                 | 0508-00803-0800   |
| 74LS138   | 1        | IC1E                             | 0508-00803-0900   |
| 74LS155   | 1        | IC1B                             | 0508-00803-1000   |
| 74LS157   | 1        | IC4A                             | 0508-00803-1100   |
| 74LS181   | 6        | IC5C, 5D, 5E, 5F, 5H, 5J         | 0508-00803-1200   |
| 74LS245   | 4        | IC2F, 2H, 2J, 2K                 | 0508-00803-1300   |
| 74LS257   | 1        | IC5M                             | 0508-00803-1400   |
| 74LS259   | 1        | IC5K                             | 0508-00803-1500   |
| 74LS273   | 3        | IC2C, 2E, 2L                     | 0508-00803-1600   |
| 74LS283   | 2        | IC3C, 3D                         | 0508-00803-1700   |
| 74LS298   | 1        | IC5B                             | 0508-00803-1800   |
| 74LS365   | 2        | IC5A, 6A                         | 0508-00803-1900   |
| 74LS368   | 1        | IC3N                             | 0508-00803-2000   |
| 74LS377   | 2        | IC2D, 2M                         | 0508-00803-2100   |
| 08-3 PROM (256X4)   | 1        | IC1C                             | 0508-00803-2200   |
| 08-4 " " " "  | 1        | IC2N                             | 0508-00803-3000   |
| 08-5 PROM (32X8)  | 1        | IC5N                             | 0508-00803-3100   |
| 08-J EPROM (4096X8)   | 1        | IC4L                             | 0508-00803-2600   |
| 08-K " " " "  | 1        | IC4F                             | 0508-00803-2700   |
| 08-L " " " "  | 1        | IC4D                             | 0508-00803-2800   |
| STATIC RAM (2KX8)   | 1        | IC1K                             | 0508-00803-2500   |
| * VIDEO RAM KIT *   | 1        | MAIN PHATOM                      | 0508-00803-4000   |
| * OPTION 1 *  | 1        | SUB PHATOM                       | NOT RELEASED      |
| - 2148 RAM (1KX4)   | 2        | IC6B, 6H                         | (IN ABOVE NUMBER) |
| * OPTION 2 *  | 1        | SUB PHATOM                       | 0508-00803-2200   |
| - 2147 RAM (4KX1)   | 8        | IC6C, 6D, 6E, 6F, 6G, 6K, 6L, 6M | (IN ABOVE NUMBER) |
| * NOTE: ASSEMBLY TO INCLUDE EITHER "OPTION 1" OR "OPTION 2" AS PER LATEST RELEASED B.O.M. |          |                                  |                   |
| 16-PIN IC SOCKET  | 3        | IC3K, 2N, 5N                     | 0508-00804-0700   |
| 18-PIN " " " "  | 6        | IC5E, 3F, 3H, 3J, 3K, 3L         | 0508-00804-0800   |
| 24-PIN " " " "  | 5        | IC5K, 4D, 4F, 4L, 4M             | 0508-00804-0500   |
| 28-PIN " " " "  | 4        | IC5H, 1L, 1N, 4H                 | 0508-00804-0400   |
| CONNECTOR - R.A. HEADER 50-PIN  | 1        | J1                               | 0508-00804-0800   |
| CONNECTOR - PCB HEADER 6-PIN  | 1        | J2                               | 0017-00021-0424   |
| MOUNTING HARDWARE -   |          |                                  |                   |
| DUAL LKG. PCB SPACER  | 4        | MH1-MH4                          | 0017-00042-0253   |
| PCB   | 1        | " GALAGA" VIDEO P.C.B            | A080-91405-8508   |
| CABLE ASSEMBLY  | 1        | CABLE ASSY                       | A508-00027-0000   |
| 50-PIN  |          |                                  |                   |
| PLUG - SOCKET CONNECTOR   | 2        | P1, P2                           | 0508-00804-0900   |
| RIBBON CABLE - .33 FT   | 1        | CABLE                            | 0017-00033-0348   |
| 50-CONDUCTOR 28GA STRND AND CONDUCTOR   |          |                                  |                   |



|                                 |  |                         |  |                          |  |
|---------------------------------|--|-------------------------|--|--------------------------|--|
| PROJECT ENG JERRY SZERSZEN      |  | ASSEMBLY M051-00508-007 |  | REVISIONS                |  |
| DO NOT SCALE DWG                |  | MATERIAL                |  | MIDWAY MFG. CO.          |  |
| DIM TOLERANCES UNLESS SPECIFIED |  | FULL                    |  | FRANKLIN PK. ILL         |  |
| DATE 08-22-81                   |  | GALAGA VIDEO P.C        |  | PART NO. A084-91405-8508 |  |







NOTE  
 \* OPTION 1 LOC 6F,6E,6D,6C,  
 6M,6L,6K,6J  
 NOT USED  
 LOC. 6B,6H  
 USE 2148  
 OPTION 2 LOC. 6F,6E,6D,6C,  
 6M,6L,6K,6J  
 USE 2147  
 LOC. 6B,6H  
 NOT USED

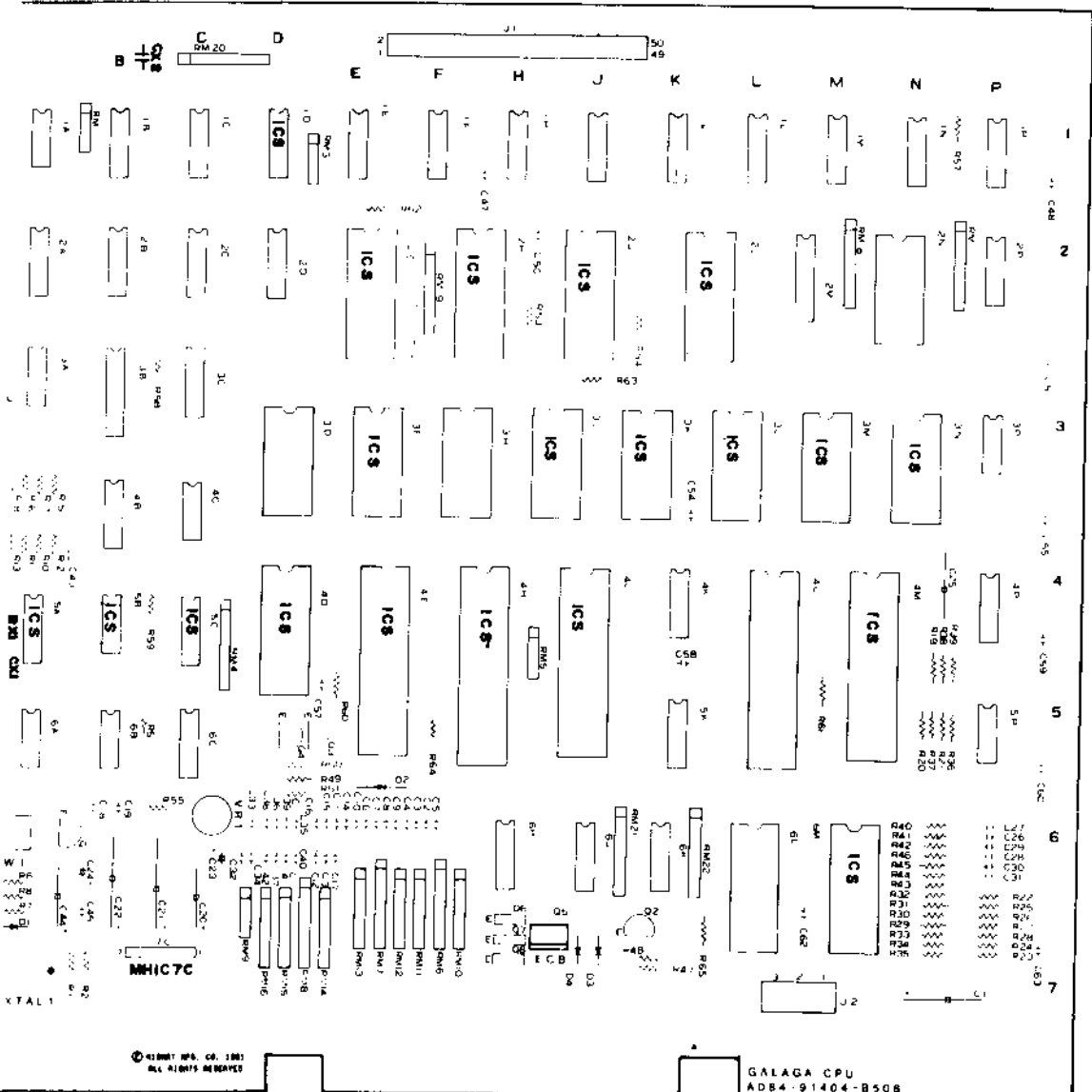
NOTE  
 PARTS USED ON  
 A084-91405-B508



## DESIGNATION LIST

| DESIGNATION | DESCRIPTION             | DESIGNATION              | DESCRIPTION  |
|-------------|-------------------------|--------------------------|--|
| C1          | 470MF 16V AX. ELEC      | RMI-RM3                  | 1K OHM 4-UNIT 5-PIN SIP                                  |
| C2-C17      | .01MF 50V CER           | RM4                      | 1K OHM 8-UNIT 9-PIN SIP                                  |
| C18         | .1MF " "                | RM5                      | 1K OHM 4-UNIT 5-PIN SIP                                  |
| C19         | .01MF " "               | RM6, RM7                 | 1K OHM 8-UNIT 9-PIN SIP                                  |
| C20         | 22 MF 35V AX. ELEC      | RM8                      | NOT USED   |
| C21         | 220 MF 16V AX. ELEC     | RM9                      | 1K OHM 4-UNIT 5-PIN SIP                                  |
| C22         | 100 MF " "              | RM10-RM13                | 2.2K OHM 4-UNIT 8-PIN SIP                                |
| C23, C24    | .15 MF 25V 10% RD. TANT | RM14, RM15               | NOT USED   |
| C28         | 10 MF 16V AX. ELEC      | RM16                     | 220 OHM 4-UNIT 8-PIN SIP                                 |
| C26-C29     | .01MF 100V 10% MYLAR    | RM17-RM20                | 2.2K OHM 8-UNIT 9-PIN SIP                                |
| C30-C42     | NOT USED                | RM21, RM22               | 4.7K OHM 8-UNIT 9-PIN SIP                                |
| C43         | .0022 MF 50V 10% CER    |                          |  |
| C44         | 10MF 16V AX. ELEC       | VR1                      | 1K OHM 1/4w CRBN. POT UP<br>W/O KNOB ALPS "HIO51A-1K OHM |
| C45         | 100PF 50V CER           |                          |  |
| C48-C63     | .1MF 50V CER            |                          |  |
| R1, R2      | 330 OHM 1/4w 5% CRBN    | D1                       | 1N914B   |
| R3, R4      | NOT USED                | D2-D4                    | NOT USED   |
| R5          | 100 OHM 1/4 5% CRBN     | Q1                       | 2N3391A  |
| R6          | 1K " " " "              | Q2                       | 2N4403   |
| R7, R8      | 10K " " " "             | Q3, Q4                   | NOT USED   |
| R9          | NOT USED                | Q5                       | TIP 110  |
| R10         | 10K OHM 1/4w 5% CRBN    | Q6-Q8                    | NOT USED   |
| R11         | 22K " " " "             |                          |  |
| R12         | 47K " " " "             | IC 1A                    | 74LS107  |
| R13         | 100K " " " "            | " 1B                     | 74LS283  |
| R14         | NOT USED                | " 1C                     | 74LS174  |
| R15         | 470 OHM 1/4w 5% CRBN    | " 1D                     | GG-1 PROM (256 X 4)                                      |
| R16         | 1K " " " "              | " 1E, 1F, 1H, 1J, 1K, 1L | 74LS367  |
| R17         | 2.2K " " " "            | " 1M, 1N                 | 74LS367  |
| R18         | 4.7K " " " "            | " 1P                     | 74LS158  |
| R19         | 10K " " " "             | " 2A, 2B                 | 7489   |
| R20         | 3.3K " " " "            | " 2C                     | 74LS157  |
| R21-R28     | NOT USED                | " 2D                     | 74LS156  |
| R29         | 4.7K OHM 1/4w 5% CRBN   | " 2E, 2H, 2J             | 08XX CUSTOM IC   |
| R30         | 10K " " " "             | " 2L                     | 08XX " "   |
| R31         | 22K " " " "             | " 2M, 2N                 | NOT USED   |
| R32, R33    | 47K " " " "             | " 2P                     | 74LS156  |
| R34         | 10K " " " "             | " 3A                     | 4066 CMOS  |
| R35         | 150K " " " "            | " 3B                     | 74LS273  |
| R36         | 33K " " " "             | " 3C                     | 74LS259  |
| R37         | 10K " " " "             | " 3D                     | NOT USED   |
| R38         | 3.3K " " " "            | " 3E                     | GG-0 EPROM (4K X 8)                                      |
| R39         | 2.2K " " " "            | " 3H                     | NOT USED   |
| R40         | 470K " " " "            | " 3J                     | GG-E EPROM (4K X 8)                                      |
| R41         | 22K " " " "             | " 3K                     | GG-D " "   |
| R42         | 150K " " " "            | " 3L                     | GG-C " "   |
| R43         | 4.7K " " " "            | " 3M                     | GG-B " "   |
| R44         | 10K " " " "             | " 3N                     | GG-A " "   |
| R45         | 2.2K " " " "            | " 3P                     | 74LS32   |
| R46         | 47K " " " "             | " 4B                     | 74LS159  |
| R47, R48    | 470 " " " "             | " 4C                     | 74LS32   |
| R49, R50    | NOT USED                | " 4D                     | 07XX CUSTOM IC   |
| R51         | 10K OHM 1/4w 5% CRBN    | " 4E                     | Z80 MICROPROCESSOR 2.5MHZ                                |
| R52-R54     | 1K " " " "              | " 4H                     | 51XX CUSTOM IC   |
| R55         | NOT USED                | " 4J                     | Z80 MICROPROCESSOR 2.5MHZ                                |
| R56-R63     | 1K OHM 1/4w 5% CRBN     | " 4K                     | 74LS151  |
| R64, R65    | 4.7K " " " "            | " 4L                     | NOT USED   |
| CX1         | 33PF 50V CER            | " 4M                     | Z80A MICROPROCESSOR 4.0MHZ                               |
| CX2         | 100PF " "               |                          |  |
| RX1         | 1K OHM 1/4w 5% CRBN     |                          |  |





| DESCRIPTION              | QUA |
|--------------------------|-----|
| 33PF 50V CER             |     |
| 100PF "                  |     |
| .0022MF " "              |     |
| .01MF 25V CER            |     |
| .01MF 100V MYLAR         |     |
| .1MF 50V CER             |     |
| .15MF 25V R.D TANT       |     |
| 10MF 16V AX. ELEC        |     |
| 22MF 35V                 |     |
| 100MF 16V                |     |
| 220 MF 16V               |     |
| 470MF16V                 |     |
| 100 OHM 1/4w CRBN RESIS  |     |
| 330 " " " " " "          |     |
| 470 " " " " " "          |     |
| 1K " " " " " "           |     |
| 2.2K " " " " " "         |     |
| 3.3K " " " " " "         |     |
| 4.7K " " " " " "         |     |
| 10K " " " " " "          |     |
| 22K " " " " " "          |     |
| 33K " " " " " "          |     |
| 47K " " " " " "          |     |
| 100K " " " " " "         |     |
| 150K " " " " " "         |     |
| 470K " " " " " "         |     |
| 220 OHM 8IP (4-UNIT) 8-P |     |
| 1K " " " (8-UNIT) 8-P    |     |
| 1K " " " (8-UNIT) 8-P    |     |
| 2.2K " " (4-UNIT) 8-P    |     |
| 2.2K " " (8-UNIT) 8-P    |     |
| 4.7K " " " " " "         |     |
| 1K OHM POTENTIOMETER     |     |
| IN9148                   |     |
| 2N3391A                  |     |
| 2N4403                   |     |
| TIP 110                  |     |
| 06XX CUSTOM IC           |     |
| 07XX " " " "             |     |
| 08XX " " " "             |     |
| 51XX " " " "             |     |
| 54XX " " " "             |     |
| 4066 CMOS                |     |
| 74LS32                   |     |
| 74LS9                    |     |
| 74LS107                  |     |
| 74LS128                  |     |
| 74LS138                  |     |
| 74LS139                  |     |
| 74LS139                  |     |
| 74LS151                  |     |
| 74LS157                  |     |
| 74LS158                  |     |
| 74LS174                  |     |
| 74LS259                  |     |

© 1987 NPS, CO. 1981  
ALL RIGHTS RESERVED

GALAGA CPU  
ADB4-91404-B508

TIP SW  
C  
DIP 8X

# CROSS REFERENCE LIST

| QUANTITY | DESIGNATION             | PART #          | DESCRIPTION              | QUANTITY | DESIGNATION                | PART #          |
|----------|-------------------------|-----------------|--------------------------|----------|----------------------------|-----------------|
|          | CX1 *                   | 0508-00800-2000 | 74LS273                  | 1        | IC3B                       | 0508-00803-1600 |
|          | C48, CX2N *             | 0508-00800-0500 | 74LS283                  | 1        | IC1B                       | 0508-00803-1700 |
|          | C43                     | 0508-00800-0800 | 74LS367                  | 6        | IC1E, 1F, 1H, 1J, 1K, 1L   | 0508-00803-4800 |
|          | C2-C17, C19             | 0508-00800-0800 |                          |          | IM, IN                     |                 |
|          | C26-C29                 | 0508-00800-0700 | 74LS368                  | 1        | IC5A                       | 0508-00803-2000 |
|          | C18, C46-C63            | 0508-00800-0900 | 74LS393                  | 1        | IC6A                       | 0508-00803-4900 |
|          | C23, C24                | 0508-00800-1000 | GG-1 PROM (256X4)        | 1        | IC1D                       | 0508-00803-3800 |
|          | C25, C44                | 0508-00800-1100 | GG-2 " "                 | 1        | IC5C                       | 0508-00803-3900 |
|          | C20                     | 0508-00800-1200 | GG-A EPROM 2732          | 1        | IC3N                       | 0508-00803-3200 |
|          | C22                     | 0508-00800-1300 | GG-B " "                 | 1        | IC3M                       | 0508-00803-3300 |
|          | C21                     | 0508-00800-1400 | GG-C " "                 | 1        | IC3L                       | 0508-00803-3400 |
|          | C1                      | 0508-00800-1500 | GG-D " "                 | 1        | IC3K                       | 0508-00803-3500 |
|          |                         |                 | GG-E " "                 | 1        | IC3J                       | 0508-00803-3600 |
|          |                         |                 | GG-G " "                 | 1        | IC3E                       | 0508-00803-3700 |
|          | R5                      | 0062-110B3-1XXX | LMS24                    | 1        | IC5P                       | 0508-00803-5400 |
|          | R1, R2                  | 0062-144B3-1XXX | M83730                   | 1        | IC7C                       | 0066-186XX-XX4X |
|          | R15, R47, R48           | 0062-158B3-1XXX | Z-80 (2.5MHZ)            | 2        | IC4E, 4J                   | 0508-00803-5000 |
|          | R6, R16, R52-R54        | 0062-179B3-1XXX | Z-80A (4.0MHZ)           | 1        | IC4M                       | 0508-00803-5200 |
|          | R56-R63, RX1-XXX        |                 |                          |          |                            |                 |
|          | R17, R39                | 0062-195B3-1XXX | 14-PIN IC SOCKET         | 1        | IC5B                       | 0508-00804-1700 |
|          | R20, R58                | 0062-203B3-1XXX | 16-PIN " "               | 3        | ICS1D, 5A, 5C              | 0508-00804-0700 |
|          | R18, R29, R43, R64, R65 | 0062-211B3-1XXX | 24-PIN " "               | 6        | ICS 3E, 3J, 3K, 3L, 3M, 3N | 0508-00804-0500 |
|          | R7, R8, R10, R19, R30   | 0062-227B3-1XXX | 28-PIN " "               | 6        | ICS2E, 2H, 2J, 2L, 4D, 6M  | 0508-00804-0400 |
|          | R34, R37, R44, R51      |                 | 40-PIN " "               | 3        | ICS 4E, 4J, 4M             | 0508-00804-1800 |
|          | R11, R31, R41, R45      | 0062-243B3-1XXX | 42-PIN " "               | 1        | ICS 4H                     | 0508-00804-1900 |
|          | R36                     | 0062-251B3-1XXX | 16.432 MHZ CRYSTAL       | 1        | XTAL 1                     | 0508-00804-1400 |
|          | R12, R32, R33, R46      | 0062-259B3-1XXX | P.B SWITCH AKC-8         | 1        | SW1                        | 0508-00804-1600 |
|          | R13                     | 0062-275B3-1XXX | 8-POS DIP SWITCH         | 2        | 6J, 6K                     | 0508-00804-1600 |
|          | R35, R42                | 0062-283B3-1XXX | CONN.-R.A. HEADER 50-PIN | 1        | J1                         | 0508-00804-0800 |
|          | R40                     | 0062-307B3-1XXX | CONN. PCB HEADER 2-PIN   | 1        | J2                         | 0017-00021-0443 |
|          |                         |                 |                          |          |                            |                 |
|          | RM16                    | 0508-00804-1100 | MOUNTING HARDWARE IC7C   |          | MHC17C                     |                 |
|          | RM1-RM3, RM5, RM9       | 0508-00804-0100 | -4-40 HEX NUT            | 2        | -                          | 0017-00103-0002 |
|          | RM4, RM6, RM7           | 0508-00804-0200 | -4-40 X 8 PAN M 3        | 2        | -                          | 0017-00101-0510 |
|          | RM10-RM13               | 0508-00804-1200 | -WASHER #4 FLT. ST.      | 2        | -                          | 0017-00104-0015 |
|          | RM17-RM20               | 0508-00804-0300 | -WASHER #4 EXT. ST.      | 2        | -                          | 0017-00104-0071 |
|          | RM21, RM22              | 0508-00804-1000 |                          |          |                            |                 |
|          | VRI                     | 0508-00804-1300 | GALAGA CPU PCB           | 1        | A080-91404-C508            | A080-91404-8508 |
|          | DI                      | 0508-00801-0100 |                          |          |                            |                 |
|          | Q1                      | 0508-00802-0200 |                          |          |                            |                 |
|          | Q2                      | 0508-00802-0100 |                          |          |                            |                 |
|          | Q5                      | 0508-00802-0300 |                          |          |                            |                 |
|          | IC2L                    | 0066-005CX-XAPX |                          |          |                            |                 |
|          | IC4D                    | 0066-006CX-XAPX |                          |          |                            |                 |
|          | IC2E, 2H, 2J            | 0066-007CX-XAPX |                          |          |                            |                 |
|          | IC4H                    | 0066-008CX-XAPX |                          |          |                            |                 |
|          | IC6M                    | 0066-009CX-XAPX |                          |          |                            |                 |
|          | IC3A                    | 0508-00803-5300 |                          |          |                            |                 |
|          | IC3P, 4C                | 0508-00803-0700 |                          |          |                            |                 |
|          | IC2A, 2B                | 0508-00803-4100 |                          |          |                            |                 |
|          | IC1A, 5B                | 0508-00803-4200 |                          |          |                            |                 |
|          | IC6B                    | 0508-00803-4300 |                          |          |                            |                 |
|          | IC1P, 2P                | 0508-00803-0900 |                          |          |                            |                 |
|          | IC 3, 6C                | 0508-00803-4400 |                          |          |                            |                 |
|          | IC4, 3                  | 0508-00803-5100 |                          |          |                            |                 |
|          | IC4K, 5K                | 0508-00803-4500 |                          |          |                            |                 |
|          | IC2C                    | 0508-00803-1100 |                          |          |                            |                 |
|          | IC2D                    | 0508-00803-4600 |                          |          |                            |                 |
|          | IC1C                    | 0508-00803-4700 |                          |          |                            |                 |
|          | IC3C                    | 0508-00803-1500 |                          |          |                            |                 |

ASSEMBLY M051-00808-C005

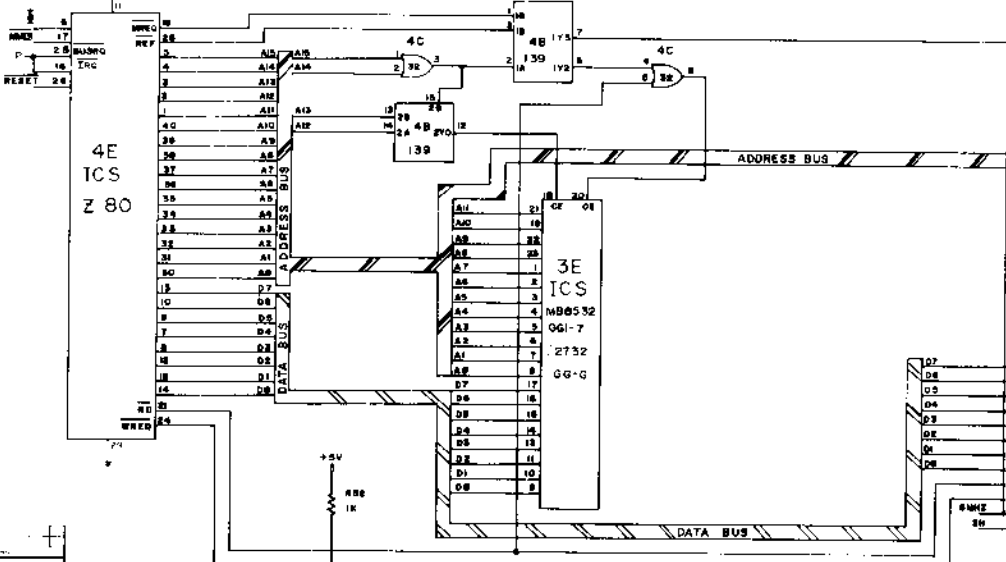
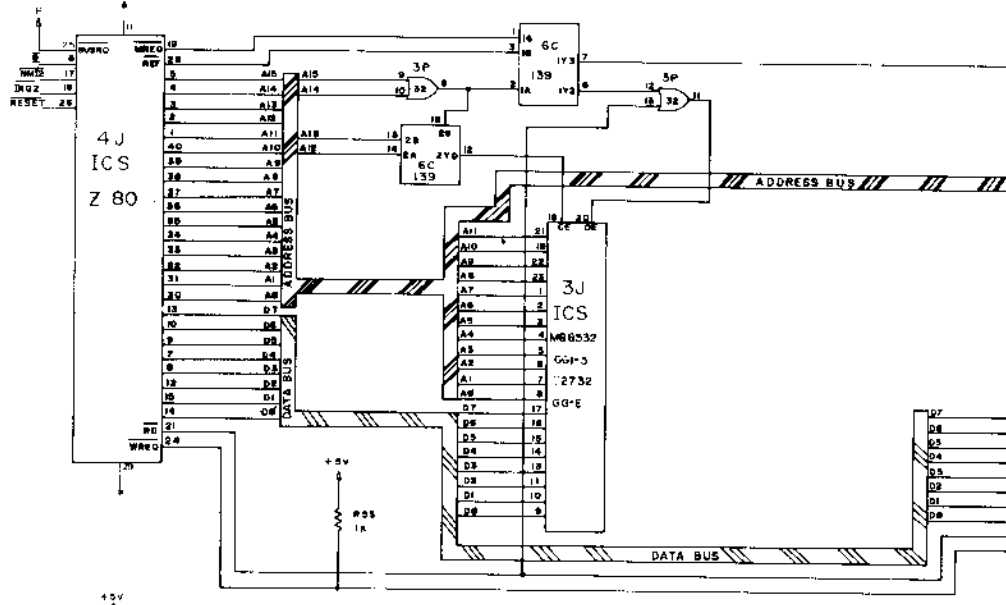
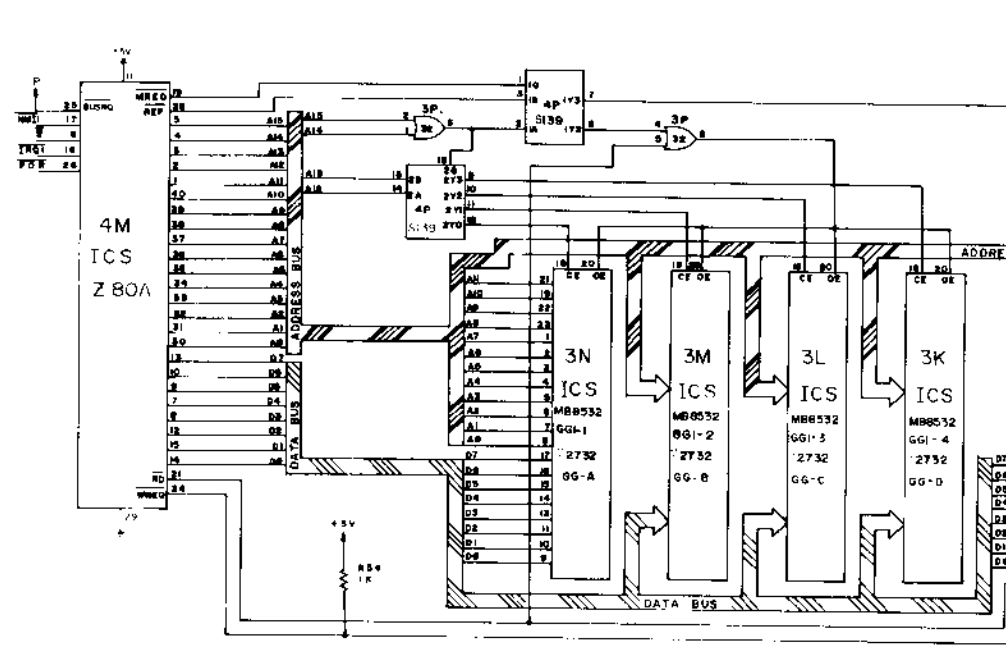
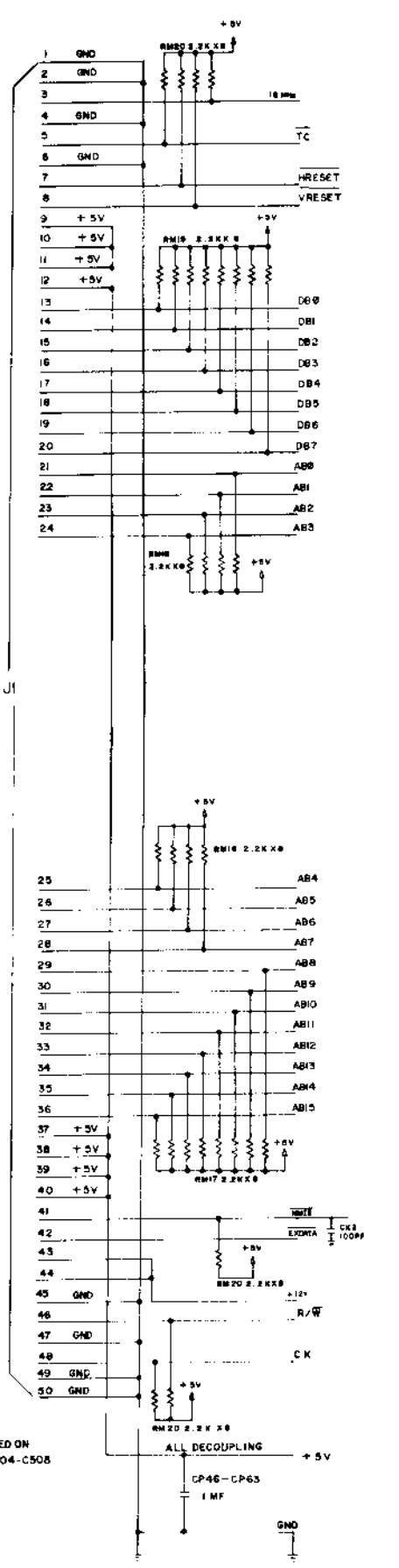
|  |           |
|--|-----------|
|  | REVISIONS |
|--|-----------|

PROJECT ENG: JERRY SZERSZEN

USED ON GALAGA

**MIDWAY MFG. CO.**

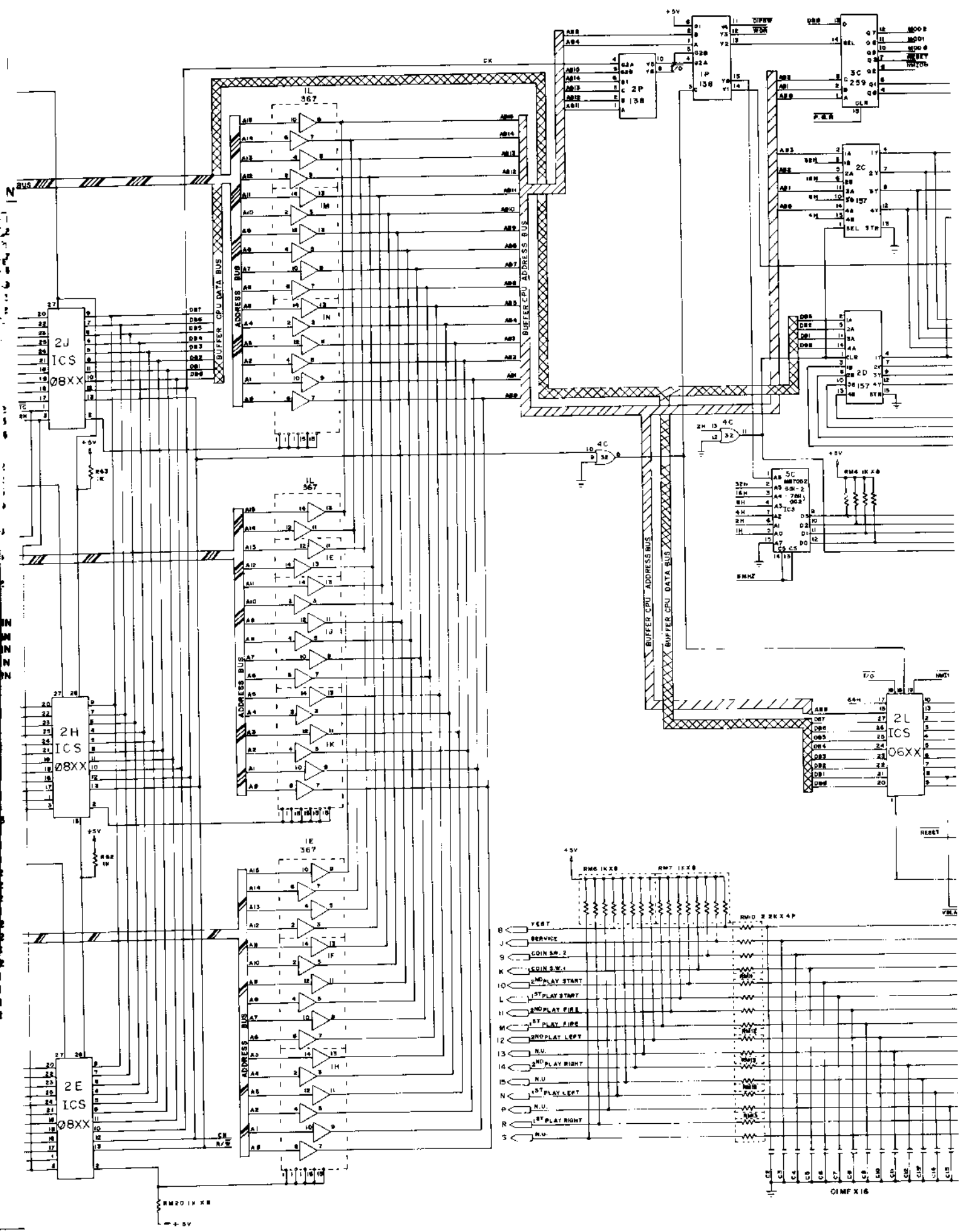
|  |                 |                 |                  |                   |
|--|-----------------|-----------------|------------------|-------------------|
| DO NOT SCALE DWG                                     | HEAT TREAT      | SCALE           | NO REQ. I.P.E.R. | FRANKLIN PK. ILL. |
| DIM. TOLERANCES UNLESS SPECIFIED                     | DRN <i>M.M.</i> | FULL            |                  | PART NO.          |
| 1/16" FRACTIONAL<br>1/32" DECIMAL<br>1/64" HOLE DIA. | CWD             |                 |                  | A084-91404-C508   |
|  | FINISH          | GALAGA CPU P.C. |                  |                   |
|  | UNIT 10-1-81    |                 |                  |                   |



NOTE:  
 PARTS USED ON  
 A084-91404-C508  
 P.C.B.S.

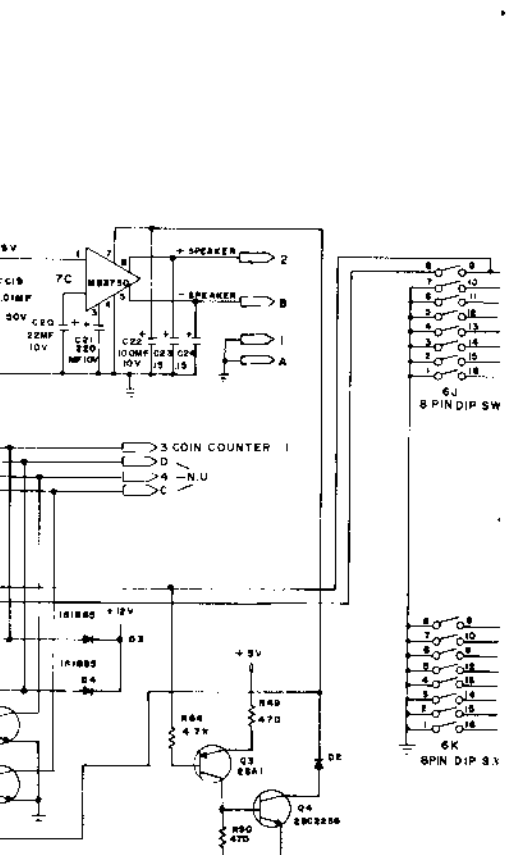
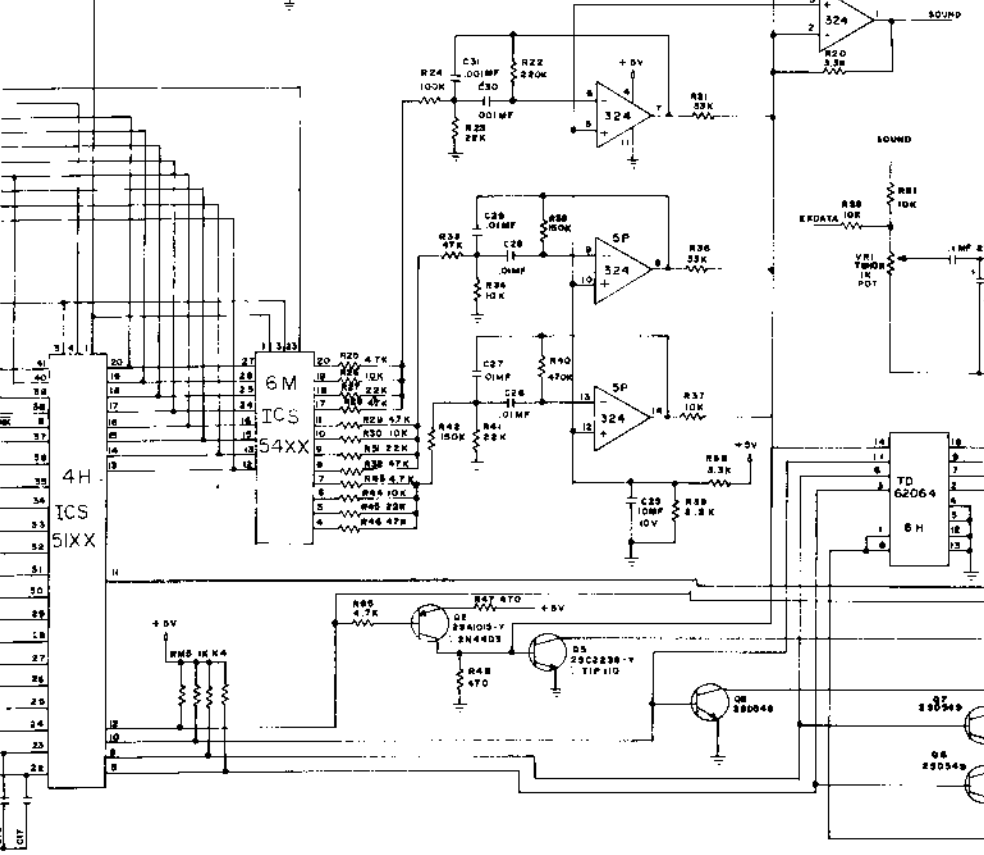
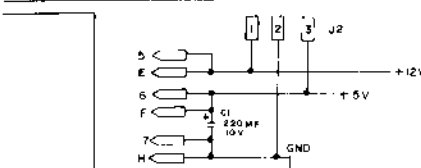
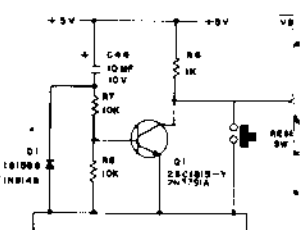
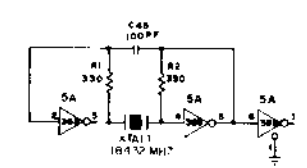
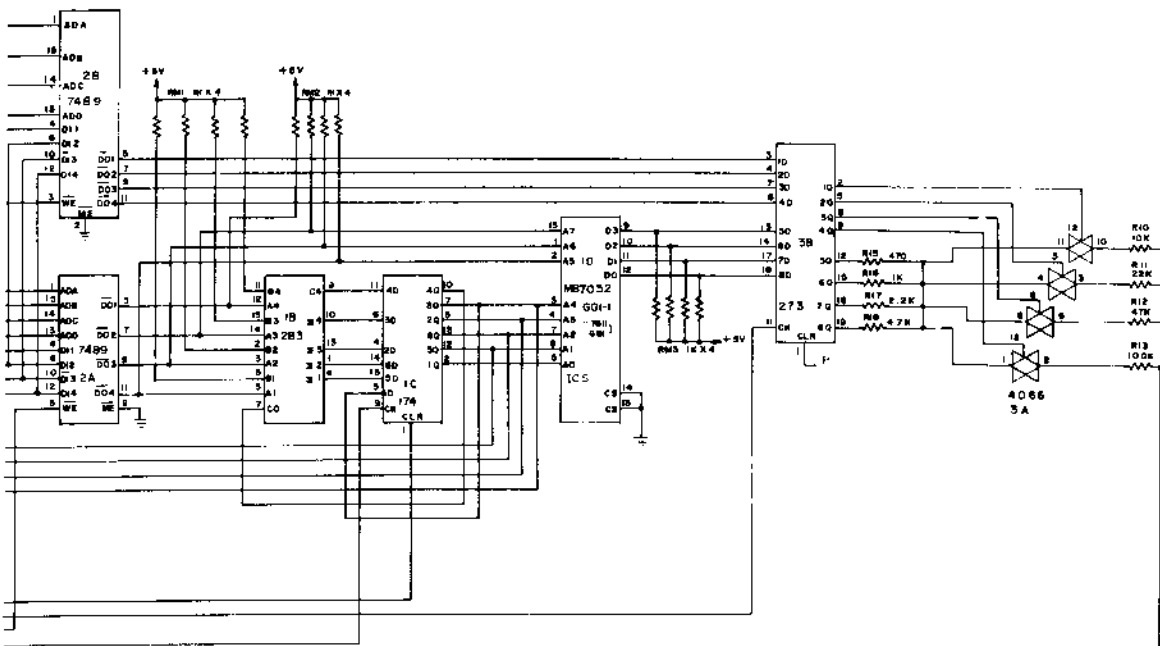
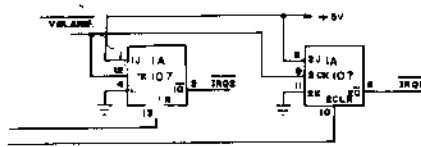
ALL DECOUPLING  
 CP46-CP63  
 1MF

PROJECT ENG: JERRY BIERZEN  
 SCHEMATIC NOS: 00802-0008  
 GALAGA  
 MIDWAY MFG. CO.  
 FULL IPER  
 GALAGA CPU PC. A084 91404 C508

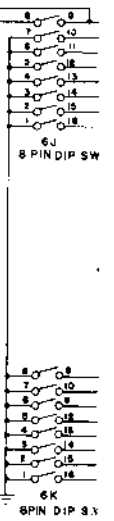


- Legend for control signals:
- B TEST
  - 8 SERVICE
  - 9 COIN SW. 2
  - K COIN SW. 1
  - 10 2ND PLAY START
  - L 1ST PLAY START
  - 11 2ND PLAY FINE
  - M 1ST PLAY FINE
  - 12 2ND PLAY LEFT
  - 13 N.U.
  - 14 2ND PLAY RIGHT
  - 15 N.U.
  - N 1ST PLAY LEFT
  - P N.U.
  - R 1ST PLAY RIGHT
  - S N.U.

01MP X 16



NOTE  
PARTS  
A084-Y  
P C B3



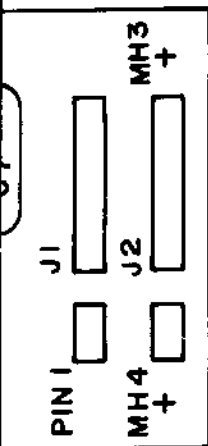
DATE  
NO  
REV





### CROSS REFERENCE LIST

| <u>DESCRIPTION</u>                      | <u>QUANTITY</u> | <u>DESIGNATION</u> | <u>PART #</u>   |
|---|-----------------|--------------------|-----------------|
| .01MF 25VAX CER                         | 5               | C3-C7              | 0508-00800-0800 |
| .1MF 100V 10% MYLAR                     | 2               | C1, C2             | 0508-00800-2300 |
| 68 OHM 1/4w 5% CRBN RES.                | 2               | R6, R8             | 0062-098B3-1XXX |
| 1K " " " " "                            | 2               | R5, R7             | 0062-179B3-1XXX |
| 1MEG " " " " "                          | 4               | R1-R4              | 0062-323B3-1XXX |
| LM556                                   | 1               | U1                 | 0508-00803-5500 |
| 7400                                    | 1               | U2                 | 0508-00803-5600 |
| KK.156 CON. (2-PIN)                     | 2               | J1, J2             | 3000-16335-0200 |
| (6-PIN)                                 | 2               | J1, J2             | 3000-16335-0600 |
| MOUNTING HARDWARD<br>SNAP BUSHING 1/4 " | 4               | MH1-MH4            | 0017-00042-0014 |
| RAPID FIRE P.C                          | 1               | A080-91410-A000    | A080-91410-A000 |



**ASSY M051-00114-A001**

THIS DWG. IS CONFIDENTIAL & PROPERTY OF MIDWAY MFG CO

|          |      |
|----------|------|
| AGA      |      |
| 09-30-81 | FULL |

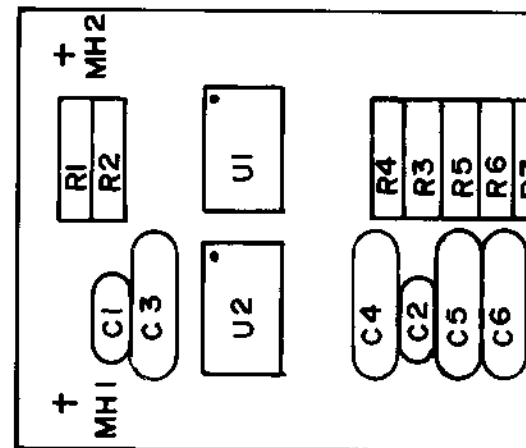
**MIDWAY MFG. CO.**  
FRANKLIN PK., ILL. 60131 A BALLY CO

**RAPID FIRE P.C.**

|           |                 |
|-----------|-----------------|
| REVISIONS |                 |
| PART NO   | A082-91410-A000 |

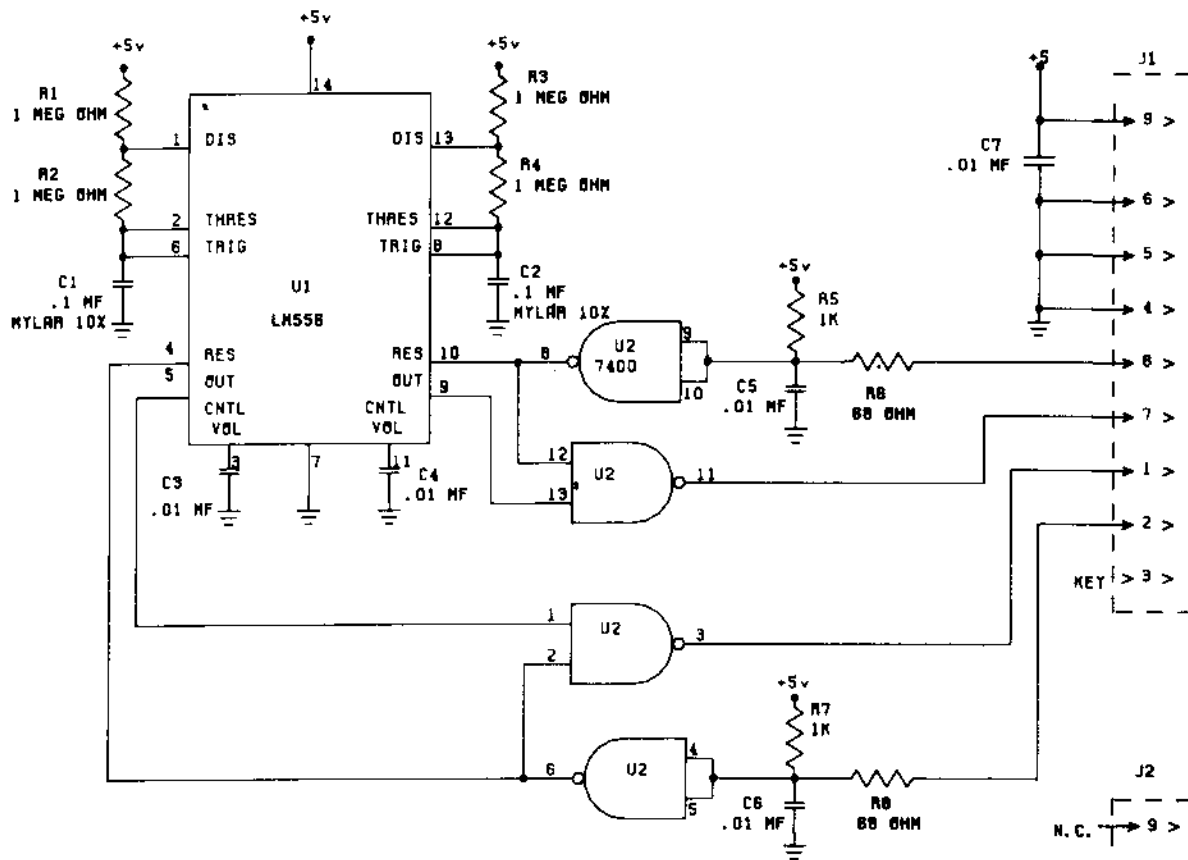
## DESIGNATION LIST

| <u>DESIGNATION</u> | <u>DESCRIPTION</u>            |
|--------------------|-------------------------------|
| C1, C2             | .1MF 100V MYLAR               |
| C3-C7              | .01MF 25V AX CER              |
| R1-R4              | 1MEG OHM 1/4w 5% CRBN RES     |
| R5                 | 1K " " " " "                  |
| R6                 | 68 " " " " "                  |
| R7                 | 1K " " " " "                  |
| R8                 | 68 " " " " "                  |
| U1                 | LM556                         |
| U2                 | 7400                          |
| J1, J2             | KK.156 VERT 2(6-PIN) 2(2-PIN) |
| MH1-MH4            | SNAP BUSHING 1/4"             |

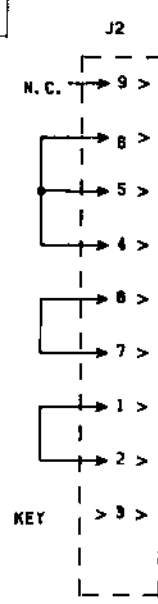


**PROJECT ENG: JERRY SZERS**

|   |   |
|---|---|
| <p><b>DIM. TOLERANCES</b><br/>         UNLESS OTHERWISE SPEC<br/>         CONCENTRICITY T.I.R. .002<br/>         FRACTIONAL ± 1/64<br/>         DECIMAL ± .005<br/>         HOLE DIA + .002-- .000<br/>         ANGLE ± 1/2°<br/> <b>DO NOT SCALE DWG</b></p> | <p>DATE: 11/1/64<br/>         DRAWN: <i>MM</i><br/>         CHECKED: <i>MM</i><br/>         APPROVED: <i>MM</i></p> |
|---|---|



NOTE: USE J1 FOR RAPID FIRE OPTION

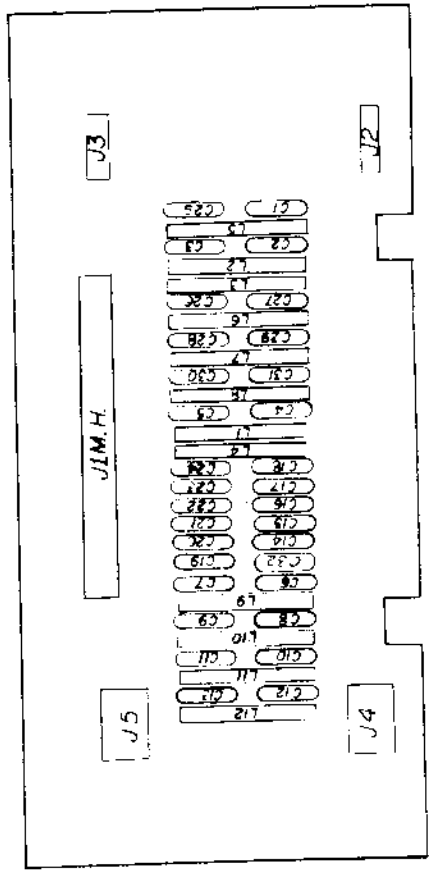


NOTE: USE J2 TO BYPASS RAPID FIRE OPTION

M051-00114-A002

|            |                   |                 |                   |
|------------|-------------------|-----------------|-------------------|
| CKD.       | DO NOT SCALE DIM. |                 | REVISIONS         |
| DRN. TJK   | DATE 9/30/81      | USED ON GALAGR  | MIDWAY MFG. CO.   |
| heat treat | scale FULL        | NO. REQ'D 1 PER | FRANKLIN PK. ILL. |
| mat'l.     | RAPID FIRE P.C.   |                 | PART NO.          |
| finish     |                   |                 | A002-01410-A000   |

KEY 1 BETWEEN CONTACTS 5,E AND 6,F  
KEY 2 BETWEEN CONTACTS 3,C AND 4,D



- DESCRIPTION
- .1MF AXGER
  - 47 PF AXGER
  - 470 PF AXGER
  - 100 PF AXGER
  - .01 MF AXGER
  - CHOKE 10 J1H W.W. MILLER
  - CHOKE 10 J1H W.W.
  - CHOKE ENCAP 1C J1H
  - P.C. EDGE CONN.
  - 3 PIN HEADER
  - 6 PIN HEADER
  - 2 EDGE CONN. KEY
  - (2) 6-32 x 10 SLOT PAN SCREW
  - (2) WSH 6 145-250-032
  - (1) BRKT.-CONN. FIN.

- DESIGNATION
- C1
  - C2-C5
  - C6, C7
  - C8-C13
  - C14-C32
  - L1-L4
  - L5-L8
  - L9-L12
  - J1
  - J2, J3
  - J4, J5
  - J1 M.H.

| DESCRIPTION                  | QUANTITY | DESIGNATION | PHANTOM NUMBER  |
|------------------------------|----------|-------------|-----------------|
| 3 PIN HEADER<br>AMP 350428-1 | 2        | J2-J3       | 0017-00021-0443 |
| 6 PIN HEADER<br>AMP 350431-1 | 2        | J4-J5       | 0017-0021-0424  |
| PC EDGE CON KEY              | 2        | J1MH        | 0017-00021-0396 |
| 6-32 X 10 SLOT<br>PAN SCREW  | 2        | J1MH        | 0017-00101-0574 |
| WSH 6<br>145-250-032         | 2        | J1MH        | 0017-00104-0002 |
| BRKT.-<br>CONN. FIN          | 1        | J1MH        | 0866-0018-00XF  |

| DESCRIPTION                    | QUANTITY | DESIGNATION | PHANTOM NUMBER  |
|--------------------------------|----------|-------------|-----------------|
| 47PF 50V AXGER                 | 4        | C2-C5       | 0508-00800-1800 |
| 100PF 50V AXGER                | 6        | C8-C13      | 0508-00800-1800 |
| 470PF 50V AXGER                | 2        | C6, C7      | 0508-00800-1700 |
| .01MF 25V AXGER                | 19       | C14-C32     | 0508-00800-1800 |
| .1MF 50V AXGER                 | 1        | C1          | 0508-00800-0900 |
| 10 J1H W.W. RF<br>CHOKE MILLER | 4        | L1-L4       | 0087-021XX-XXAX |
| 10 J1H W.W. W. PF<br>CHOKE     | 4        | L5-L8       | 0508-00804-2000 |
| 10 J1H ENCAP<br>PF CHOKE       | 4        | L9-L12      | 0508-00804-2100 |
| PC EDGE CONN.                  | 1        | J1          | 0017-00021-0418 |

PROJECT ENGINEER L. DEKKER

ASSY. DWG M051-00508-B014  
THIS DWG IS CONFIDENTIAL & PROPERTY OF MIDWAY MFG. CO.

**MIDWAY MFG. CO.**  
FRANKLIN P.I. 00131 2 BULLY CO

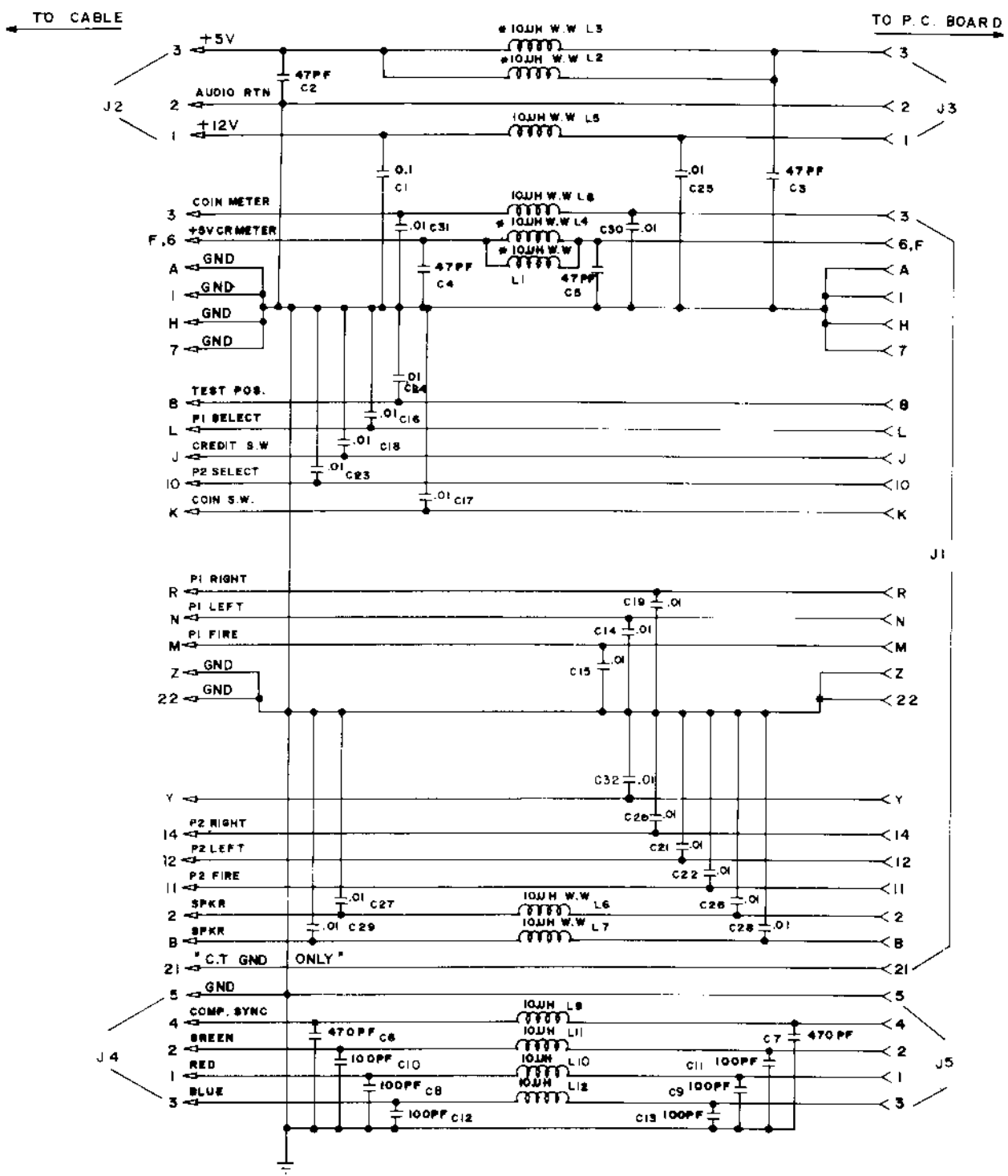
GALAGA FILTER PC

REVISING

DATE: 10-12-61

SCALE: FULL

DO NOT SCALE DIMS



NOTE:  
 ALL .1 + .01 ARE MF  
 ALL CAPS AX. CER. UNLESS  
 NOTED OTHERWISE  
 \* 1.5 AMP (MILLER TYPE)  
 INDUCTORS

PROJECT ENG. L. DEKOR  
 GALAGA  
 7777  
 10-2-81  
 FULL

REV. NO. 1  
 REVISIONS  
 PART NO. A084-91408-850B

SCHEM: MOBI-00806-5019  
 THIS DRAWING IS CONFIDENTIAL PROPERTY OF MIDWAY MFG. CO.

MIDWAY MFG. CO.  
 7777  
 10-2-81  
 FULL

GALAGA FILTER BOARD

DO NOT SCALE DRAWING