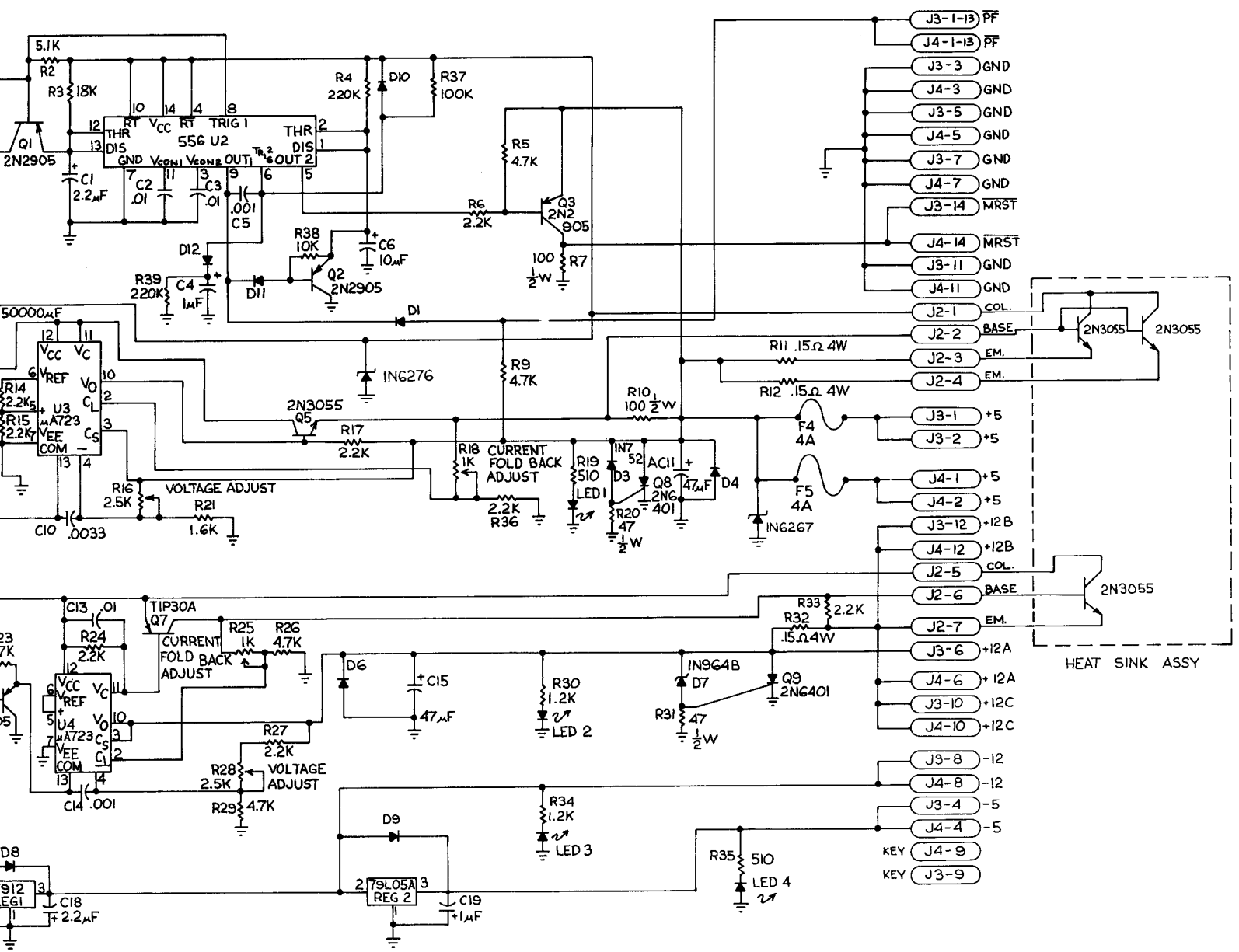


SUPPLY SCHEMATIC

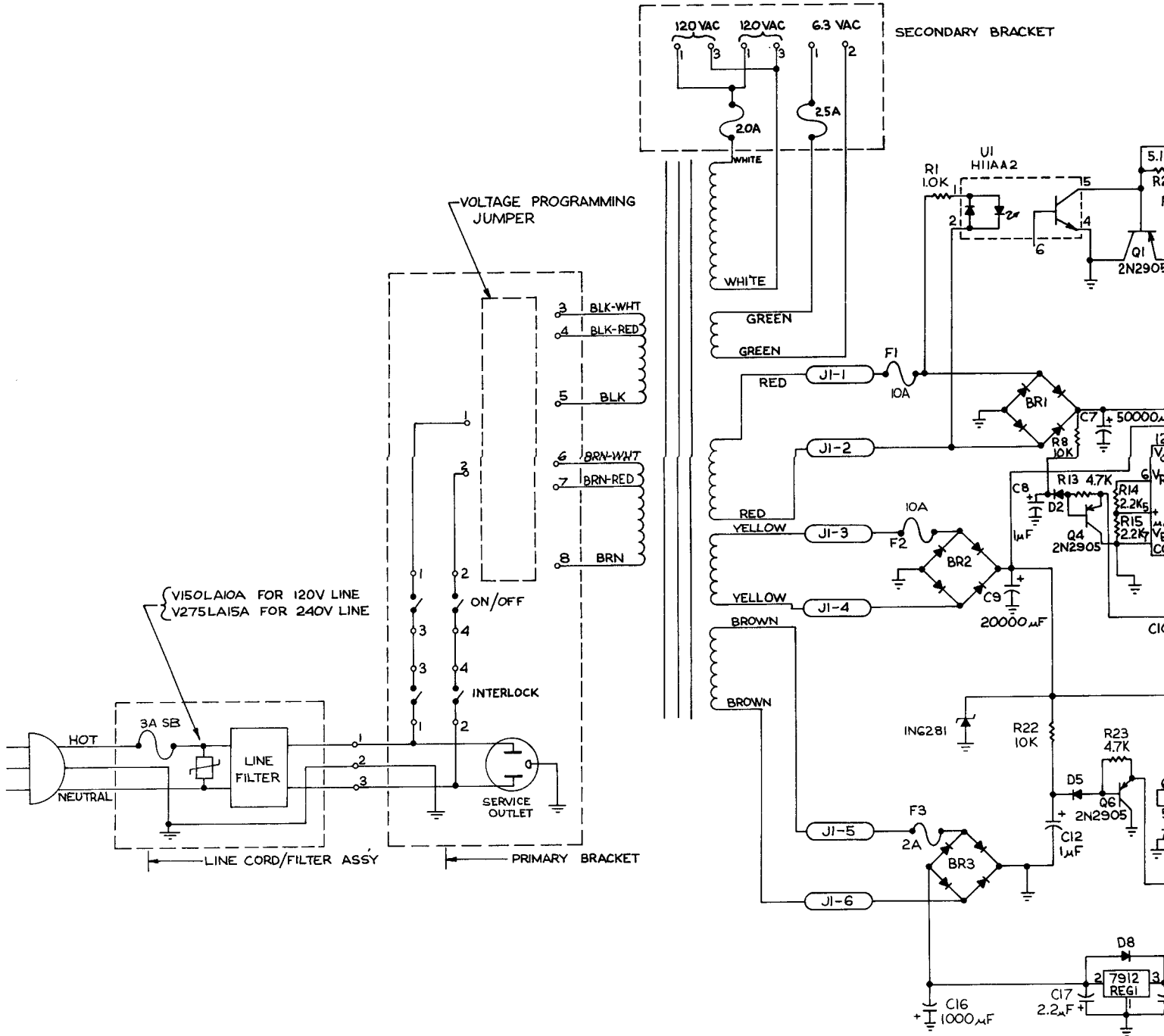
FIGURE 12

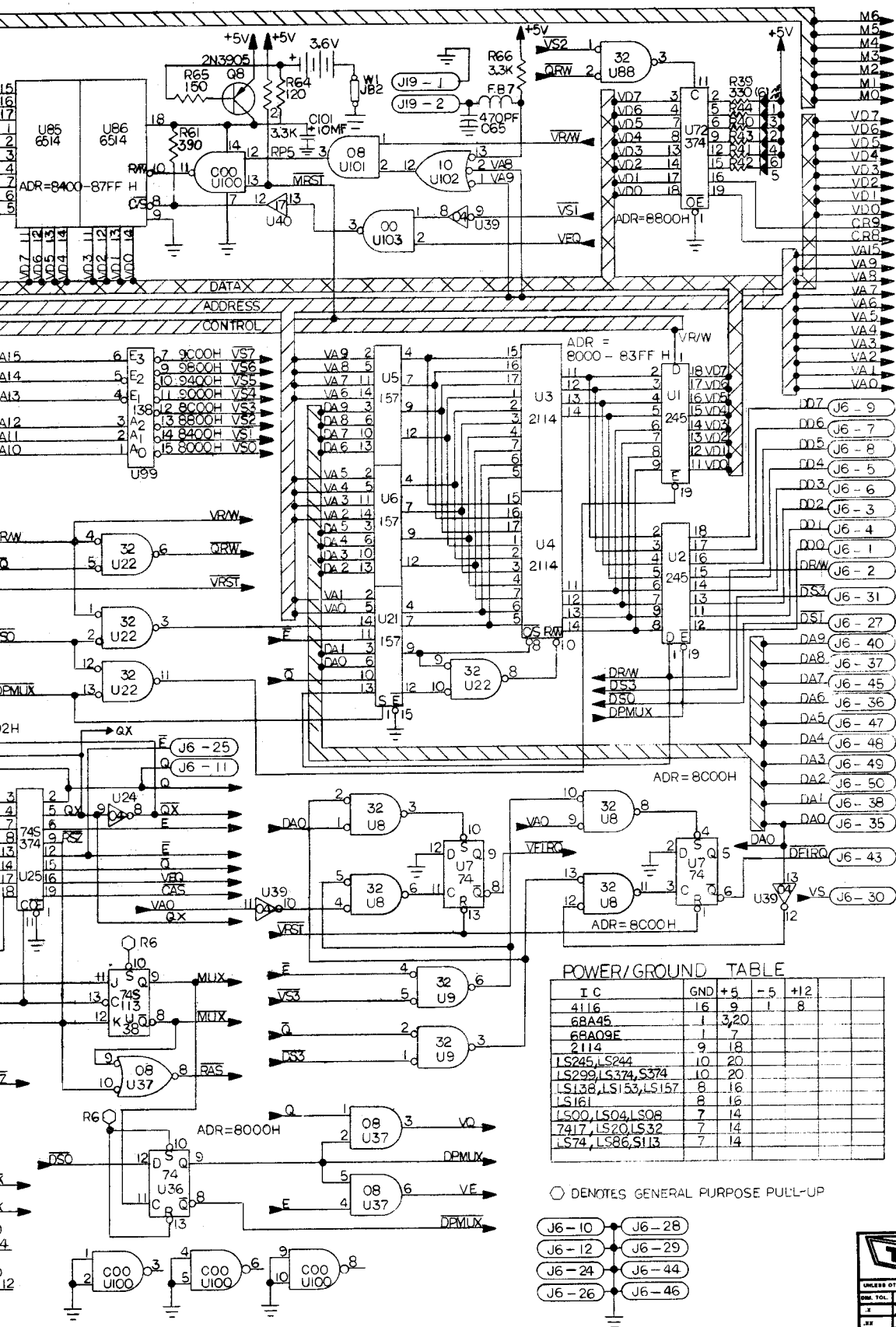
NOTICE TO ALL PERSONS RECEIVING THIS DRAWING
CONFIDENTIAL: Reproduction forbidden without the specific written permission of Taito America Corp., Elk Grove Village, IL. This drawing is only conditionally issued, and neither receipt nor possession thereof confers or transfers any right in, or license to use, the subject matter of the drawing or any design or technical information shown therein, nor any right to reproduce this drawing or any part thereof. Except for manufacture by vendors of Taito America Corp. and for manufacture under the corporation's written license, no right to reproduce this drawing is granted or the subject matter thereof unless by written agreement with or written permission from the corporation.

REVISIONS



TAITO		TAITO AMERICA CORPORATION	
		1256 Estes Avenue, Elk Grove Village, IL 60007	
		Telephone (312) 861-1000 Telex 25-3290	
UNLESS OTHERWISE SPECIFIED		DATE	SCALE
DRW. TOL.	MATERIAL	DATE	
BY	DESCRIPTION	DATE	
CHK			
POWER SUPPLY ASSEMBLY			
DATE	USED ON	SIZE	DRAWING NUMBER
FRAC			





NOTICE TO ALL PERSONS RECEIVING THIS DRAWING
 CONFIDENTIAL : Reproduction forbidden without the specific written permission of Taito America Corp., Elk Grove Village, IL. This drawing is only conditionally issued, and neither receipt nor possession thereof confers or transfers any right in, or license to use, the subject matter of the drawing or any design or technical information shown therein, nor any right to reproduce this drawing or any part thereof. Except for manufacture by vendors of Taito America Corp., and for manufacture under the corporation's written license, no right to reproduce this drawing is granted or the subject matter thereof unless by written agreement with or written permission from the corporation.

REVISIONS

TAITO AMERICA CORPORATION
 1268 Estes Avenue, Elk Grove Village, IL 60007
 Telephone (312) 981-1000 Telex 28-3290

UNLESS OTHERWISE SPECIFIED: inches
 DIM. TOL. inches mm
 FIN. mm
 SURF. finish
 MOUNT. method
 MOUNTED TO: PCB
 BY: 107 SECT
 USED ON: D 32-00001 SHEET 1 of 2

DRAWN BY: D. HUGHES DATE: 2/7/81 SCALE: 1:1
 APPROVED BY: DATE: _____
VIDEO PROCESSOR

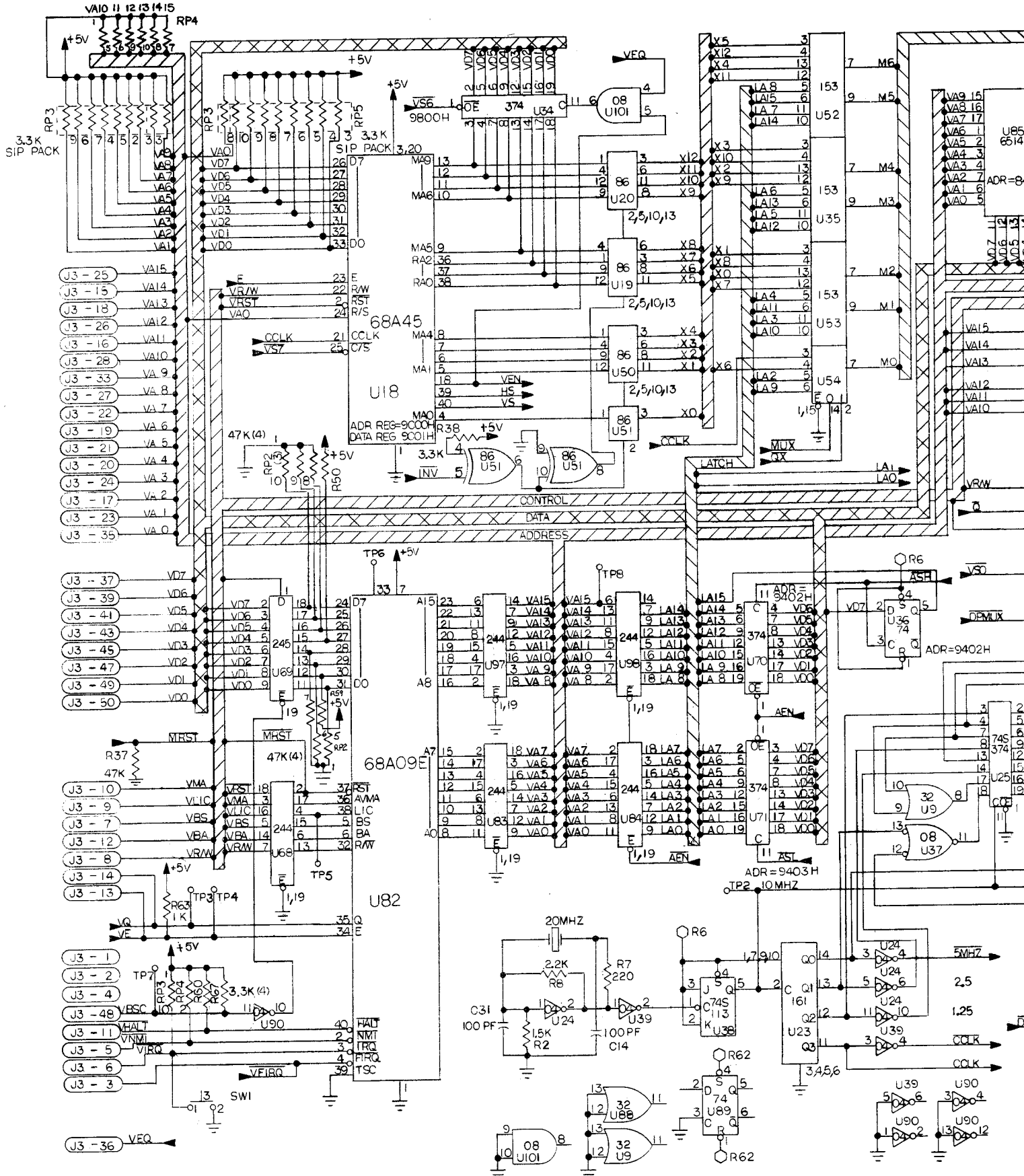
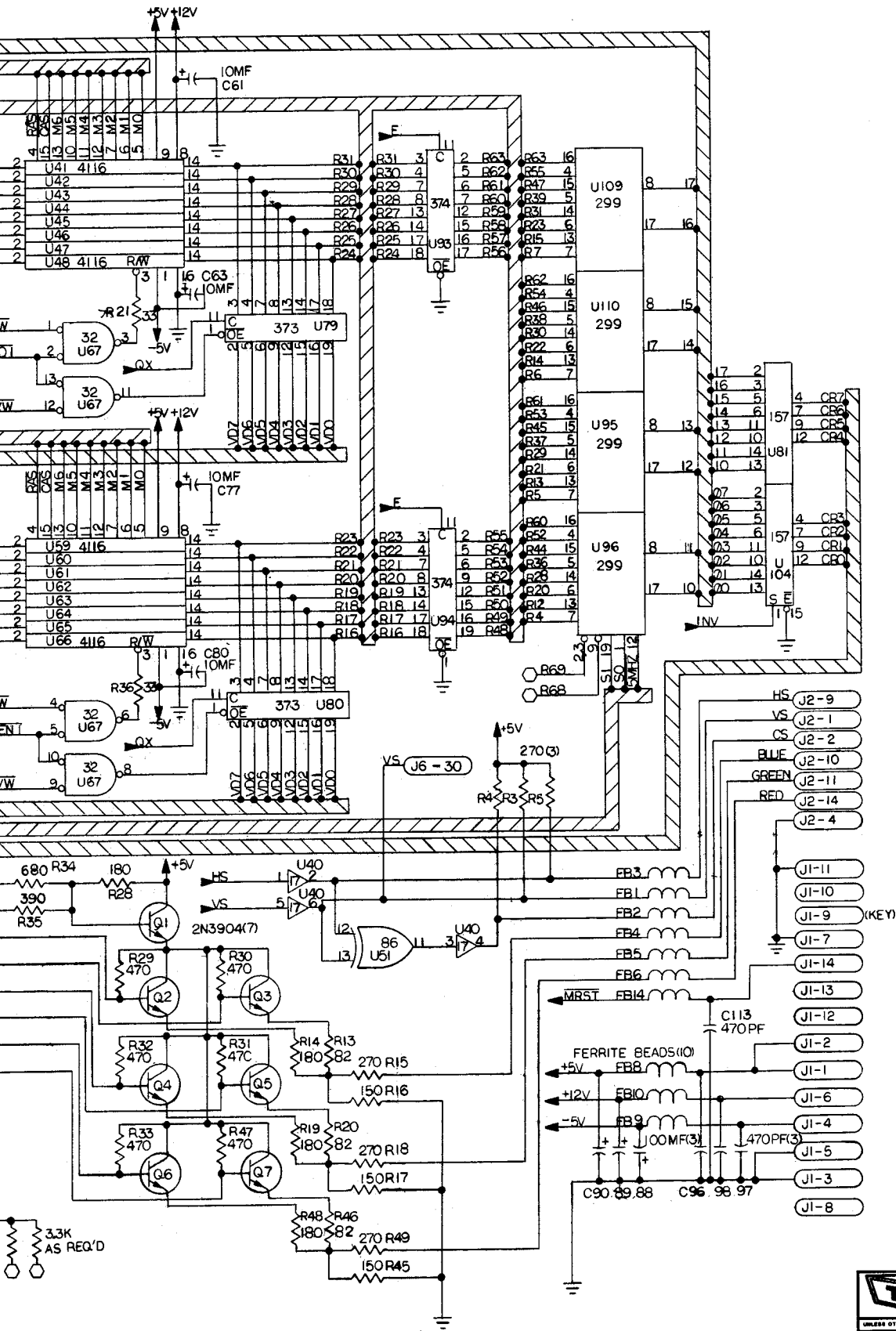


FIGURE 14

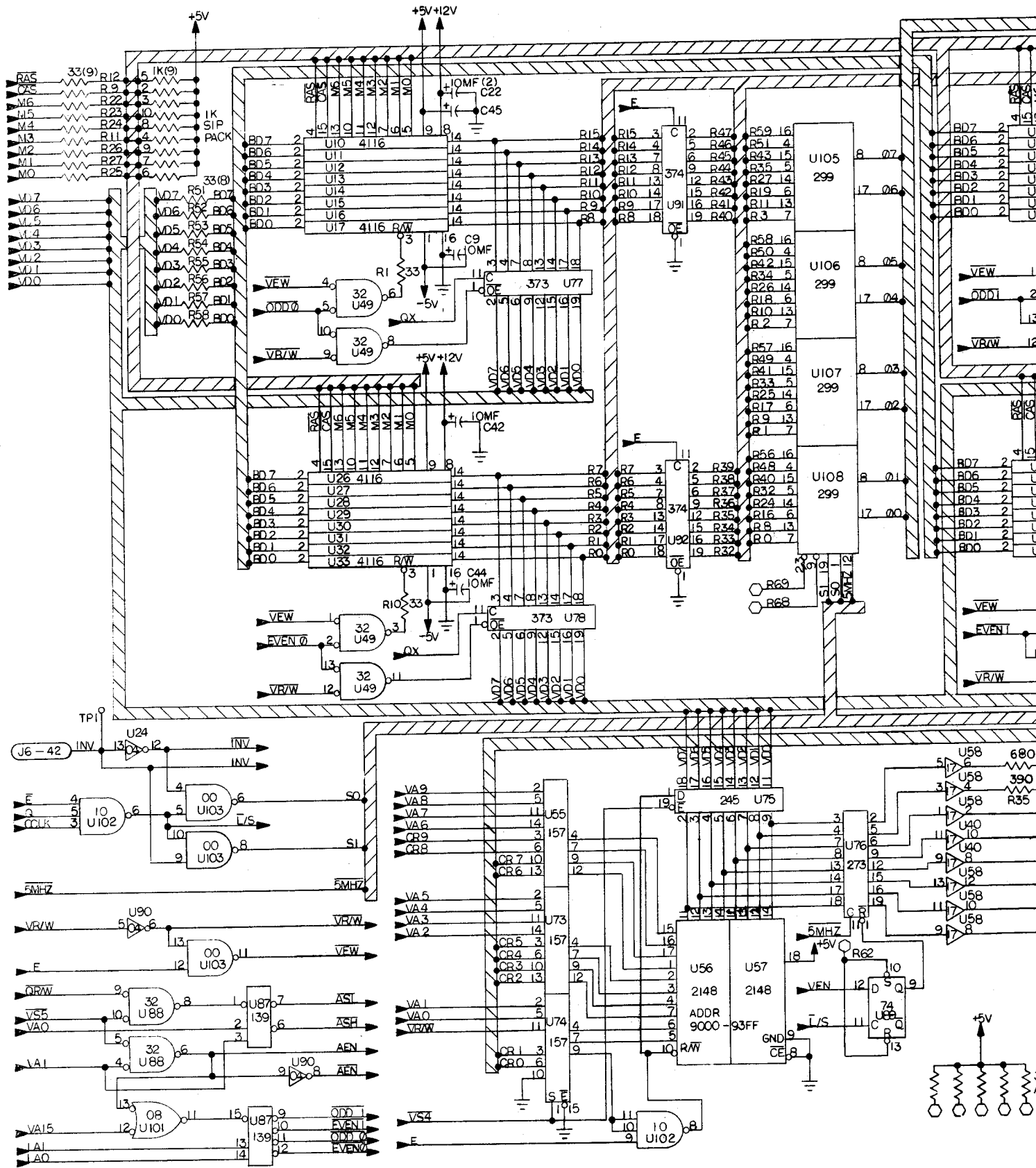


NOTICE TO ALL PERSONS RECEIVING THIS DRAWING
CONFIDENTIAL : Reproduction forbidden without the specific written permission of Taito America Corp., Elk Grove Village, IL. This drawing is only conditionally issued, and neither receipt nor possession thereof confers or transfers any right in, or license to use, the subject matter of the drawing or any design or technical information shown therein, nor any right to reproduce this drawing or any part thereof. Except for manufacture by vendors of Taito America Corp., and for manufacture under the corporation's written license, no right to reproduce this drawing is granted or the subject matter thereof unless by written agreement with or written permission from the corporation.

REVISIONS

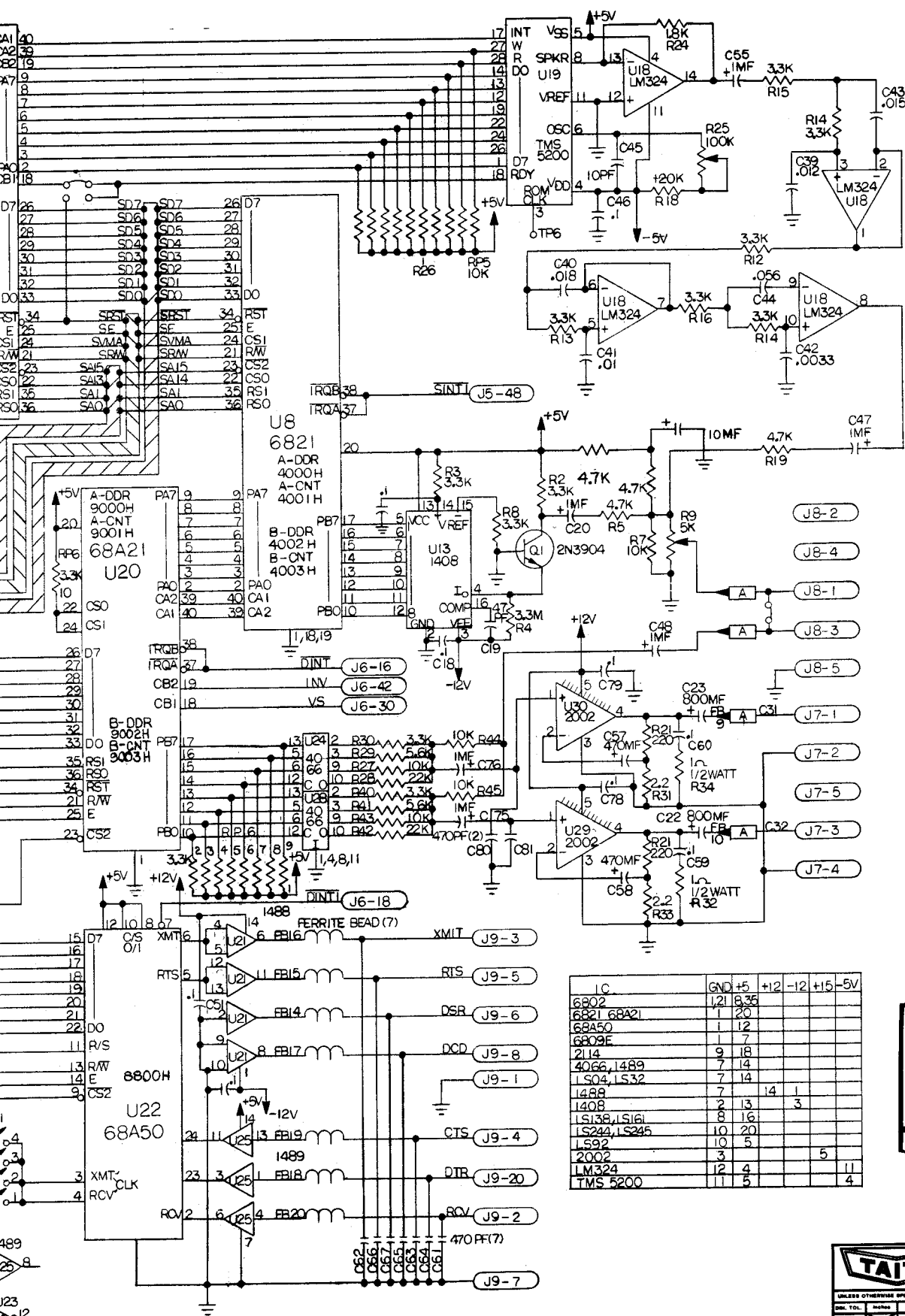
TAITO AMERICA CORPORATION
 1266 Estes Avenue, Elk Grove Village, IL 60007
 Telephone (312) 961-1000 Telex 26-3280

UNLESS OTHERWISE SPECIFIED		INCHES	DATE	SCALE
DRG. VOL.	INCHES	BY	APPROVED BY	DATE
DESCRIPTION:				
VIDEO PROCESSOR				
NO.	REV.	USED ON	DATE	BY
Dwg. No.		32-00001	Sheet 2 of 2	



PROCESSOR SCHEMATIC

FIGURE 15



IC	GND	+5	+12	-12	+15	-5V
6802	12	18	35			
6821 68A21	1	20				
68A50	1	12				
6809E	1	7				
2114	9	18				
4066, 1489	7	14				
1S04, 1S32	7	14				
1488	7	14	14	1		
1408	2	13		3		
1S138, 1S161	8	16				
1S244, 1S245	10	20				
1S92	10	5				
2002	3				5	
LM324	12	4				11
TMS 5200	11	5				4

NOTICE TO ALL PERSONS RECEIVING THIS DRAWING
CONFIDENTIAL : Reproduction forbidden without the specific written permission of Taito America Corp., Elk Grove Village, IL. This drawing is only conditionally issued, and neither receipt nor possession thereof confers or transfers any right in, or license to use, the subject matter of the drawing or any design or technical information shown therein, nor any right to reproduce this drawing or any part thereof. Except for manufacture by vendors of Taito America Corp., and for manufacture under the corporation's written license, no right to reproduce this drawing is granted or the subject matter thereof unless by written agreement with or written permission from the corporation.

REVISIONS

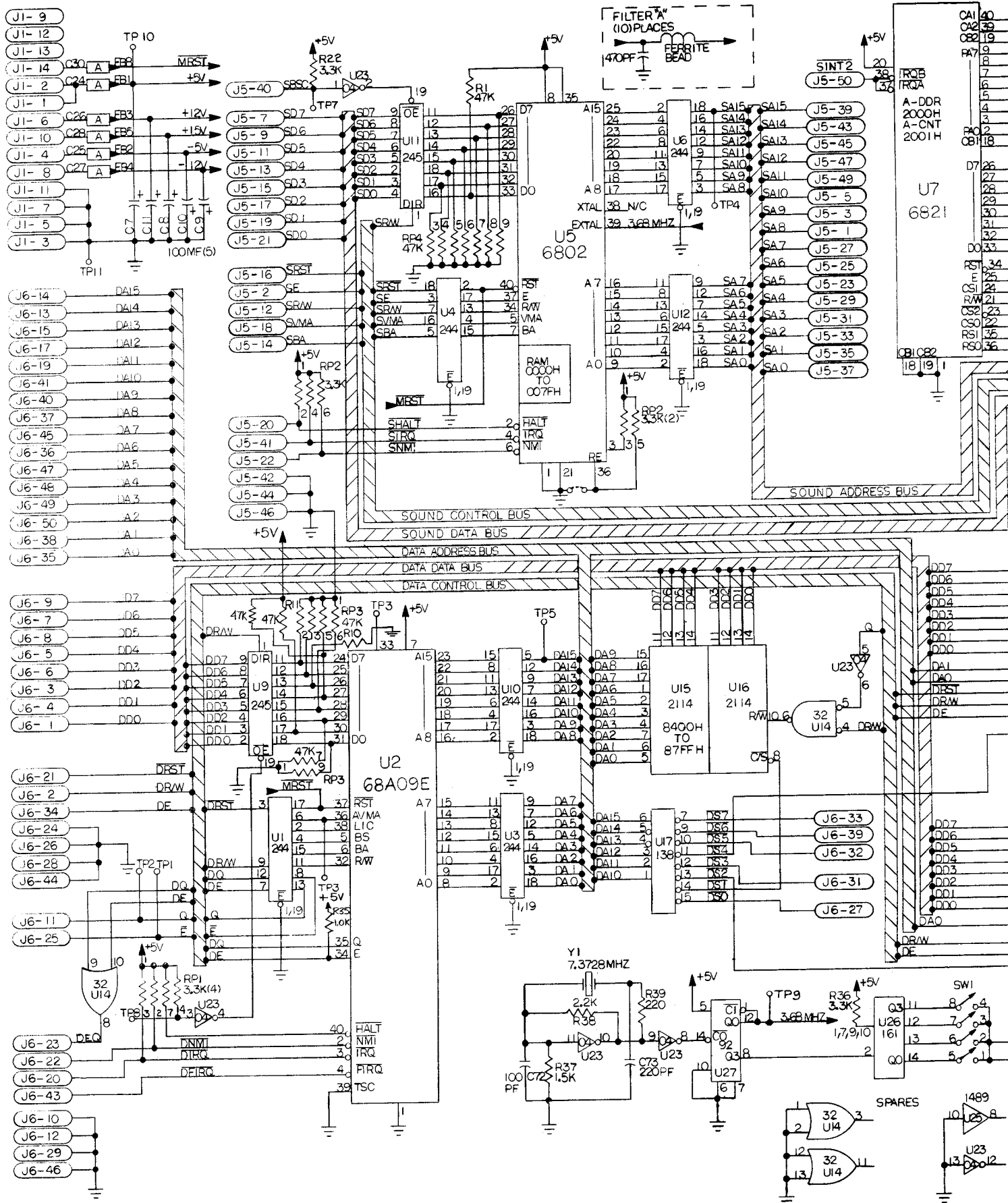
TAITO TAITO AMERICA CORPORATION
 1258 Estes Avenue, Elk Grove Village, IL 60007
 Telephone (312) 981-1000 Telex 25-3280

UNLESS OTHERWISE SPECIFIED: INCHES MILLIMETERS

DATE: 5/81
 DRAWN BY: D. HUGHES
 APPROVED BY: RH

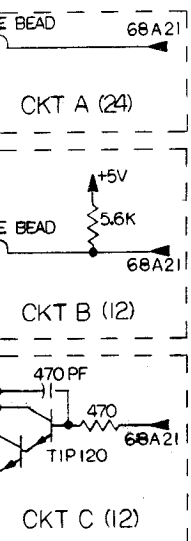
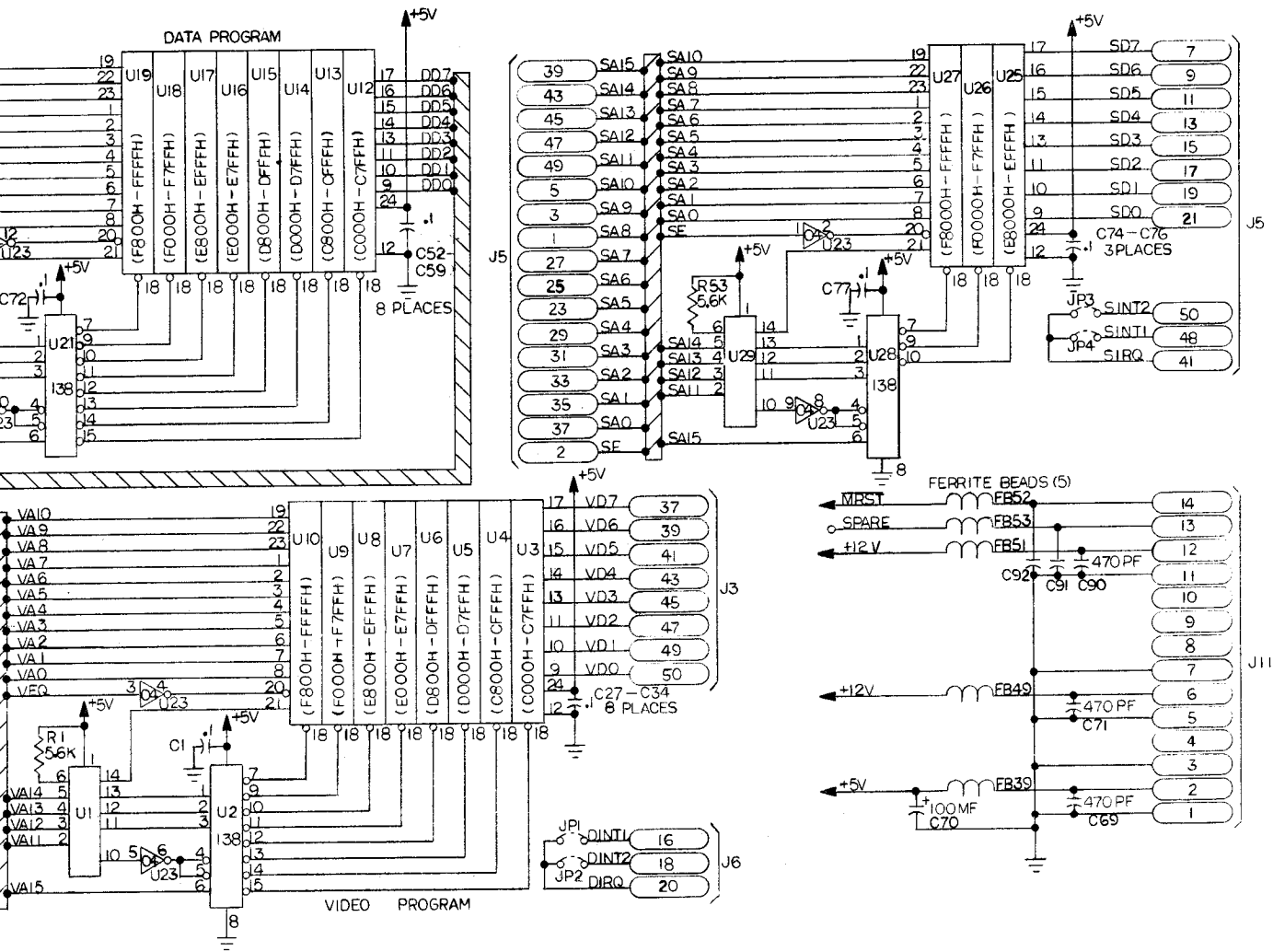
DATA PROCESSOR

SCALE: 1:1
 SIZE: D
 DRAWING NUMBER: 32-00002
 SHEET: 1 of 1



I/O SCHEMATIC

FIGURE 16



(68A21)	68A21 MEMORY MAP			
IC NO.	PORT A DIR REG	CONTROL REG A	PORT B DIR REG	CONTROL REG B
U11	9400H	9401H	9402H	9403H
U20	9900H	9901H	9902H	9903H
U30	9C00H	9C01H	9C02H	9C03H

POWER/GROUND TABLE			
IC	GND	+5	+12
68A21	1	20	
2716	12	24	
1S138	8	16	
1S04	7	14	

NOTICE TO ALL PERSONS RECEIVING THIS DRAWING
CONFIDENTIAL : Reproduction forbidden without the specific written permission of Taito America Corp., Elk Grove Village, IL. This drawing is only conditionally issued, and neither receipt nor possession thereof confers or transfers any right in, or license to use, the subject matter of the drawing or any design or technical information shown therein, nor any right to reproduce this drawing or any part thereof. Except for manufacture by vendors of Taito America Corp., and for manufacture under the corporation's written license, no right to reproduce this drawing is granted or the subject matter thereof unless by written agreement with or written permission from the corporation.

REVISIONS

UNLESS OTHERWISE SPECIFIED		DIMENSIONS		DRAWN BY		DATE		SCALE	
DIM	TOL.	METER	MM	HUGHES		3/81			
DESCRIPTION:				APPROVED BY		DATE			
ROM/IO									
DATE	BY	REV	DESCRIPTION	DATE	BY	REV	DESCRIPTION	DATE	BY
TITLES				DRAWING NUMBER		SHEET			
				D 32000003		1 of 1			

