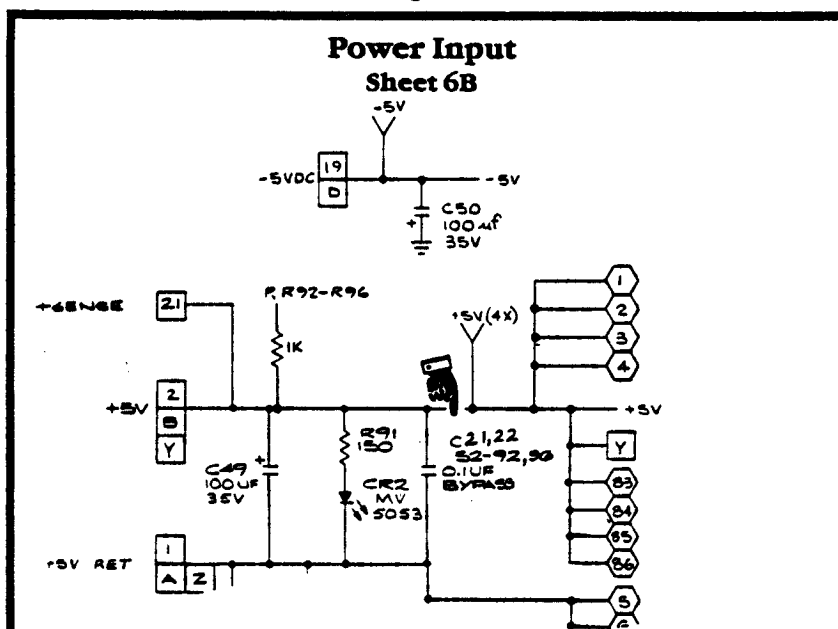


# Supplement to

# STAR WARS

**STAR WARS Schematic Package (SP-225, 1st printing)**  
**STAR WARS Operators Manual (TM-225, 1st printing)**  
**STAR WARS Operators Manual (TM-245, 1st printing)**

Please add the following correction to SP-225



Please make the following changes to the Main PCB parts list of TM-225 and/or TM-245:

## STAR WARS Main PCB Parts List

Designator	Description	Part No.
<b>Capacitors</b>		
<b>Add:</b>		
C21, C22	0.1 $\mu$ F, $\pm$ 5%, 50 V Ceramic Capacitor	122002-104
<b>Integrated Circuits</b>		
1F	300 ns Tri-State EROM Integrated Circuit	136021-101
<b>should be:</b>		
1F	300 ns EPROM Integrated Circuit	136021-114

