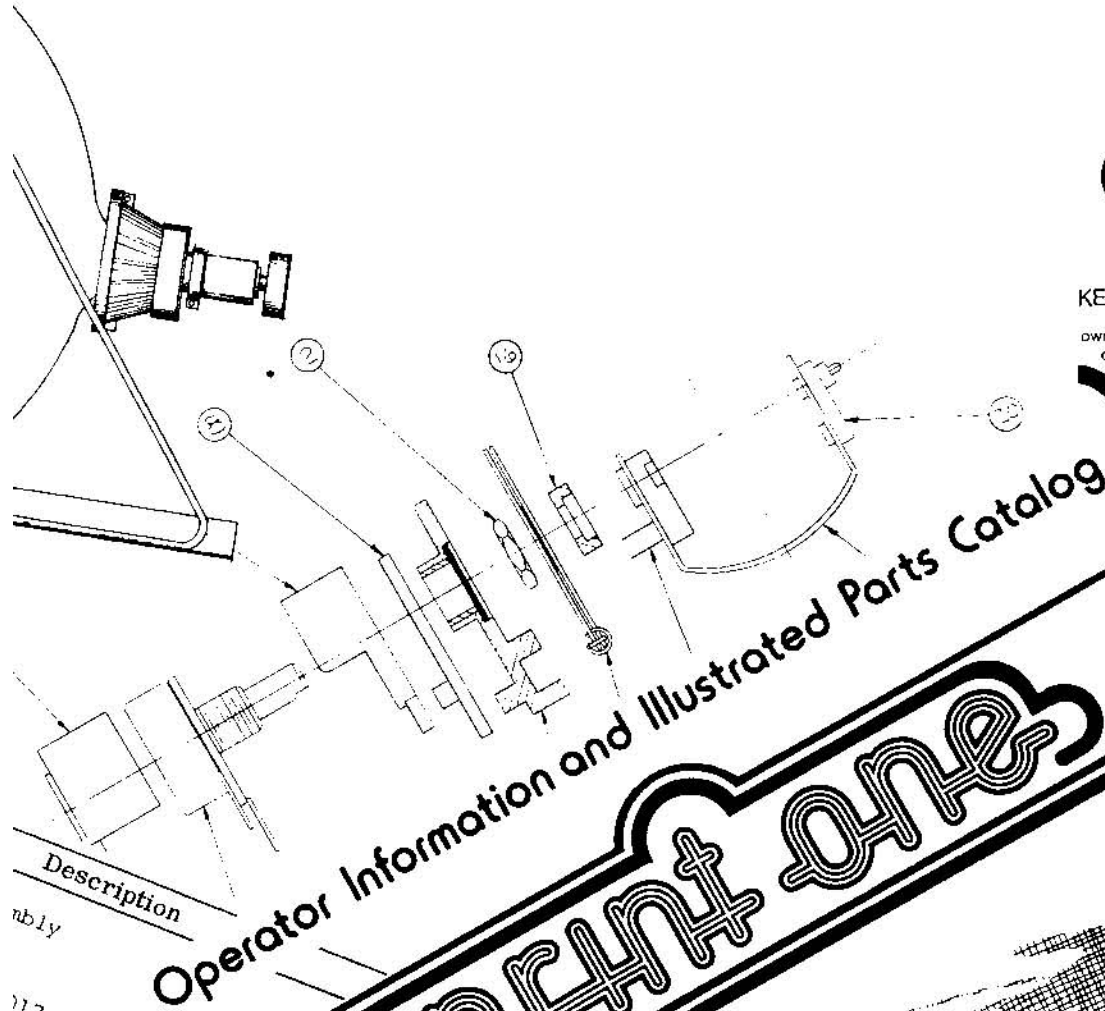




KEE GAMES  
a wholly  
owned subsidiary  
of Atari, Inc.



# Operator Information and Illustrated Parts Catalog

# SPRINT ONE

Description

Assembly

117

-006

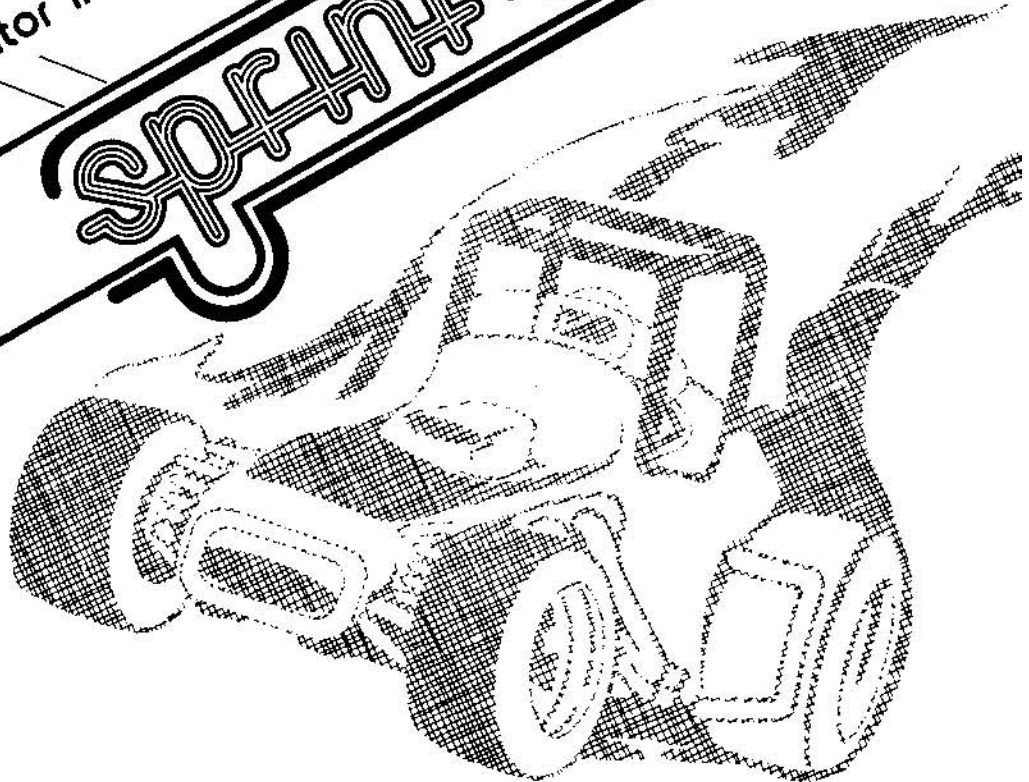
-005

350-020

50-021

1/8 I.D. x .025

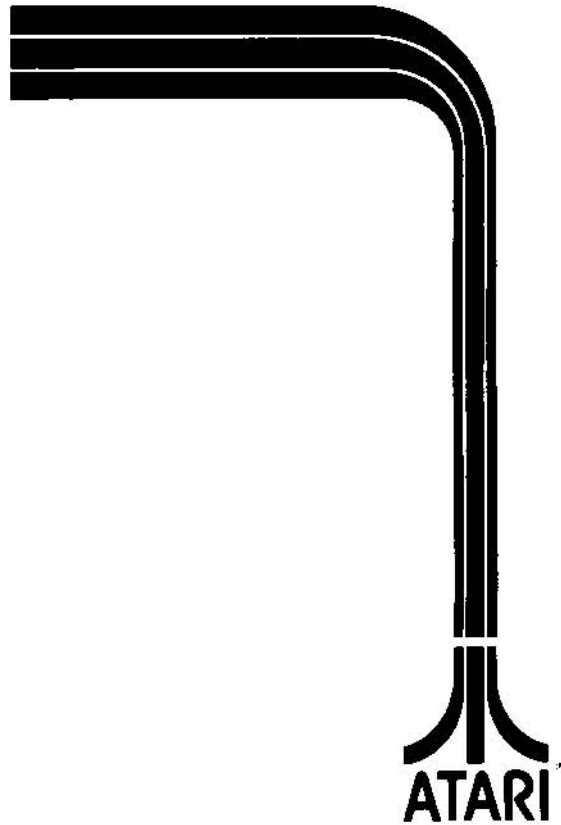
I.D. x .005 Thk



# Sprint One™

## Operator Information and Illustrated Parts Catalog

ATARI INC  
1265 BORREGAS AVENUE  
P.O. BOX 9027  
SUNNYVALE, CALIFORNIA 94086  
408 745-2000 • TELEX 35-7488



A Warner Communications Company 

## Table of Contents

Operator Options .....	2
Table 1 .....	3
Self-Test Procedure .....	4
Table 2 .....	4
Table 3 .....	6

## Illustrated Parts Catalog

Figure 1	Sprint One Final Assembly Drawing and Parts List .....	8
Figure 2	Cabinet Assembly Drawing and Parts List .....	12
Figure 3	Control Panel Assembly Drawing and Parts List .....	14
Figure 4	N-Shift Assembly Drawing and Parts List .....	16
Figure 5	Steering Wheel Assembly Drawing and Parts List .....	18
Figure 6	Steering Board Assembly Drawing, Parts List and Schematic .....	20
Figure 7	TV Shelf Assembly Drawing and Parts List .....	24
Figure 8	Power Supply Assembly Drawing and Parts List .....	26
Figure 9	Power Supply Schematic .....	28
Figure 10	Coin Door Assembly Drawing and Parts List .....	30
Figure 11	Harness Schematic .....	32
Figure 12	RF Shield PCB Assembly Drawing and Parts List .....	34
Figure 13	Sprint One PCB Assembly Drawing and Parts List .....	36
Figure 14	PCB Schematic Diagram (6 sheets) .....	43
Figure 15	Single Foot Pedal Assembly With Harness Assembly Drawing and Parts List .....	48

## OPERATOR OPTIONS

Options of the Sprint One™ game offer maximum player appeal for each game location. These options are listed in Table 1. They are preset for a certain game structure during production. To determine how the switches have been set for your game, compare the TV monitor viewing screen during the attract mode with the information in Table 1.

In order to change the toggle positions of the switch assembly and set the desired options, the printed circuit board (PCB) must be removed according to the following procedure:

1. Unplug the game. Unlock and open the rear access door.
2. Locate the RF box immediately inside the cabinet on the right. (It is an aluminum box with small holes.) On one end of the box is a printed circuit board with an edge connector coming from the edge of the board. This printed circuit board is the RF shield assembly.
3. Remove the five pan-head Phillips screws from each of the long sides (total of ten screws) of the RF shield assembly.

**IMPORTANT:** To prevent damage to the capacitors on the rear side of this PCB, move the board about 1/4" towards the edge connector (same direction as two arrows on small white label). Then pull the RF board out towards yourself. Never yank the RF board straight out of the metal box.

4. Carefully remove the PCB from the RF shield assembly.
5. Set the switches for the desired options, as shown in Table 1.
6. Reinstall the PCB following Steps 1 through 4 in reverse order. Do not force or bend the printed circuit board. Before reinstalling, always inspect the printed circuit board for damage. Close and lock the rear access door.
7. Plug in the game and verify option functions by playing it.

Table 1 Operator Options

		Switch Settings								Results	TV Monitor Display During Self-Test
		1	2	3	4	5	6	7	8		
ON	OFF									Oil slicks added to tracks No oil slicks	Oil
	ON	ON								Cycle to next track every lap Cycle to next track every two laps	Cycle
		ON ON OFF OFF	ON OFF ON OFF							Game cost - 25¢ per player Game cost - 25¢ for two players Game cost - 50¢ per player Game is free (No attract mode)	1 Coin Per Player 2 Players Per Coin 2 Coins Per Player Demo
				ON						Extended play equaling 3/10 of game time (set by toggles 7 and 8), if player obtains Pro rating during normal play. No extended play.	Extended Play
					ON OFF					Not used, any position OK Not used, any position OK	
						ON ON OFF OFF				Game time - 150 seconds Game time - 120 seconds Game time - 90 seconds Game time - 60 seconds	Time 150 Time 120 Time 90 Time 60

## SELF-TEST PROCEDURE

The self-test procedure permits you to check the TV monitor, the character-generating and sync circuits, and the controls. It speeds up troubleshooting by quickly isolating many kinds of component problems. This feature tests about 95% of the game's circuitry. The tests, except for the switches, are done automatically when the self-test switch is turned on. The results of each test are displayed sequentially on the TV monitor until the self-test switch is turned off. High scores will reset to 000 when performing the self-test. We suggest that you run the self-test each time the coin box is emptied.

Table 2 Self-Test Procedure

Test	Instruction	Results if Test Passes	Results if Test Fails
1	Unlock and open coin door. Set self-test slide switch (located inside and to the left of the coin door), to the "on" position.	TV monitor "flashes" alpha- numerics (A through Z, and 0 through 9) on the screen, while audio "hash" sound comes from speaker. Rotating car appears in the lower right-hand corner of the screen and moves diagonally toward upper left-hand corner. When the car reaches the upper left corner of the screen, RAM test is complete.	TV monitor display freezes.  NOTE TO TECHNICIAN  The TV monitor display freezes, with a letter or number showing on the screen. This letter or number corresponds to the alpha-numeric whose particular data code was not written into the RAM correctly.
		If RAM testing is satisfactory, self-test feature automatically begins the ROM test. (Test 2.)	

Table 2 Self-Test Procedure

Test	Instruction	Results if Test Passes	Results if Test Fails
2	No operator action required.	Self-test operator sees a visual representation of game structuring in white characters at the top of the screen. No other visual effects appear on the screen.	Black numbers appear in the center of the screen. Refer to Table 3 to determine the failing ROM locations on the PCB. Match the part number of the game's PCB with the part number in Table 3.
3	<p>Set gear shifter in 4th position then shift into 1st, 2nd, and 3rd positions.</p> <p>Step on accelerator foot pedal.</p> <p>Press START button.</p> <p>Trip right and left coin acceptor wires.</p>	<p>For each position, except 4th gear, an audio screech sound occurs.</p> <p>Audio screech sound occurs each time foot pedal is depressed.</p> <p>Audio screech sound occurs each time START button is pressed.</p> <p>Audio screech sound occurs each time wires are tripped.</p>	<p>A constant screech sound indicates a stuck switch or a shorted harness. No screech sound indicates a broken switch or an open harness.</p>
4	No operator action required.	Light-emitting diode for START button activates automatically and stays on.	Light in START button is not activated.

Table 3 ROM Locations for ROM Test Failure Indications  
 "Test 2 of Self-Test"

Failure Indication	0	1	2	3	4	5	6	7
Location of failing ROM for PCB 6433-01		B1	C1		L0 L1	M0 M1	N0 N1	P0 P1
Location of failing ROM for PCB 6433-02		R1	C1			D1		E1



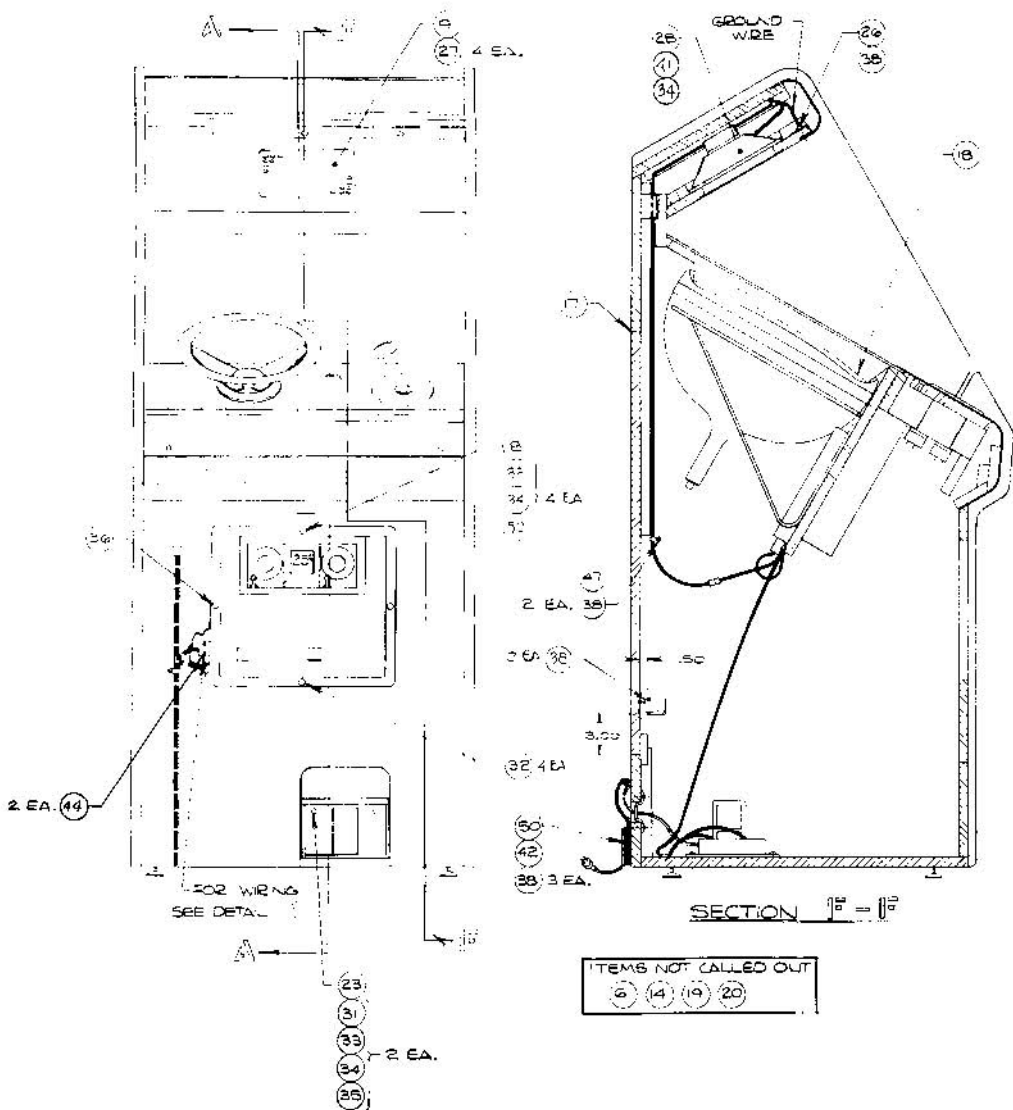


Figure 1 Sprint One Final Assembly  
A008872-01 B

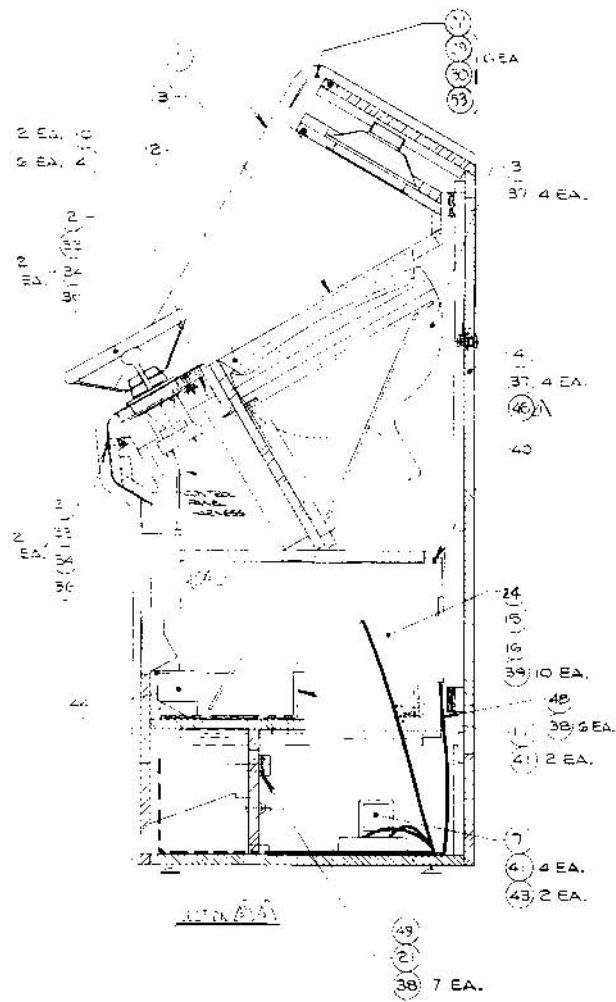


Figure 1 Sprint One Final Assembly  
A008872-01 B



Figure 1 Sprint One Final Assembly  
Parts List

Item	Part Number	Qty.	Description
1	A008873-01	1	Cabinet Assembly See Figure 2
2	A008874-01	1	Control Panel Assembly See Figure 3
3	A008875-01	1	T.V. Shelf Assembly See Figure 7
4	A007299-01	1	Rear Door Assembly with Lock
5	A009262-01	1	R.F. Shield Box Assembly
6	A008910-XX	1	Shipping Container Assembly
7	A007258-01	1	Power Supply Base Assembly, Type "C" See Figure 8
8	A009083-01	1	Coin Door Assembly See Figure 10
9	005419-01	1	Speaker Mesh Cover
10	002728-01	2	Brkt. Control Panel
11	006870-01	1	Coin Box Bracket
12	008901-01	1	Bezel, Cardboard
13	008903-01	1	Shield, Plex Cover
14	006311-01	1	Harness, Schematic See Figure 11
15	A006446-01	1	R.F. Shield PCB Assembly See Figure 12
16	A006443-XX	1	P.C.B. Assembly, Sprint I See Figure 13
17	005233-01	1	Rear Door Seal
18	006319-01	1	Copyright Decal
19	006305-01	1	Printed Poly Bag
20	TM-095	1	Tech. Manual
21	007103-01	1	On/Off Switch Cover
22	008906-01	1	Cover Panel with Graphics
23	A008845-01	1	Single Foot Pedal Assembly See Figure 15
24	78-24007	4	Cable Tie, Heat Stabilized
25			
26	78-6601216	1	Alum. Foil, 1" Wide x 20" Lg. (Approx.)
27	73-77004	4	Rivets, 3/16" OD x .68 Lg. (.250 - .500 Grip)
28	48-009	1	Speaker, 8"
29	82-8016	6	Screws, Button Hd. Socket Cap. #10-32 x 1.00" Lg.
30	75-99090006	6	Well Nuts, Blind Hole Fastener #10-32
31	75-5524B	4	Carriage Bolts, 1/2-20 x 1.50 Lg.
32	75-5516B	4	Carriage Bolts, 1/4-20 x 1.00 Lg.
33	75-045	6	Washers, Split-Lock 1/4
34	75-015S	11	Washers, Flat 1/4
35	75-915S	2	Hex Nuts, 1/4-20
36	75-935	4	Wing Nuts, 1/4-20
37	82-1824	8	Wood Screws, #8 x 1 1/2 Lg. Ft. Hd. Phil.
38	72-6610	22	Screws, Sm. Pan Hd. Phil. #6 x 5/8 Lg.
39	72-6608	10	Screws, Sm. Pan Hd. Phil. #6 x 1/2 Lg.

A Warner Communications Company



Figure 1 Sprint One Final Assembly  
Parts List

Item	Part Number	Qty.	DESCRIPTION
40	72-6808	1	Screws, Sm. Pan Hd. Phil. #8 x 1/2 Lg.
41	72-6812	15	Screws, Sm. Pan Hd. Phil. #8 x 3/4 Lg.
42	78-25001	1	Screw Down Tie-Wrap
43	46-201302	2	Fuses, 3 AMP
44	A007902-01	1	Cash Box Assembly
45	IPC-095	1	Illustrated Parts Catalog
46	ST-095	1	Self Test Chart
47	A009063-01	1	Speaker Harness Assembly
48	A006312-02	1	Main Harness Assembled to Volume Control
49	A009509-01	1	Power Switch & Harness Assembly
50	A007784-01	1	Strain Relief Power Cord Assembly
52	75-990505S	4	1/2-20 Nylon Locknuts
53	75-07021	6	#10 Nylon Black Washers

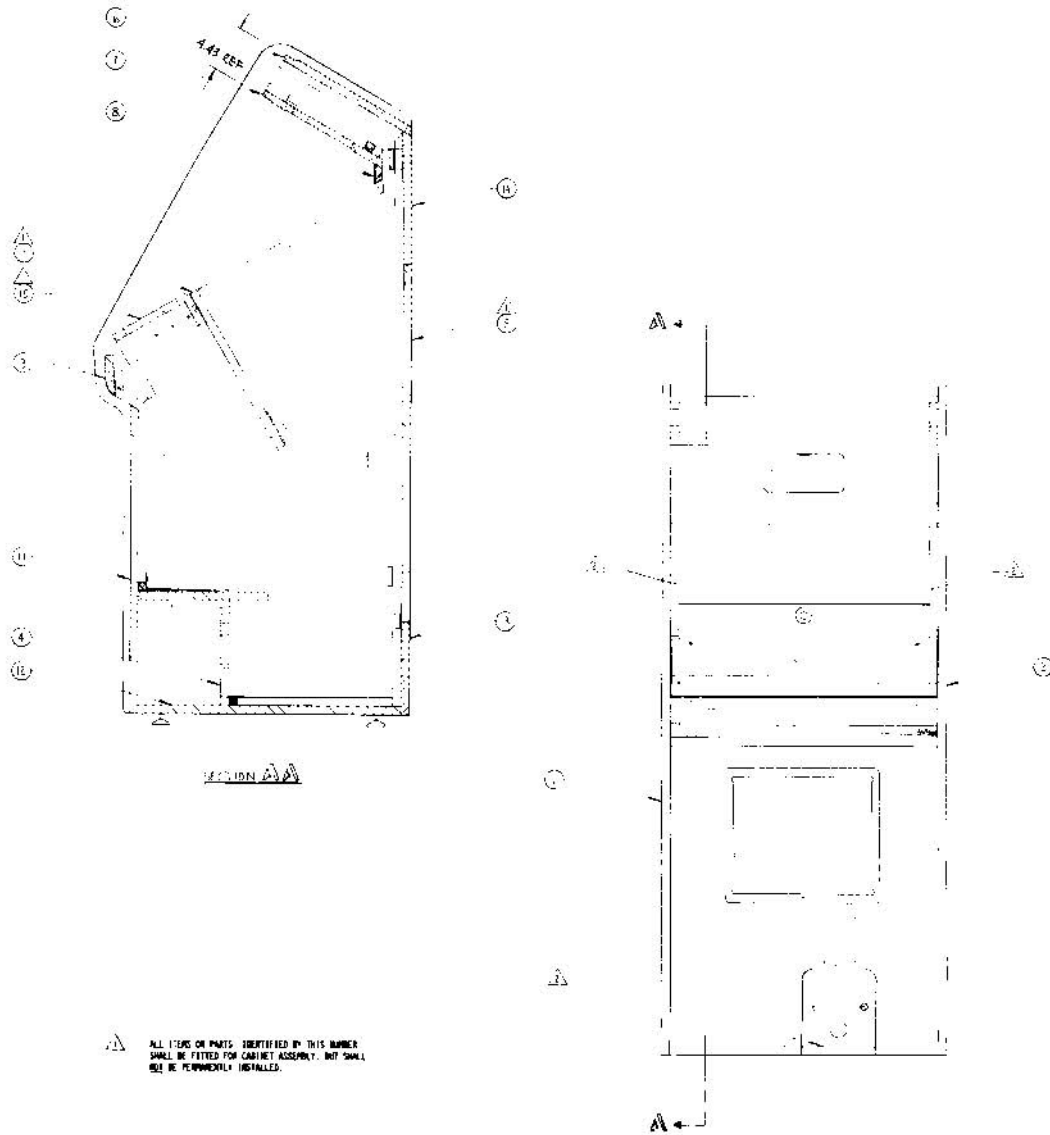


Figure 2 Cabinet Assembly  
A008873-01 A



Figure 2 Cabinet Assembly  
Parts List

Item	Part Number	Qty.	Description
1	A008877-01	1	Left Hand Side Panel Cleat Assembly
2	A008877-02	1	Right Hand Side Panel Cleat Assembly
3	A008878-01	1	Lower Control Panel Assembly
4	A008879-01	1	Foot Pedal Box Assembly
5	A007298-01	Ref	Rear Door Assembly
6	008908-01	1	Panel, Top
7	A008876-01	1	Panel, Speaker Mounting Assembly
8	008895-01	1	Panel, Plex Support
9	008897-01	Ref	T.V. Mounting Shelf
10	008898-01	Ref	Panel, Control Support
11	008881-01	1	Panel, Front
12	008896-01	1	Panel, Base
13	008882-01	1	Panel, Lower Rear
14	008883-01	1	Panel, Upper Rear

 A Warner Communications Company

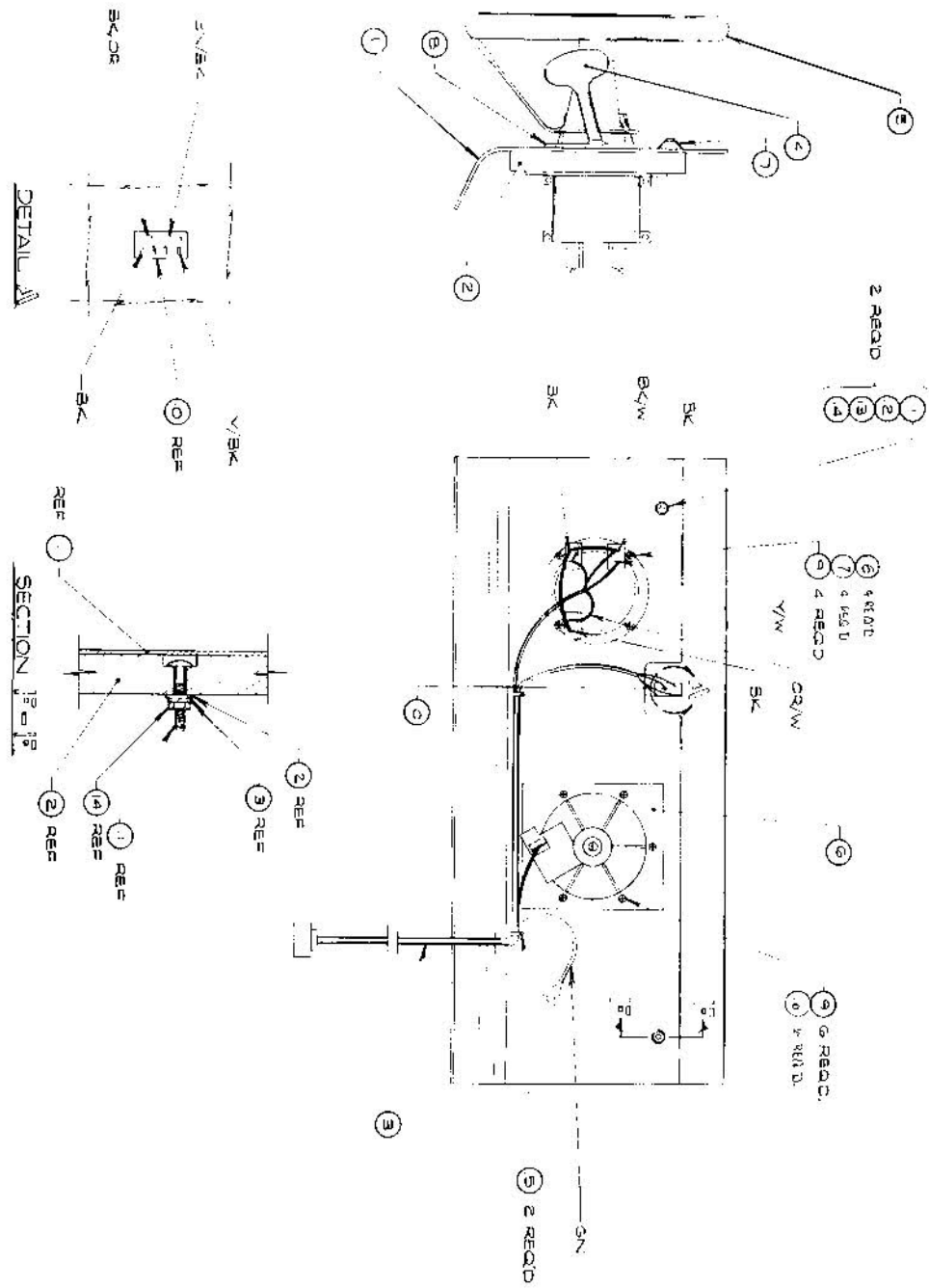


Figure 3 Control Panel Assembly  
A008874-01 A



Figure 3 Control Panel Assembly  
Parts List

Item	Part Number	Qty.	Description
1	008902-01	1	Control Panel with Graphics
2	008898-01	1	Control Panel with Wood Support
3	A006313-01	1	Assembly, Control Panel Harness
4	A000608-02	1	N-Shift Assembly See Figure 4
5	A000598-02	1	Steering Wheel Assembly See Figure 5
6	000567-01	1	Bow Washer
7	001856-01	1	Bushing Alum.
8	005255-01	1	Shift Bezel
9	85-22F112	10	Screws, #10-24 x 3/4 Lg "F" Type Phil.
10	62-002	1	LED Switch
11	75-5524	2	Carriage Bolt, 1/2-20 x 1 1/2 Lg.
12	75-015S	2	Washers, Flat 1/4
13	75-045	2	Washers, Split-Lock 1/4
14	75-915S	2	Hex Nuts, 1/2-20
15	75-6610	2	Screw, Sheet Metal, #6 x 5/8" Lg.
16	75-040	10	#10 Split-Lock Washers
17	75-010S	4	#10 Plain Flat Washers



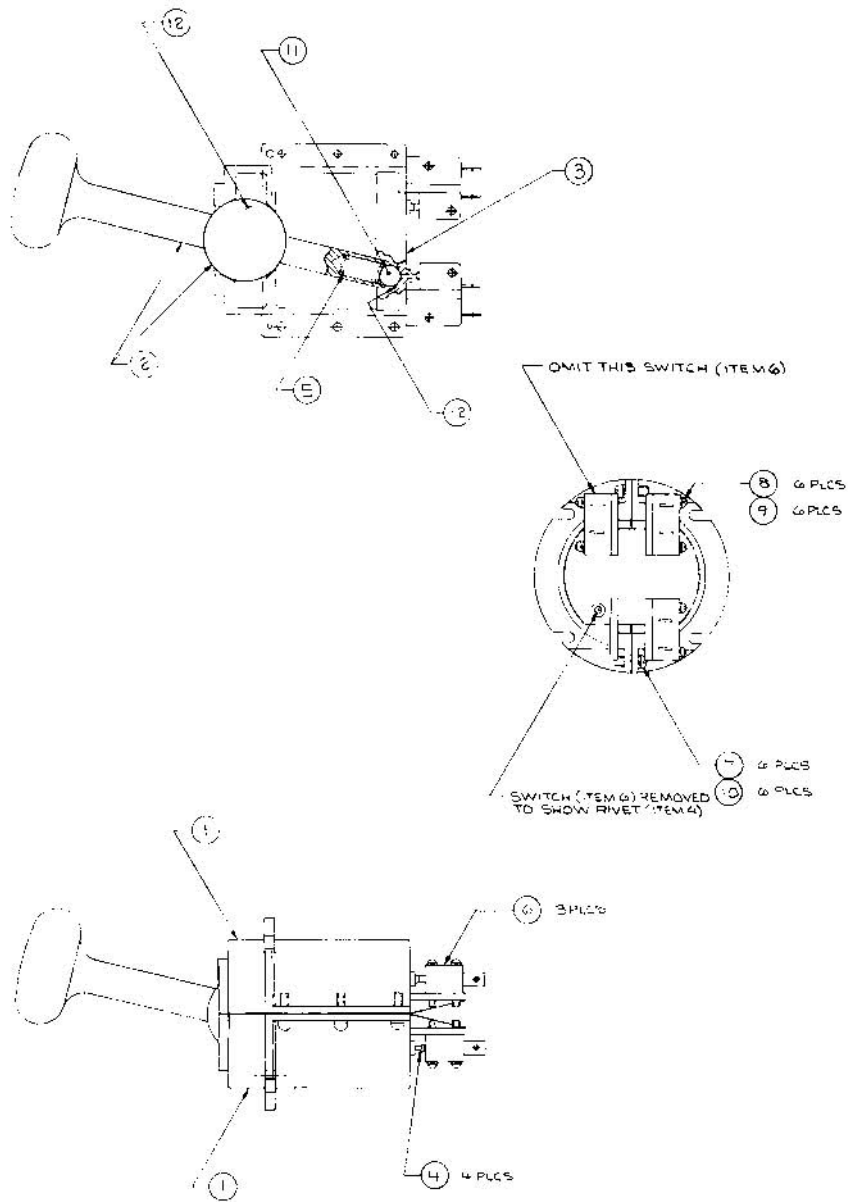


Figure 4 N-Shift Assembly  
A000608-02 Q



Figure 4 N-Shift Assembly  
Parts List

Item	Part Number	Qty.	DESCRIPTION
1	000609-01	2	Shift Housing
2	A000610-01	1	Handle Assy
3	005671-01	1	Shift Detent
4	73-7C0307SH	3	Shift Rivets
5	78-3002003	1	Spring, Assoc., Spring Co. (Co 360-032-100M/W)
6	65-021A	3	Switch, Cherry (E18-00M)
7	75-046	6	Washers, #6 Split-Lock
8	75-044	6	Washers, #4 Split-Lock
9	85-22F412	6	SCR Mach., 4-40 x 3/4 Lg. Pan HD., Self Threading Type "F"
10	85-22F608	6	SCR Mach., 6-32 x 1/2 Lg. Pan HD., Self Threading Type "F"
11	76-11375S	1	Ball, Steel, 3/8 Dia. Bearing Grade
12	78-16002	A/R	Silicone Compound, Dow Corning #5
13	78-33001	1	Clamp, Hose

NOTE: Item #13, 78-33001, Hose Clamp is to be used only with old shift housing P/N 000609 Rev. "D"

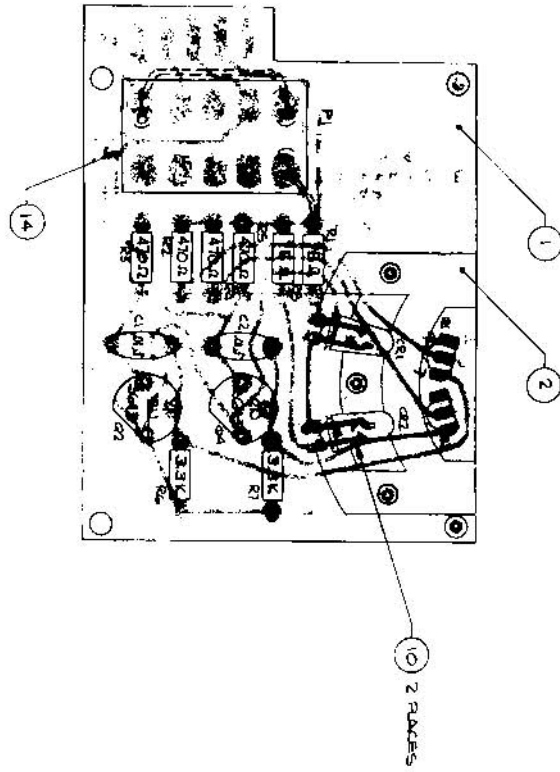
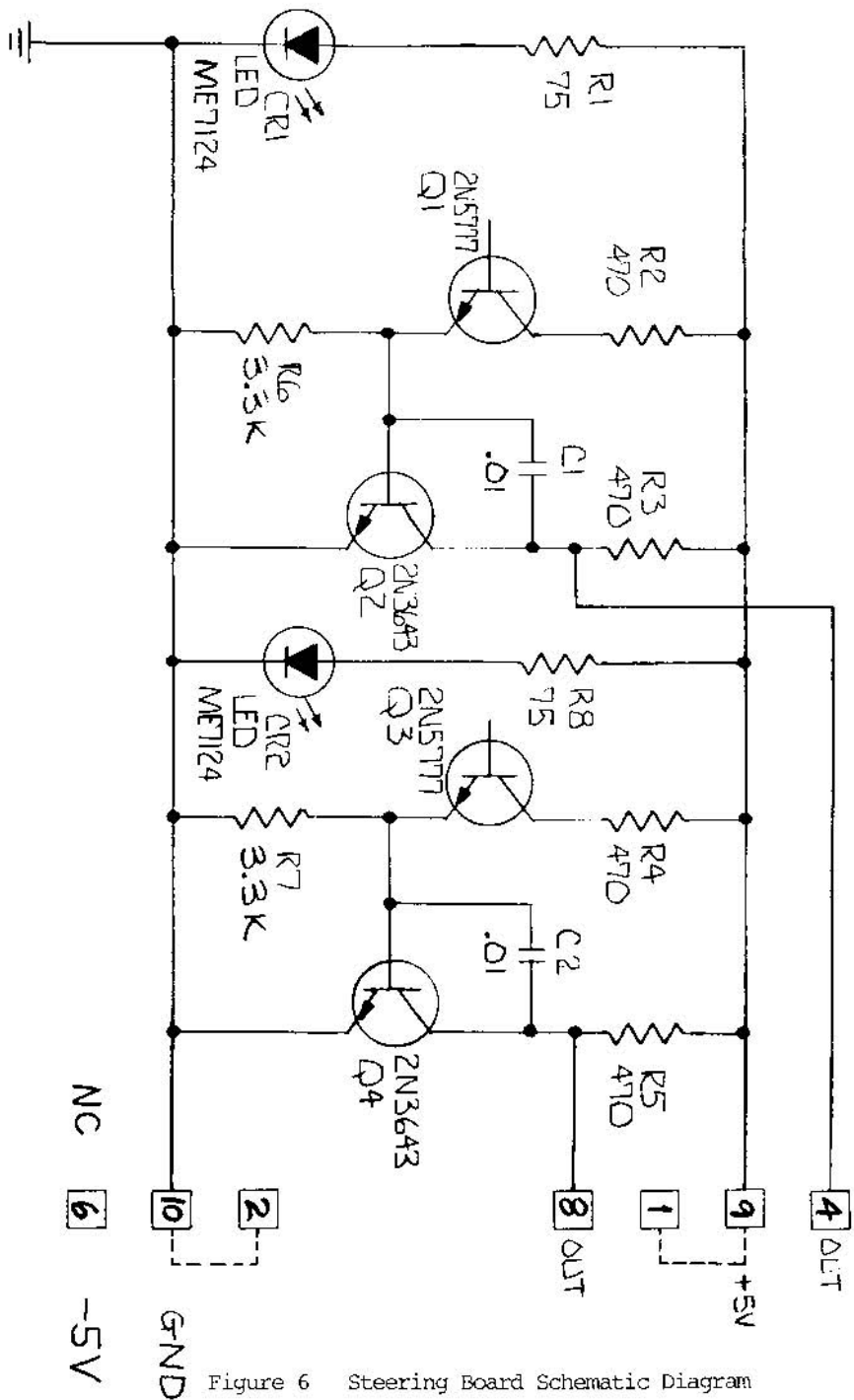


Figure 6 Steering Board Assembly  
A000607 M



Figure 6 Steering Board Assembly  
Parts List

Item	Part. No.	Qty.	Description
1	000614	1	Printed Circuit Board (E)
2	001092	1	Light Mount
3	001151	Ref	Schematic Diagram
4	11750/10-5750	2	Resistor, Comp., 75 ohm, 1/4 watt, 5%
5	11471/10-5471	4	Resistor, Comp, 470 ohm, 1/4 watt, 5%
6	11332/10-5332	2	Resistor, Comp, 3.3Kohm, 1/4 watt, 5%
7	34104 /27-101103	2	Capacitor, Ceramic, .01 $\mu$ f
8	70006/38-2N5777	2	Transistor, 2N 5777 (Photo Darlington)
9	70000/34-2N3643	2	Transistor, 2N 3643
10	71008/38-ME7124	2	Light-Emitting Diode, I.R. ME 7124
11			
12			
13			
14	80089 /79-58005	1	Connector, 10 pin, PC Mount, Amp #1-380991
15	72-1212S	1	Screw, Machine, Pan Head Phil, #2-56 x 3/4 Lg.
16	75-042	1	Washer, Split Lock #2
17	75-912S	1	Nut, Hex, #2-56
18	003749	1	Retainer, LED Light Mount



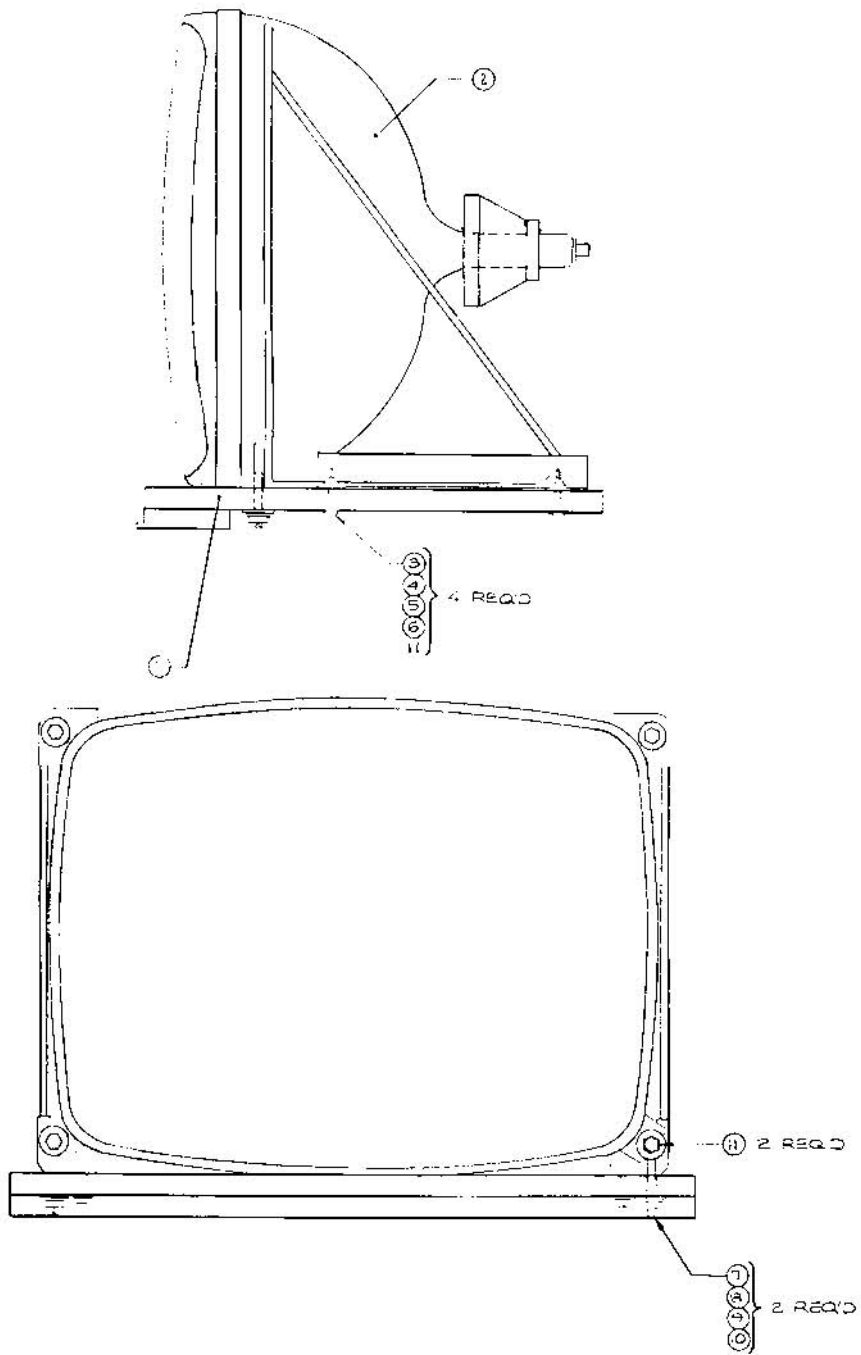


Figure 7 TV Shelf Assembly  
A008875-01 A



Figure 7 TV Shelf Assembly  
Parts List

Item	Part Number	Qty.	Description
1	008897-01	1	Panel, T.V. Shelf
2	92-032	1	23" T.V. Monitor
3	75-5120	4	Carriage Bolts #10-24 x 1.25 Lg.
4	75-040	4	Lock Washer #10
5	75-911S	4	Hex Nuts, #10-24
6	75-010S	4	Flat Washers, #10
7	82-405	2	Eye Bolts, 1/2-20 x 3" Lg.
8	75-07002	2	Flat Washer 1/4, Fender
9	75-045	2	Lock Washers, Split 1/4
10	75-915S	2	Hex Nuts, 1/2-20
11	72-6012	2	Screws, Sm. #10 x 3/4" Lg.
12	75-015S	4	Flat Washer, #1/4







Figure 8 Power Supply Assembly  
Parts List

Item	Part Number	Qty.	Description
1	A009266-01	1	Power Supply Base Weldment
2	A006886-02	1	Transformer Termination Assembly "Type C"
3	78-2708	1	Grommet, Plastic
4	A006958-01	A/R	Volt Sel Block, 95V
5	A006958-02	"	Volt Sel Block, 110V
6	A006958-03	"	Volt Sel Block, 205V
7	A006958-04	"	Volt Sel Block, 220V
8	79-4411004	5	Fuse Holder, Panel Mounting
9	A007192-01	1	Power Switch Termination Assembly
10	A007444-01	1	Power In Harness
11	41-2003	1	Filter, Power Line, 5 AMP
12	75-038	6	Washer, Lock External Tooth, Steel #8
13	75-918S	6	Nut, Mach., Hex, Steel #8
14	72-1812S	6	Screw, Pan Hd., Steel #8-3/4
15	75-018S	8	Washer, Flat, Steel #8
16	46-203801	1	Fuse, 8 AMP, 125V, 3 AG Fast Acting
17	46-201251	2	Fuse, 2½ AMP, 125V, Slow Acting

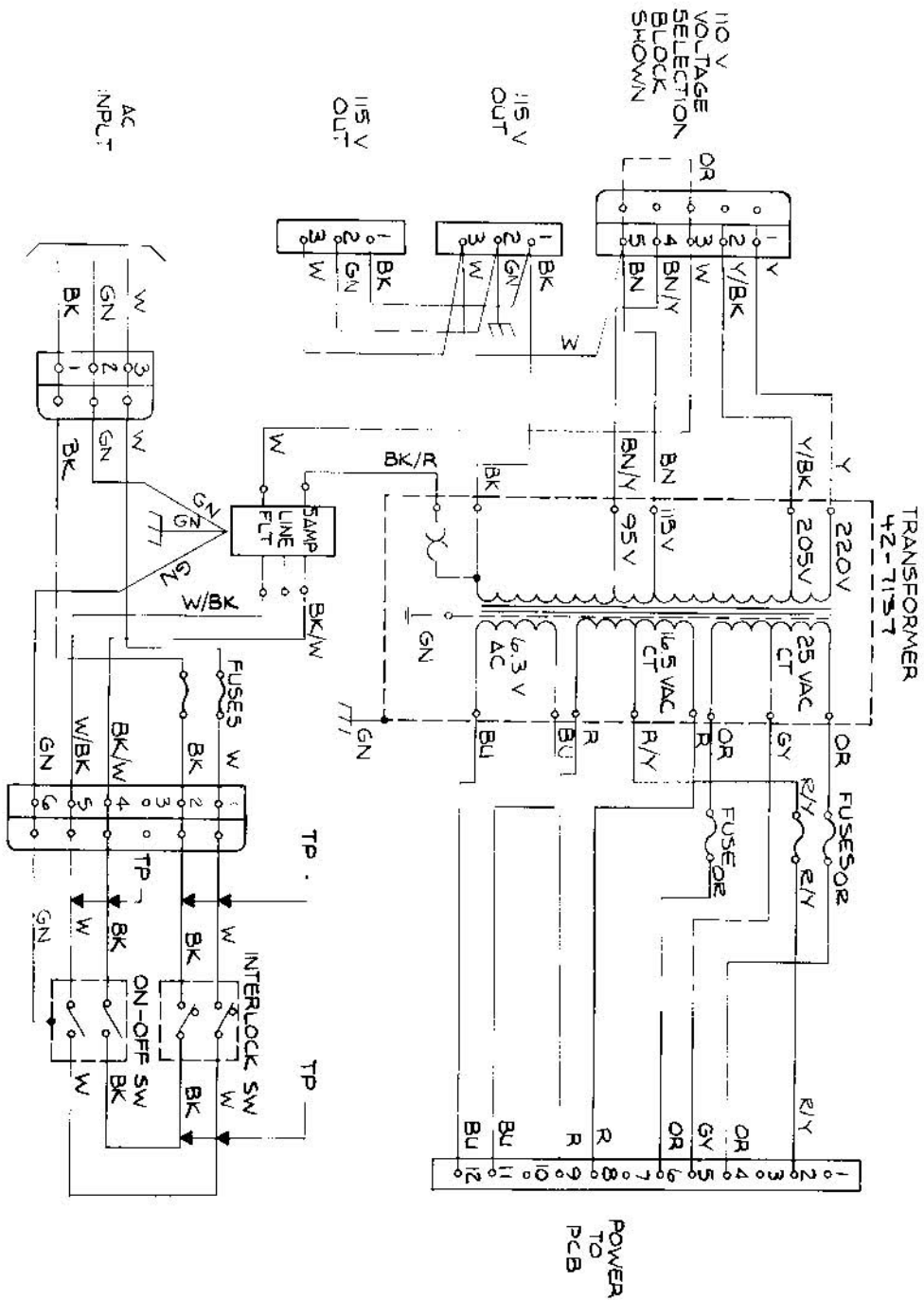


Figure 9 Power Supply Schematic

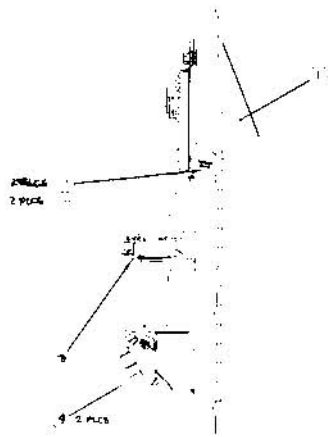
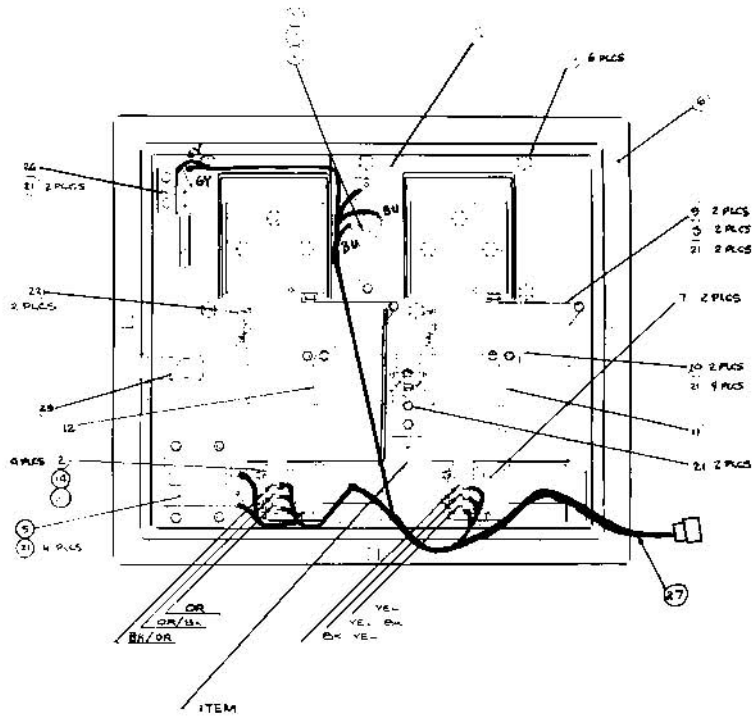


Figure 10 Coin Door Assembly  
A006794-01 through -07 C



Item	Part Number	Qty.	Description
1	A007637-01	1	Front Bezel Assy. - Used only on -01 Coin Door Assy.
	A007637-02	Ref.	Front Bezel Assy. - Used only on -02 Coin Door Assy.
	A007637-03	Ref.	Front Bezel Assy. - Used only on -03 Coin Door Assy.
	A007637-04	Ref.	Front Bezel Assy. - Used only on -04 Coin Door Assy.
	A007637-05	Ref.	Front Bezel Assy. - Used only on -05 Coin Door Assy.
	A007637-06	Ref.	Front Bezel Assy. - Used only on -06 Coin Door Assy.
	A007637-07	Ref.	Front Bezel Assy. - Used only on -07 Coin Door Assy.
2	75-9165	4	Nut 6-32
3	A007649-01	1	Coin Lock Out Assembly
4	A007640-01	2	Coin Switch Assembly
5	A002465-01	1	Coin Counter Assembly
6	004320-01	1	Coin Door Weldment
7	004341-01	2	Secondary Coin Chamber
8	004344-01	1	Key Loop
9	004340-01	2	Spring Return
10	004337-01	2	Bracket, Wire Form
11	004338-01	1	Lock Out, Wire Form, R.H.
12	004336-01	1	Lock Out, Wire Form, L.H.
13	004326-01	2	Button, Jawed
14	75-046	4	Lock Washer #6
15	006904-01	2	Spacer
16	007359-01	1	Lamp Socket
17	70-11-47	1	Lamp
18	73-2008	2	Retaining Nut, Torque #5103-25
19	75-9914001	6	Self-Threading Nut, American #SR100000
20	75-0265	4	Washer #6
21	75-00516	13	Knobnut, Style 842, Std., G-32
22	008629-01	2	Spring
23	71-2118	1	Lock Assembly, Pushon Lock
24	71-1225CU	2	Coin Mechanism for American Quarter Only
	71-1225FB	Ref.	Coin Mechanism for Belgian 5 Francs Only
	71-121XC	Ref.	Coin Mechanism for German Mark Only
	71-121KS	Ref.	Coin Mechanism for Swedish Krona Only
	71-12100YJ	Ref.	Coin Mechanism for Japanese 100 Yen Only
	71-1210PF	Ref.	Coin Mechanism for English 10 Pence Only
	71-1220CA	Ref.	Coin Mechanism for Australian 20-Cent Piece only
25	007753-01	1	Plate, Anti-Probe
26	A007638-01	1	Switch Assembly - Slam
27	A006921-01	1	Harness Assembly

A Warner Communications Company

Figure 10 Coin Door Assembly  
Parts List



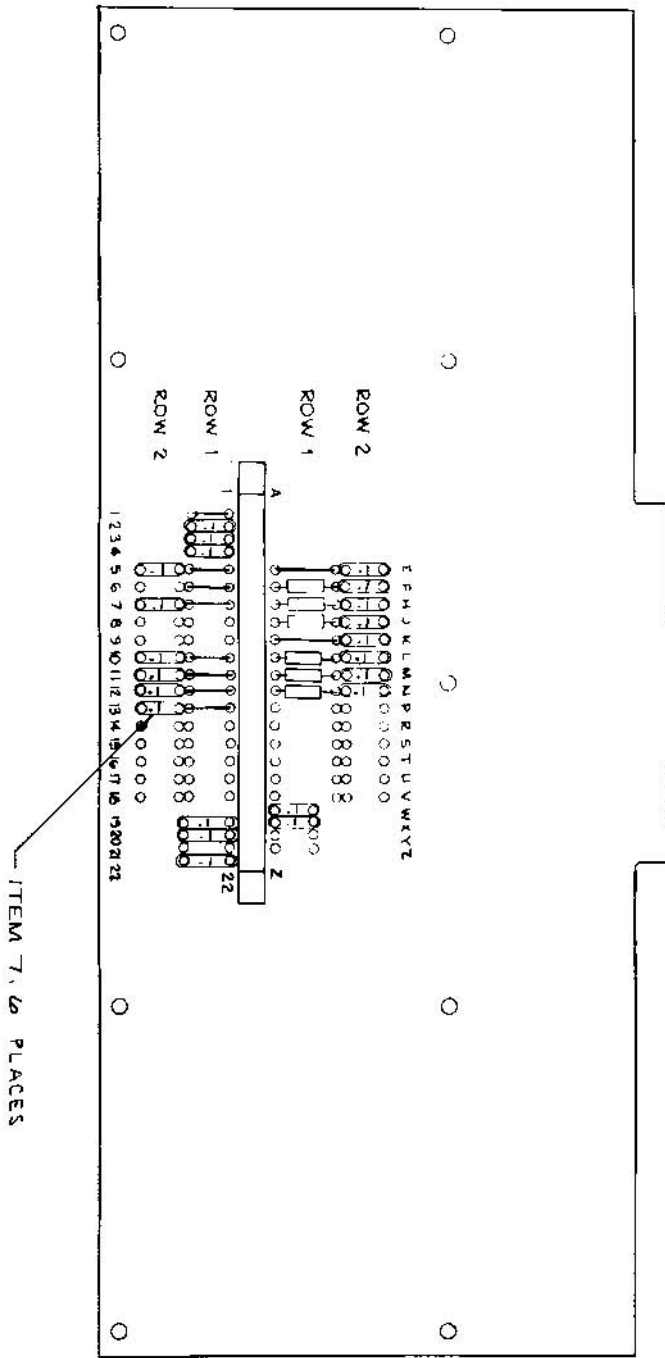
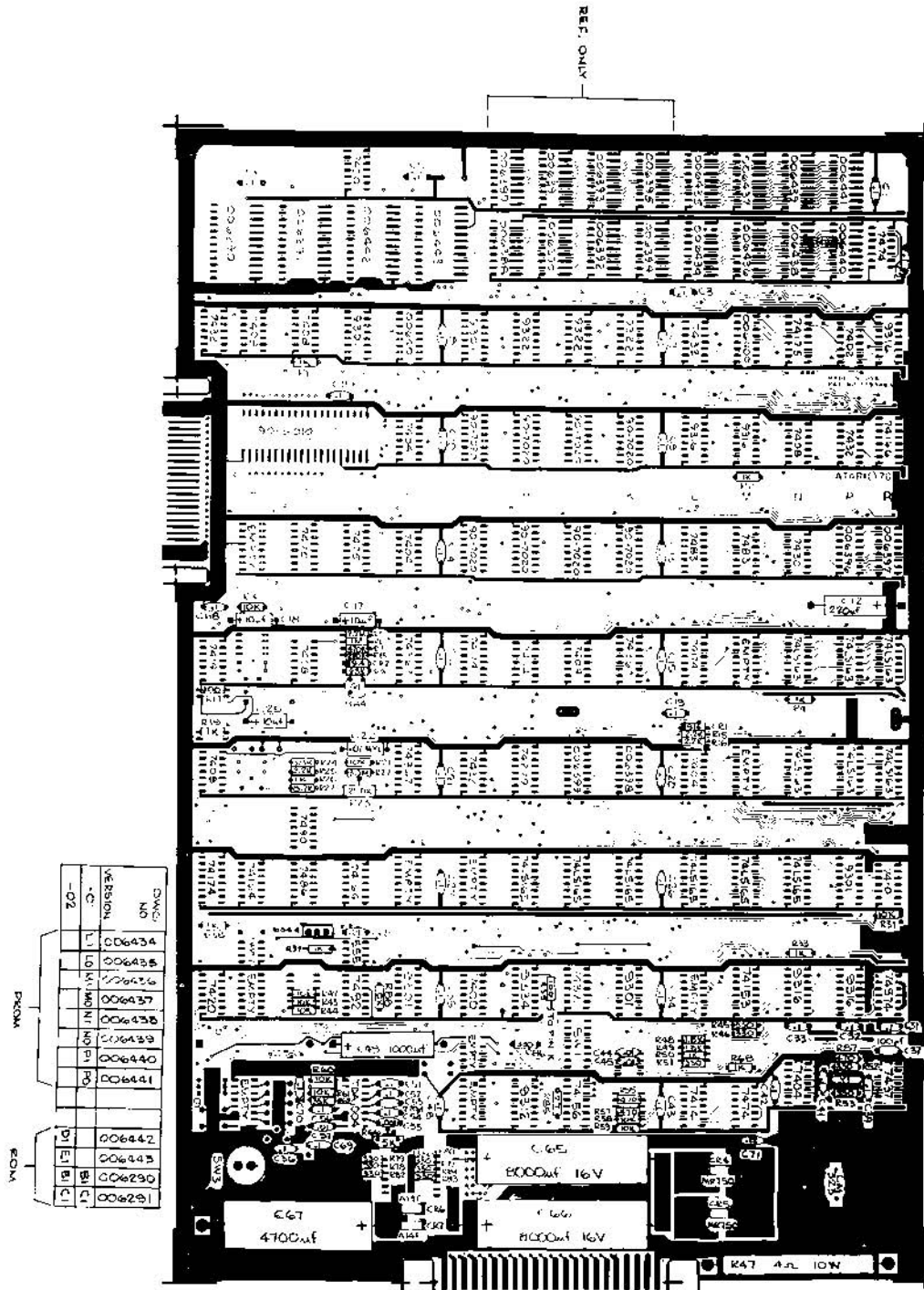


Figure 12 RF Shield PCB Assembly  
A006446-01 A



Figure 12 RF Shield PCB Assembly  
Parts List

Item	Part Number	Qty.	Description
1	005491-01	1	PC Board
2	79-517222	1	Connector, 44 Pin P.C. Mount
3	41-3003	6	Inductor, 100 $\mu$ h Large Case
4	27-250104	16	Cap, Cer. Disc 0.1 $\mu$ f 25V
5	52-002	8	Jumper, .4 Center
6	52-003	2	Jumper, .6 Center
7	27-A250104	6	Cap, Cer Disc 0.1 $\mu$ f 25V



PCB		REV		QTY	DESCRIPTION
1	PCB	1	1	1	006434
2	PCB	1	1	1	006435
3	PCB	1	1	1	006436
4	PCB	1	1	1	006437
5	PCB	1	1	1	006438
6	PCB	1	1	1	006439
7	PCB	1	1	1	006440
8	PCB	1	1	1	006441
9	PCB	1	1	1	006442
10	PCB	1	1	1	006443
11	PCB	1	1	1	006290
12	PCB	1	1	1	006291

Figure 13 Sprint One PCB Assembly  
A006433-01 B





Figure 13 Sprint One PCB Assembly  
Parts List  
-01 Version

Item	Part Number	Qty.	Description
1	03006-C3	1	SPECIAL NEW P.C.B. BOARD
2	10-5101	2	RES., CERAMIC, 5% WR 100 OHM
3	10-5102	10	" " " " " " 1X " " " " " " R1,2,4,19,26,33,38,50,68,77
4	10-5103	11	" " " " " " 10K " " " " " " R1,21,31,42-44,54-61,88
5	10-5104	1	" " " " " " 1M " " " " " " R6
6	10-5182	2	" " " " " " 1.5K " " " " " " R48,49
7	10-5222	3	" " " " " " 2.2K " " " " " " R15,16,25
8	10-5224	1	" " " " " " 2.2K " " " " " " R8
9	10-5228	1	" " " " " " 2.2M " " " " " " R2
10	10-5331	15	" " " " " " 310 " " " " " " R13,46,51-53,77-81,89
11	10-5333	1	" " " " " " 33K " " " " " " R63
12	10-5335	1	" " " " " " 3.3K " " " " " " R22
13	10-5392	1	" " " " " " 3.3K " " " " " " R24
14	10-5471	3	" " " " " " 470 " " " " " " R47,53,57
15	10-5474	1	" " " " " " 470K " " " " " " R7
16	10-5683	1	" " " " " " 68K " " " " " " R9
17	10-5812	1	" " " " " " 8.2K " " " " " " R27
18	19-80844P0	1	RES., MOUNTING 10K, 1 OHM
19	19-315502	1	TYPING, EX OHM
20	19-315554	1	TYPING, 250K OHM
21			
22	10-5376	1	RES., CERAMIC, 5%, WR 27 OHM
23			
24			
25	21-10103	1	CAP., MYLAR, 10UF 100V

Item	Part Number	Qty.	Description
26			
27			
28	24-16008	2	CAP., ELECTROLYTIC, 800UF, 16V
29	24-25010C	3	" " " " 10UF 25V
30	24-25010B	1	" " " " 1000UF 25V
31	24-25027	1	" " " " 220UF 25V
32	24-25047B	1	" " " " 470UF 25V
33			
34			
35	27-25010Z	1	CAP., CERAMIC DISC, 100UF, 25V
36	27-250103	4	" " " " 10UF 25V
37	27-250104	37	" " " " 10UF 25V
38	27-25024	1	" " " " 22UF 25V
39			
40	28-101103	1	CAP., DIPPED MICA, 100PF, 100V
41	28-101221	1	" " " " 220PF 100V
42			
43			
44			
45			
46	31-201F	2	DIODE, ALP
47	31-2K750	2	DIODE, 1N750
48	31-1H914	2	DIODE, 1N914
49			
50			
51	33-2N3644	2	TRANSISTOR, 2N3644
52			
53	34-2N6044	1	TRANSISTOR, 2N6044
54			
55			
56			
57	37-7400	2	INTEGRATED CIRCUIT, 7400
58	37-7402	1	" " " " 7402
59	37-7404	6	" " " " 7404



Figure 13 Sprint One PCB Assembly  
Parts List  
-01 Version

Item	Part Number	Qty.	Description
60	37-7408	5	Integratd Circuit 7409
61	37-7410	1	7410
62	37-7414	2	7414
63	37-7420	1	7420
64	37-7430	1	7430
65	37-7432	5	7432
66	37-7437	1	7437
67	37-7474	2	7474
68	37-7487A	1	7487A
69	37-7475	2	7475
70	37-7482	2	7482
71	37-7486	1	7486
72	37-7490	1	7490
73	37-7492	1	7492
74	37-9012	1	9012
75	37-74153	1	74153
76	37-74156	1	74156
77	37-74163	6	74163
78	37-74164	2	74164
79	37-74165	6	74165
80	37-74166	1	74166
81	37-74174	3	74174
82	37-74175	1	74175
83	37-74279	1	74279
84	37-9301	5	9301
85	37-9316	5	9316
86	37-9322	1	9322
87	37-9334	1	9334
88	37-955	1	955
89	37-74287	1	74287
90	00-7322	8	21102A
91	37-2493	1	2493
92	37-70A1304	1	09-1A2
93			70A1304 29
94			
95			
96			
97	63-001	1	Switch, SPST, Momentary
98			
99	66-118P1T	1	Switch, SPST, x8, 2T
100			
101			
102			
103	72-1008C	2	Screws, Pan Hd., Phillips, 6-32 x 1/4, CRSS
104	75-016	2	Washer, Flat #6
105	76-036	2	Washer, Lock, Torq, Star, #6
106	75-918C	2	Nut, Hex., 6-32 CRSS
107			
108			
109	78-0830L	1	Washer, (3M23)
110	78-06009	1	Washer, (70A1304)
111	78-13016	1	Washer, (70A1304)
112	78-16005	1	Silipad (LN323)
113			
114			
115			
116			
117			
118			
119	79-42 010	1	Socket, 40 Pin, Med., Insertion
120			
121			
122			
123	90-102	1	Crystal 12.096
124			
125			
126			
127	00A434-01	1	Sprint 1 Program Prom 1
128	00A435-01	1	Sprint 1 Program Prom 2
129	00A436-01	1	Sprint 1 Program Prom 3
130	00A437-01	1	Sprint 1 Program Prom 4



Figure 13 Sprint One PCB Assembly  
Parts List  
-01 Version

Item	Part Number	Qty.	Description
131	006438-01	1	Sprint 1 Program Prom 5
132	006439-01	1	Sprint 1 Program Prom 6
133	006440-01	1	Sprint 1 Program Prom 7
134	006441-01	1	Sprint 1 Program Prom 8
135			
136			
137			
138			
139			
140			
141			
142			
143			
144			
145			
146			
147	006396-01	1	Sprint Character Prom LSB
148	006397-01	1	Sprint Character Prom MSB
149			
150			
151	006398-01	1	Sprint Race Car Prom LSB
152	006399-01	1	Sprint Race Car Prom MSB
153			
154			
155	006400-01	1	Sprint Sync Prom
156			
157			
158	006401-01	1	Sprint Address Decode Prom
159			
160			
161			
162			
163			
164			
165			
166			

Item	Part Number	Qty.	Description
167	006290-01	1	Sprint Race Trak Rom 1
168	006291-01	1	Sprint Race Trak Rom 2
169	90-6010	1	Integrated Circuit

ATARI is a registered trademark of Atari Corporation.



Figure 13 Sprint One PCB Assembly  
Parts list  
-02 Version

Item	Part Number	Qty.	Description
1	036626-01	1	Sprint 1 P.C. Board
2	10-5101	2	Res., Carbon, 5%, 1/4 100 OHM
3	10-5102	10	" " " " 1K "
4	10-5103	11	" " " " 10K "
5	10-5105	1	" " " " 1M "
6	10-5162	2	" " " " 1.8K "
7	10-5222	1	" " " " 2.2K "
8	10-5324	1	" " " " 220K "
9	10-5235	1	" " " " 2.2M "
10	10-5331	11	" " " " 310 "
11	10-5332	1	" " " " 31K "
12	10-5335	1	" " " " 1.3K "
13	10-5302	1	" " " " 1.3K "
14	10-5471	3	" " " " 470 "
15	10-5474	1	" " " " 470K "
16	10-5683	1	" " " " 68K "
17	10-5822	1	" " " " 8.2K "
18	19-ROBERTO	1	Res., Wirewound 10W, 4 OHM
19	19-315F02	1	Trimpot, 5K OHM
20	19-315S64	1	Trimpot, 250K OHM
21	10-5270	1	Res., Carbon, 5%, 1/4 27 OHM
22			
23			
24			
25	21-3011B3	1	Cap., Mylar, .01uf 100V

Item	Part Number	Qty.	Description
26			
27			
28	24-160808	2	Cap., Electrolytic, 800uf, 16V
29	24-250106	3	" " " " 10uf 25V
30	24-250108	1	" " " " 1000uf 25V
31	24-250227	1	" " " " 220uf 25V
32	24-250478	1	" " " " 4700uf 25V
33			
34			
35	27-250102	1	Cap., Ceramic Disc, .001uf, 25V
36	27-250103	4	" " " " .01uf 25V
37	27-250104	37	" " " " .1uf 25V
38	27-250224	1	" " " " .22uf 25V
39			
40	28-101101	1	Cap., Dipped Mica, 100pf, 100V
41	28-101221	1	" " " " 220pf 100V
42			
43			
44			
45			
46	31-814F	2	Diode, 814F
47	31-28750	2	Diode, 28750
48	31-10914	2	Diode, 1N914
49			
50			
51	33-203644	1	Transistor, 2N3644
52			
53	34-286044	1	Transistor, 2N6044
54			
55			
56			
57	37-7400	2	Integrated Circuit, 7400
58	37-7402	1	" " " " 7402
59	37-7404	6	" " " " 7404



Figure 13 Sprint One PCB Assembly  
Parts List  
-02 Version

Item	Part Number	Qty.	Description	Item	Part Number	Qty.	Description
60	37-7408	5	Integrated Circuit 7408 B2,C2,N3,C5,A6	95			
61	37-7410	1	7410 R7	96	62-001	1	Switch, SRST Momentary SM3
62	37-7414	2	7414 A5,I9	98			
63	37-7420	1	7420 A8	99	66-1188JT	1	Switch, SRST, M8, DIP SM1
64	37-7430	1	7430 N4	100			
65	37-7432	5	7432 D2,I2,F3,F6,J8	101			
66	37-7437	1	7437 R9	102	75-1609C	2	Screw, Pan Hd., Phil., 6-32 x 1/2, CRCS
67	37-7474	2	7474 R1,W9	104	75-016	2	Washer, Flat #6
68	37-7487	1	7487 B8	105	75-056	2	Washer, Lock, Int. Star, #6
69	37-7475	2	7475 C4,D1	106	75-016C	2	Nut, Hex, M6-32 CRCS
70	37-7483	2	7483 J4,M4	107			
71	37-7486	1	7486 C7	108			
72	37-7490	1	7490 C6/7	109	78-06001	1	NEALSINK, (M8/2)
73	17-7492	1	7492 O8	110	78-06009	1	SOCKET, (TDA1004)
74	37-9312	1	9312 H6	111	78-18016	A/R	COMPACT, (TDA1004 HEATSINK)
75	37-74153	1	74153 M6	112	78-10085	1	SLIPAD (M8/2)
76	17-74156	1	74156 J9	113			
77	37-74251K5	6	74251K5 B5,B9,B9, W6,Z6,M4	114			
78	37-74164	7	74164 B7,D7	115			
79	37-74251G5	6	74251G5 N7,A7,J7,K7,L7,M7	116			
80	37-74166	1	74166 R3	117			
81	37-74174	3	74174 P5,L5,A7	118			
82	37-74175	1	74175 N2	119	79-42000	2	SOCKET, 4P PIN, Med Insertion C3
83	37-74279	1	74279 H8	120			
84	37-9301	5	9301 D2,F2,F7,H8,K8	121			
85	17-8316	5	8316 R2,L2,M3,H8,J8	122			
86	37-9332	1	9332 H5,J2,K2	123	90-102	1	CRP-01 12/096 V1
87	37-9334	1	9334 HR	124			
88	37-8455	1	8455 D7/8	125			
89	37-74367	4	74367 S5,K5,R6	126			
90	90-7020	8	21107A P3,H3,J3,F3,K4,M4,Q4, K4	127			
91	37-1M723	1	LM723	128			
92	37-70A1004	1	Regulator TDA1004 D0	129			
93			OP-AMP	130			



Figure 13 Sprint One PCB Assembly  
Parts List  
-02 Version

Item	Part Number	Qty.	Description
131			
132			
133			
134			
135			
136			
137			
138			
139			
140			
141			
142			
143			
144			
145			
146			
147	006398-01	1	Sprint Character Prom LSB
148	006397-01	1	Sprint Character Prom MSB
149			
150			
151	006398-01	1	Sprint Race Car Prom LSR
152	006399-01	1	Sprint Race Car Prom MSB
153			
154			
155	006400-01	1	Sprint Sync Prom
156			
157	006401-01	1	Sprint Address Decoder Prom
158			
159			
160			
161			
162			
163	006442-01	1	Sprint I Program Rom 1
164	006443-01	1	Sprint I Program Rom 2
165			
166			

ATARI CORPORATION

Item	Part Number	Qty.	Description
167	006290-01	1	Sprint Race Trak Rom 1
168	006291-01	1	Sprint Race Trak Rom 2
169	90-6010	1	Integrated Circuit

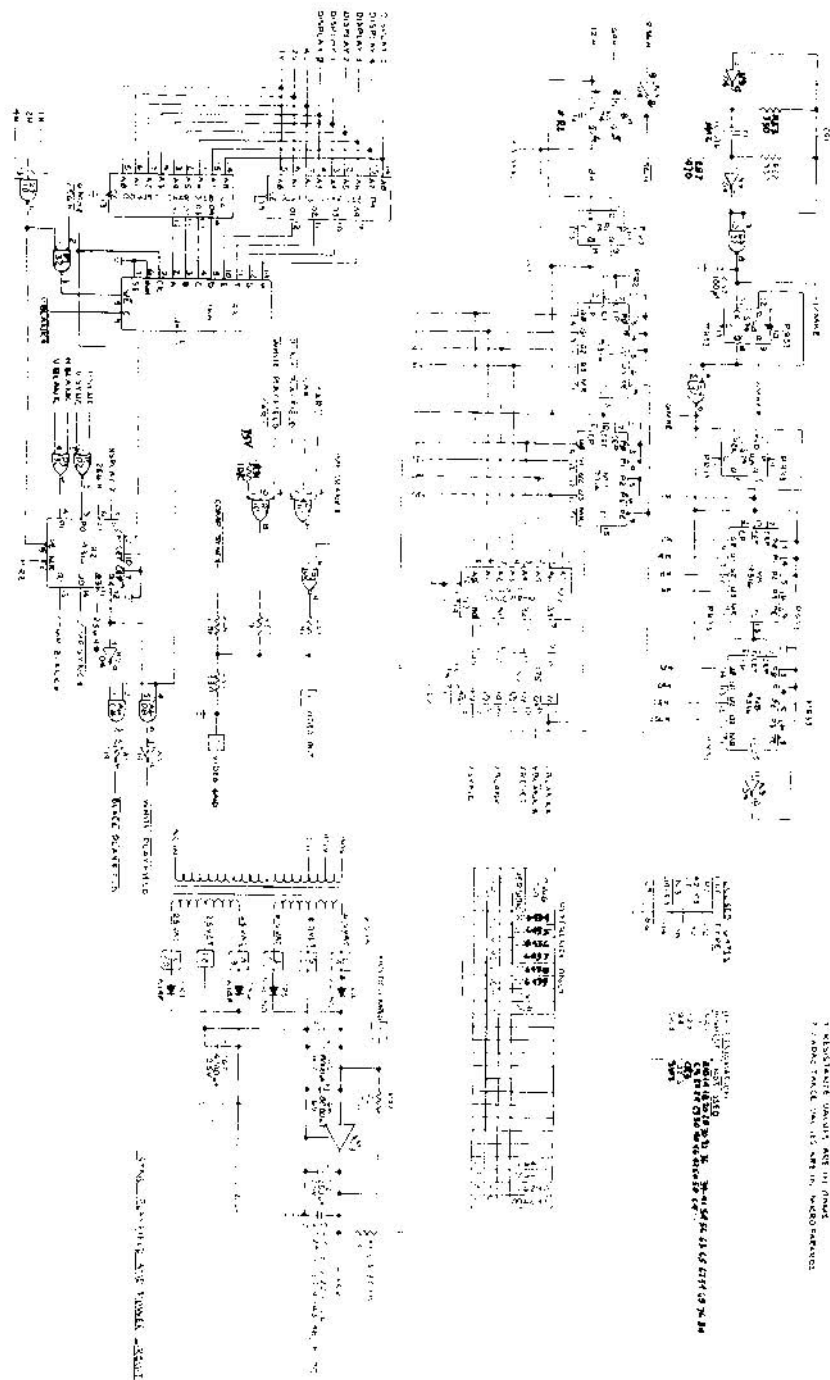


Figure 14 PCB Schematic Diagram Sheet 1 of 5

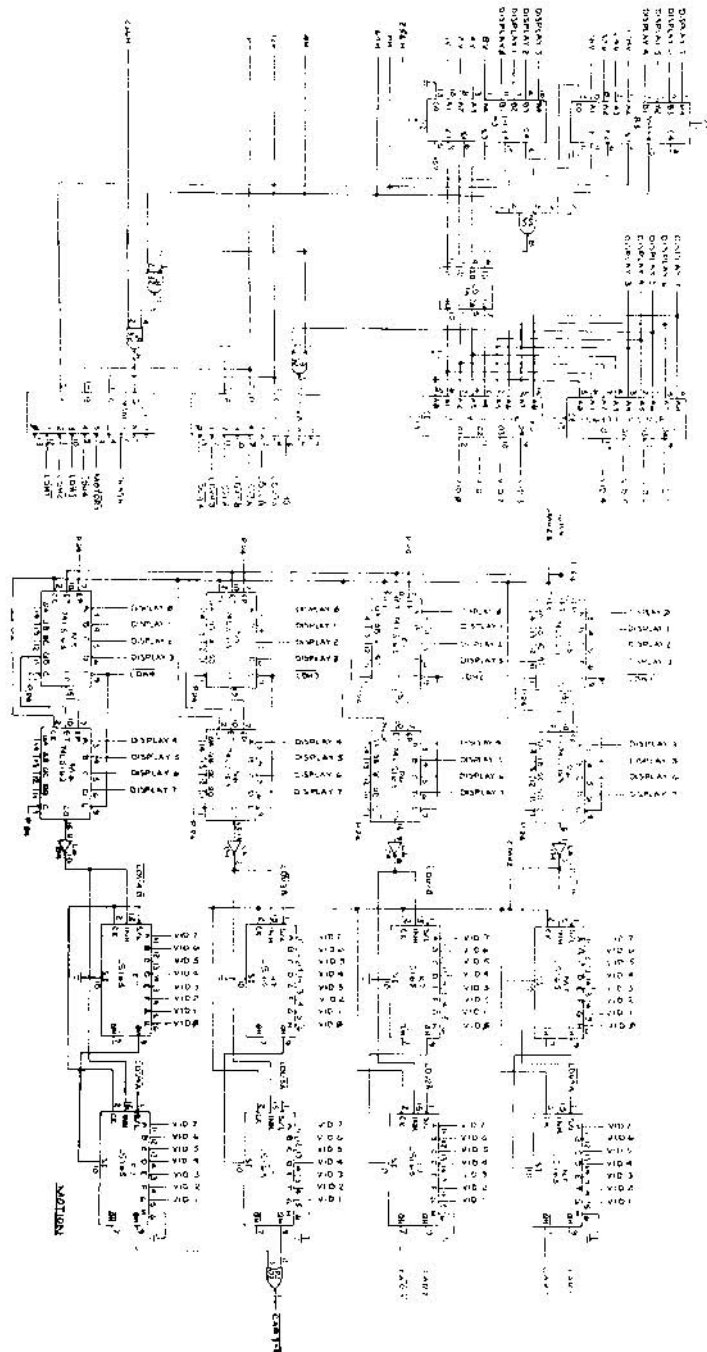


Figure 14 PCB Schematic Diagram  
Sheet 2 of 5



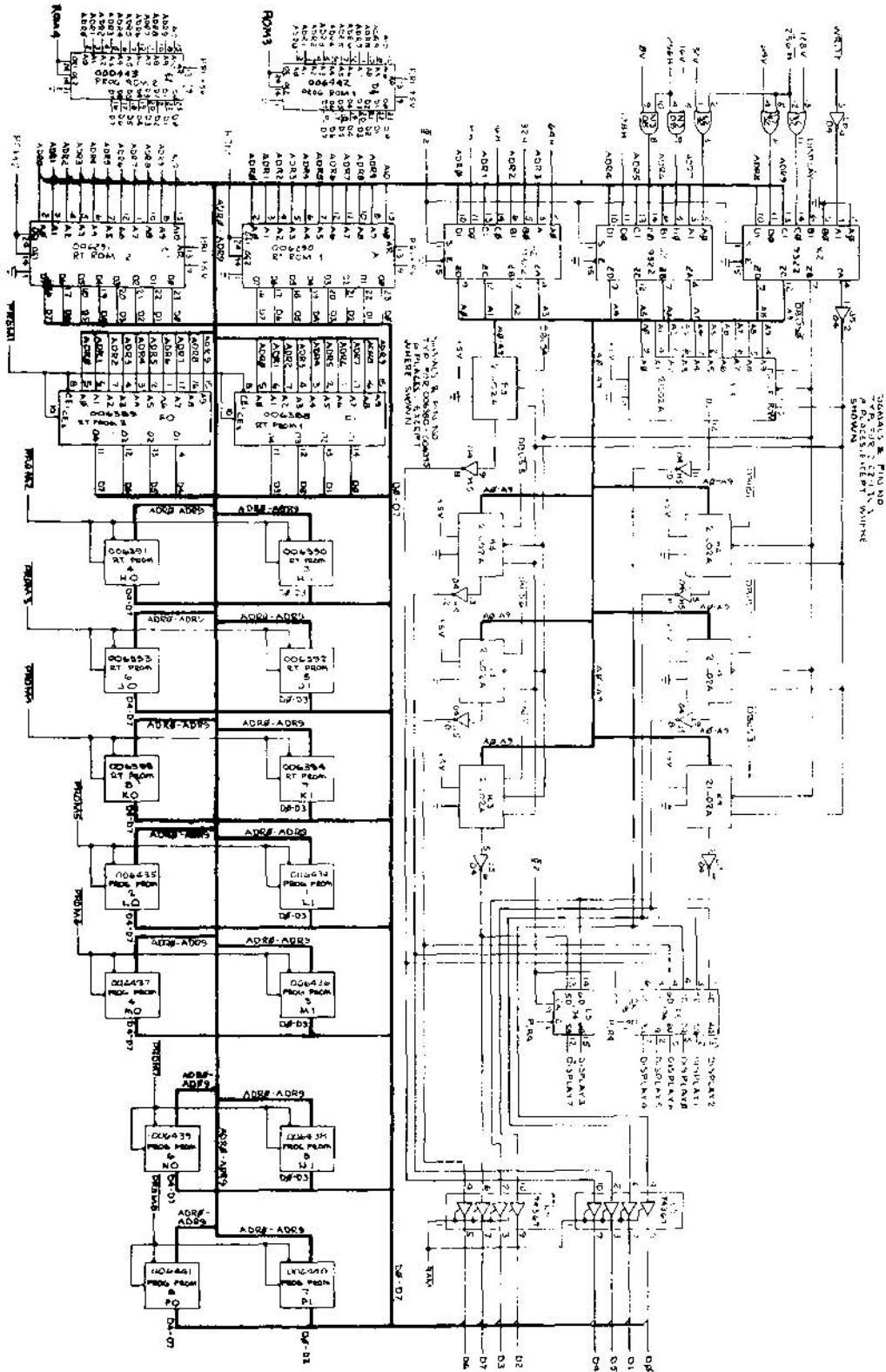


Figure 14 PCB Schematic Diagram Sheet 3 of 5

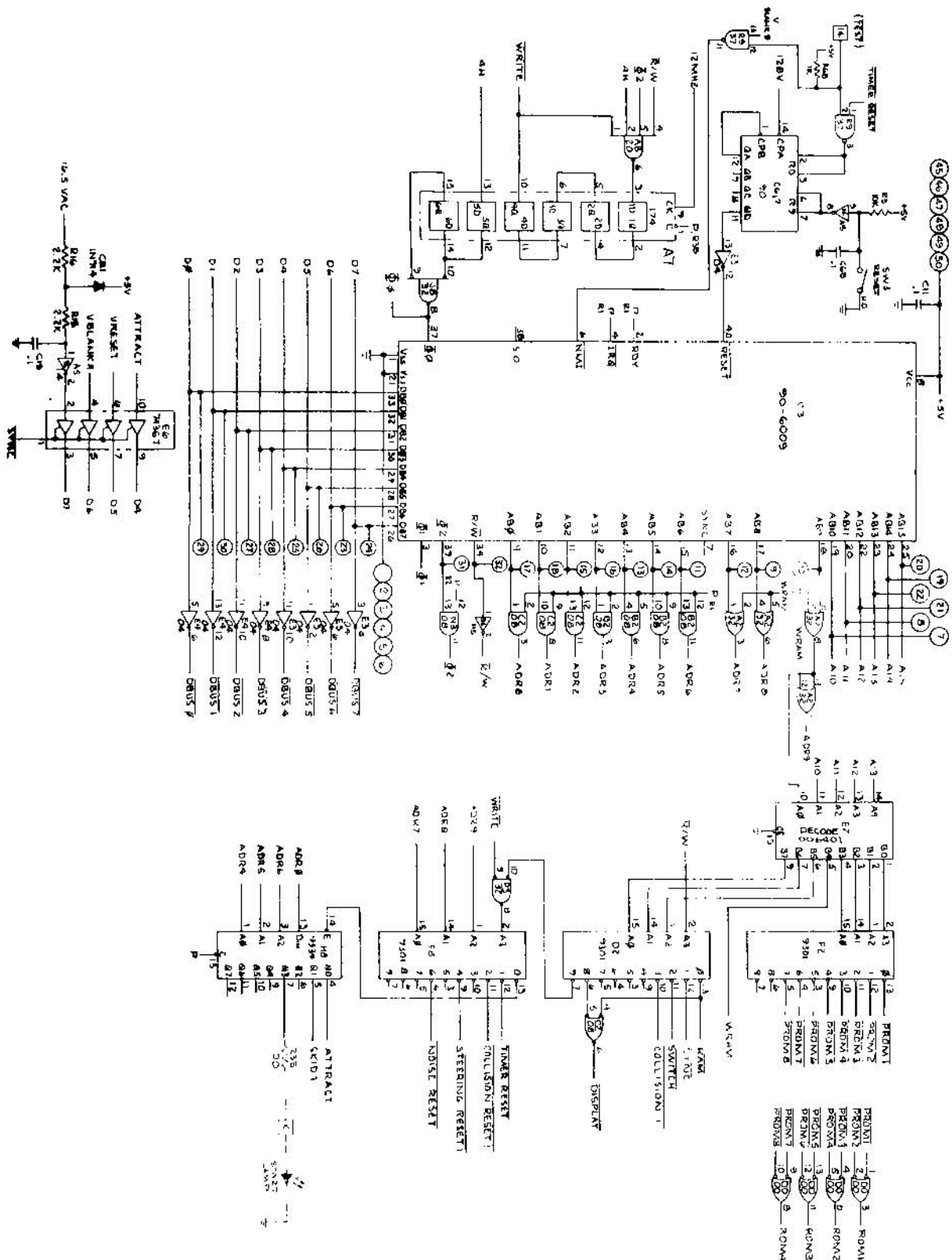


Figure 14 PCB Schematic Diagram  
Sheet 4 of 5

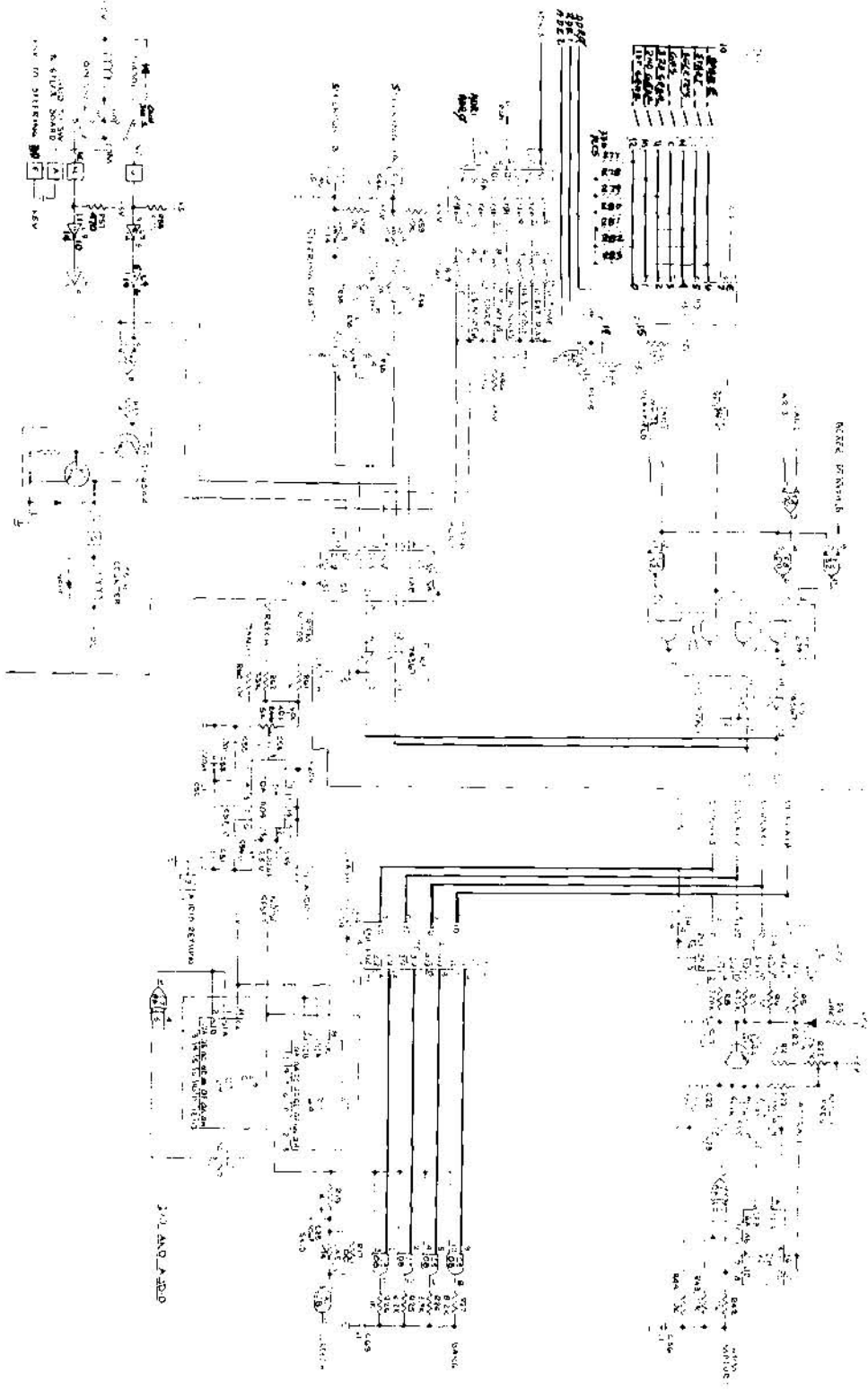


Figure 14 PCB Schematic Diagram  
Sheet 5 of 5

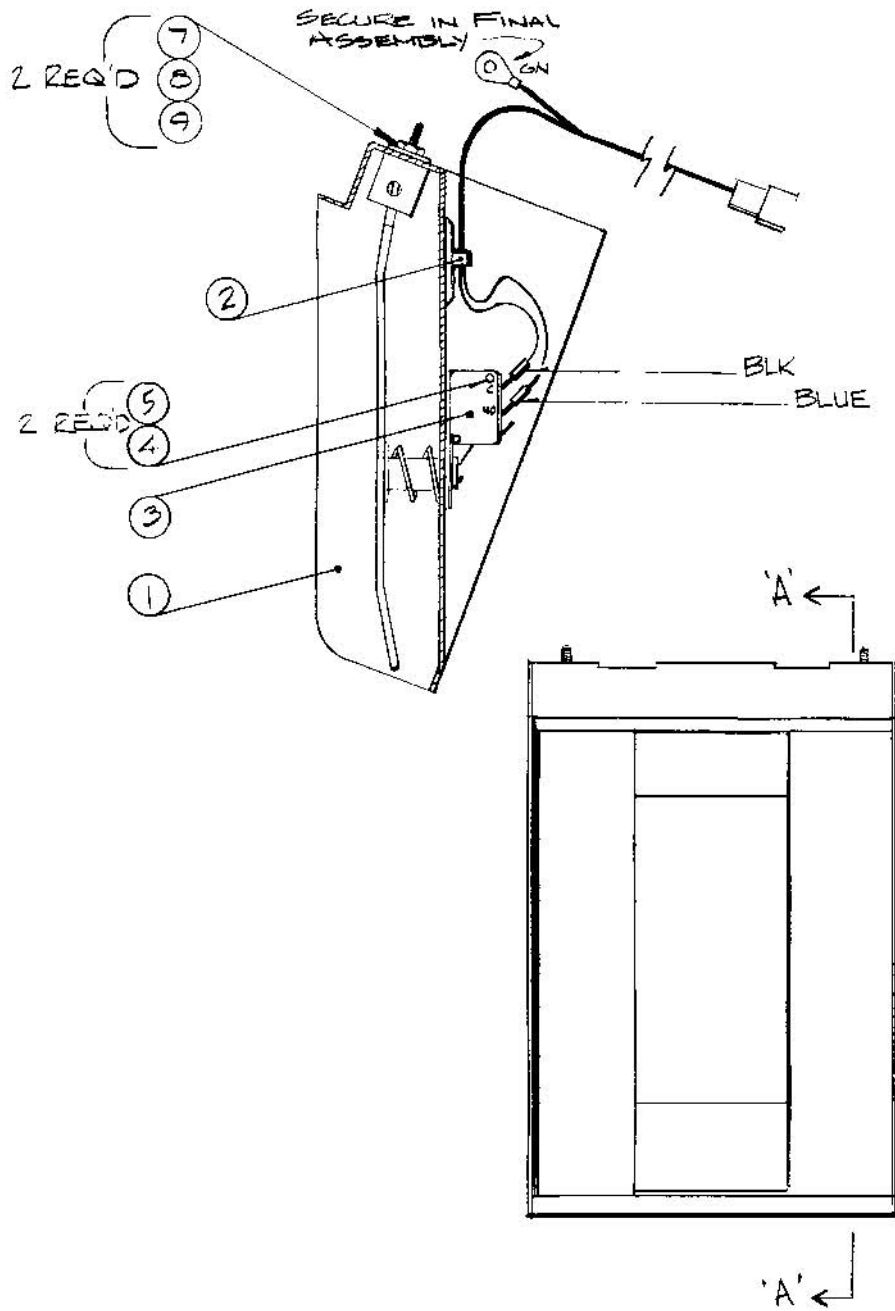


Figure 15 Single Foot Pedal Assembly  
 With Harness Assembly  
 A008845-01 C



Figure 15 Single Foot Pedal Assembly  
With Harness Assembly  
Parts List

Item	Part Number	Qty.	Description
1	A007183-01	1	Foot Pedal Assembly
2	A008955-01	1	Harness Assembly, Foot Pedal
3	A009804-01	1	Assy, Micro Switch & Bracket
4	75-046	2	Lock Washer #6
5	75-916S	2	Nut, Hex, #6-32
6			
7	75-043	2	Washer, Split-Lock, 5/16"
8	75-915S	2	1/4"-20 Hex Nut
9	75-5524B	2	Carriage Bolt, Blk, 1/4"-20 x 1.50"