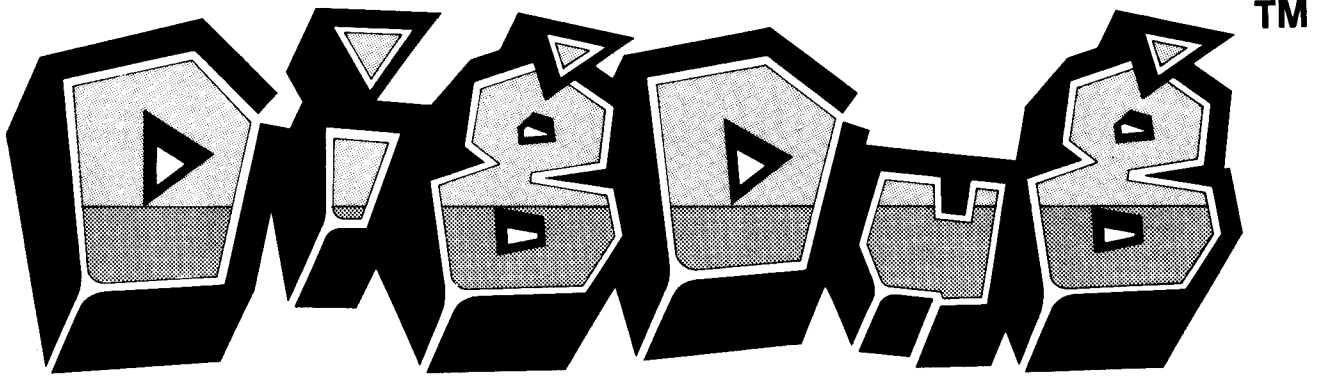
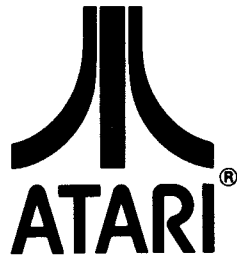



# Schematic Package Supplement to



## Operation, Maintenance and Service Manual



 A Warner Communications Company

© ATARI INC. 1982

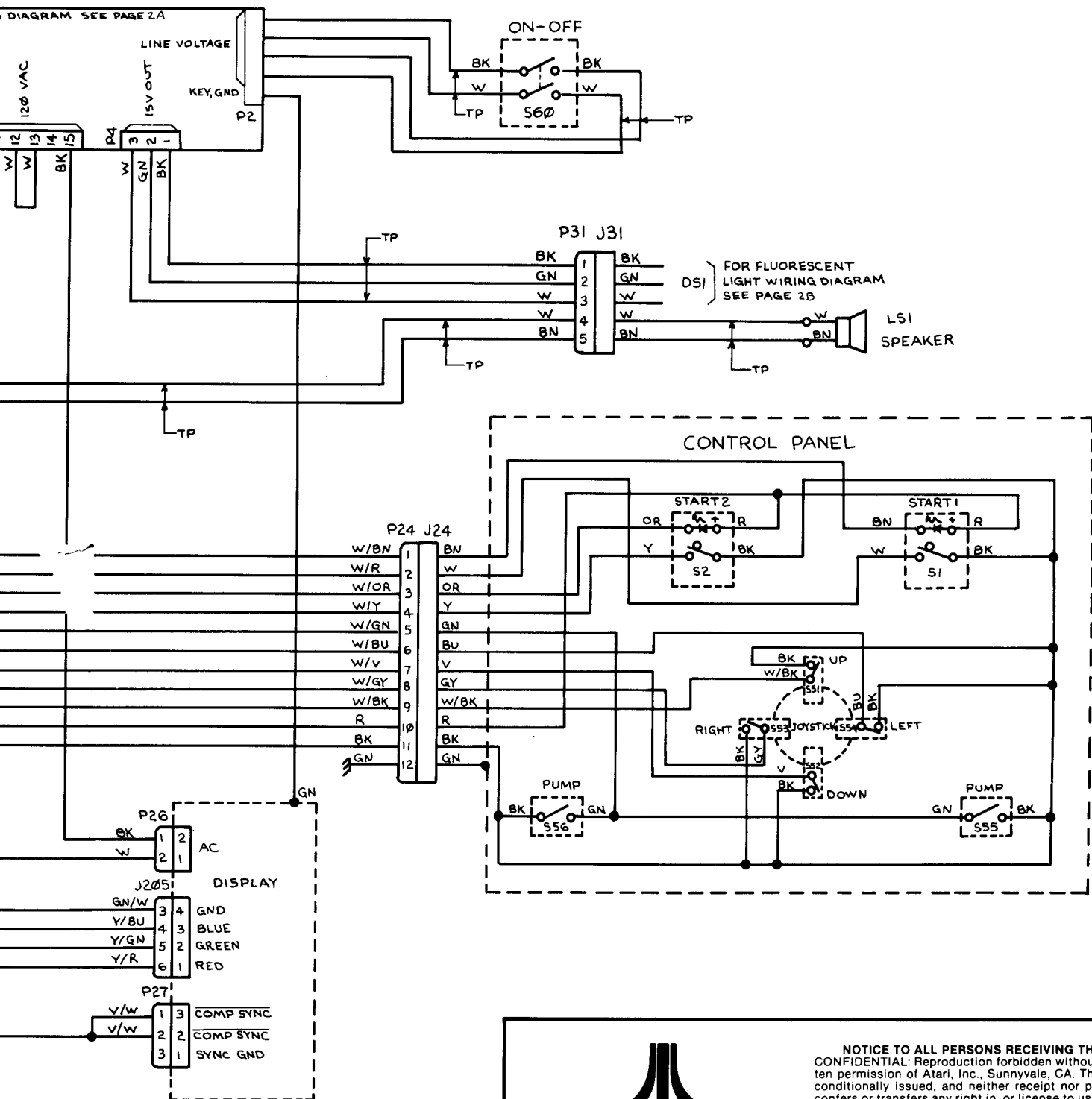
# Table of Contents

- Sheet 1A You Are Here
- Sheet 1B Dig Dug Upright Wiring Diagram (038294-01 A)
- Sheet 2A Color Raster-Scan Power Supply Wiring Diagram (037669-01 C)  
Regulator/Audio II PCB Schematic Diagram (035435-05 A)
- Sheet 2B Coin Door Wiring Diagram (037542-01 A)  
Utility Panel Wiring Diagram (038004-01 A)  
Fluorescent Light and Speaker Wiring Diagram (035833-01 A)

## *Game PCB Schematics, Sheets 3A—8A*

- Sheet 3A CPU PCB Power Input, Clock, NMI, Watchdog, and Memory Map
- Sheet 3B 1st Priority CPU, 2nd Priority CPU
- Sheet 4A 3rd Priority CPU, CPU PCB Address Decoder
- Sheet 4B Switch Inputs, Coin Door and Control Panel Outputs
- Sheet 5A Audio Output
- Sheet 5B Sync Generator
- Sheet 6A Playfield Generator
- Sheet 6B Motion Object RAM, Motion Object Address Generator, Decoder and Match Line Flag
- Sheet 7A Motion Object Generator
- Sheet 7B Video Output, Video Color Controller
- Sheet 8A High-Score Table
- Sheet 8B Electrohome 19-Inch Color Raster-Scan Video Display Schematic Diagram

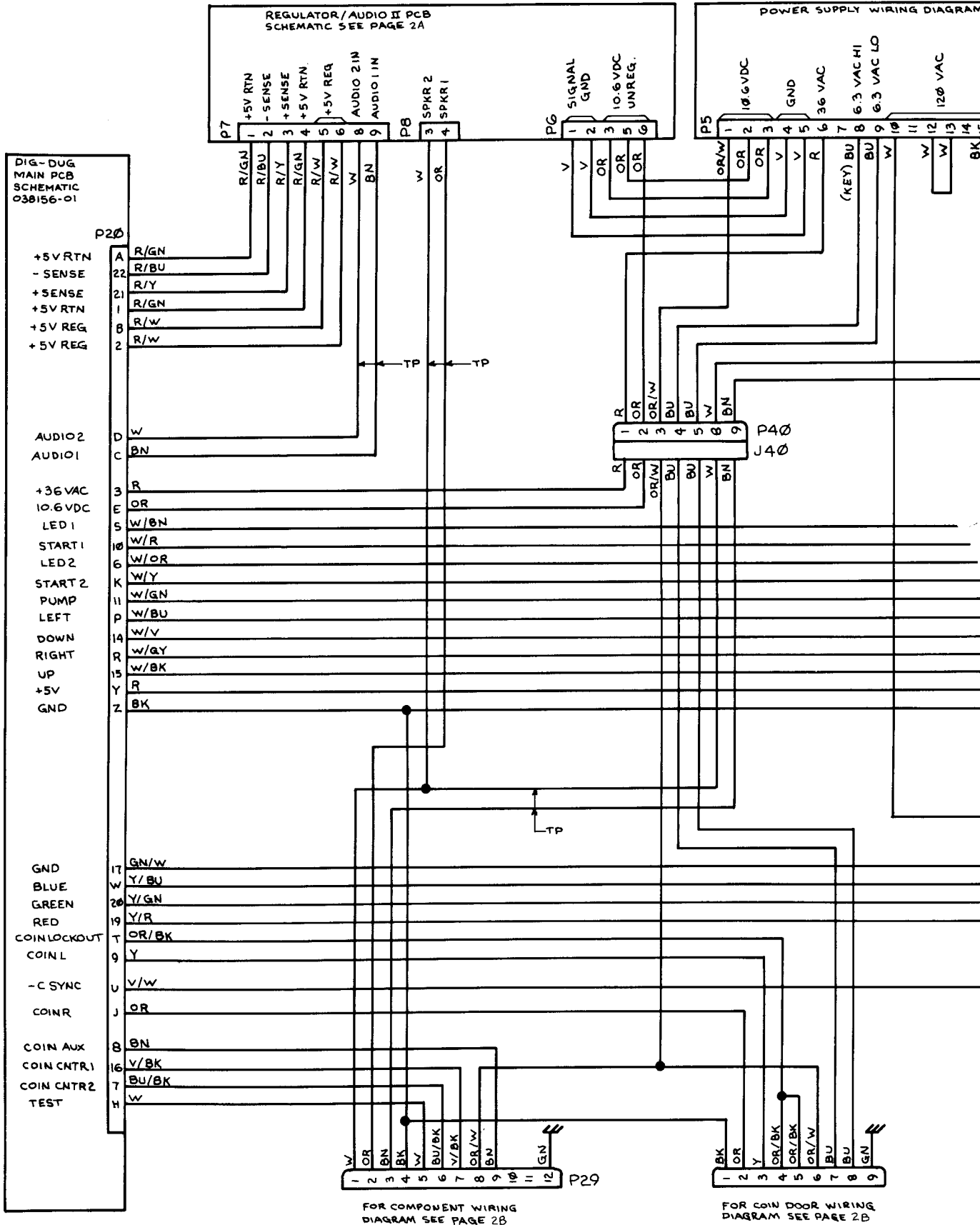
**NOTE**  
This staple temporarily holds the schematic package together. Remove the staple before using the schematics.



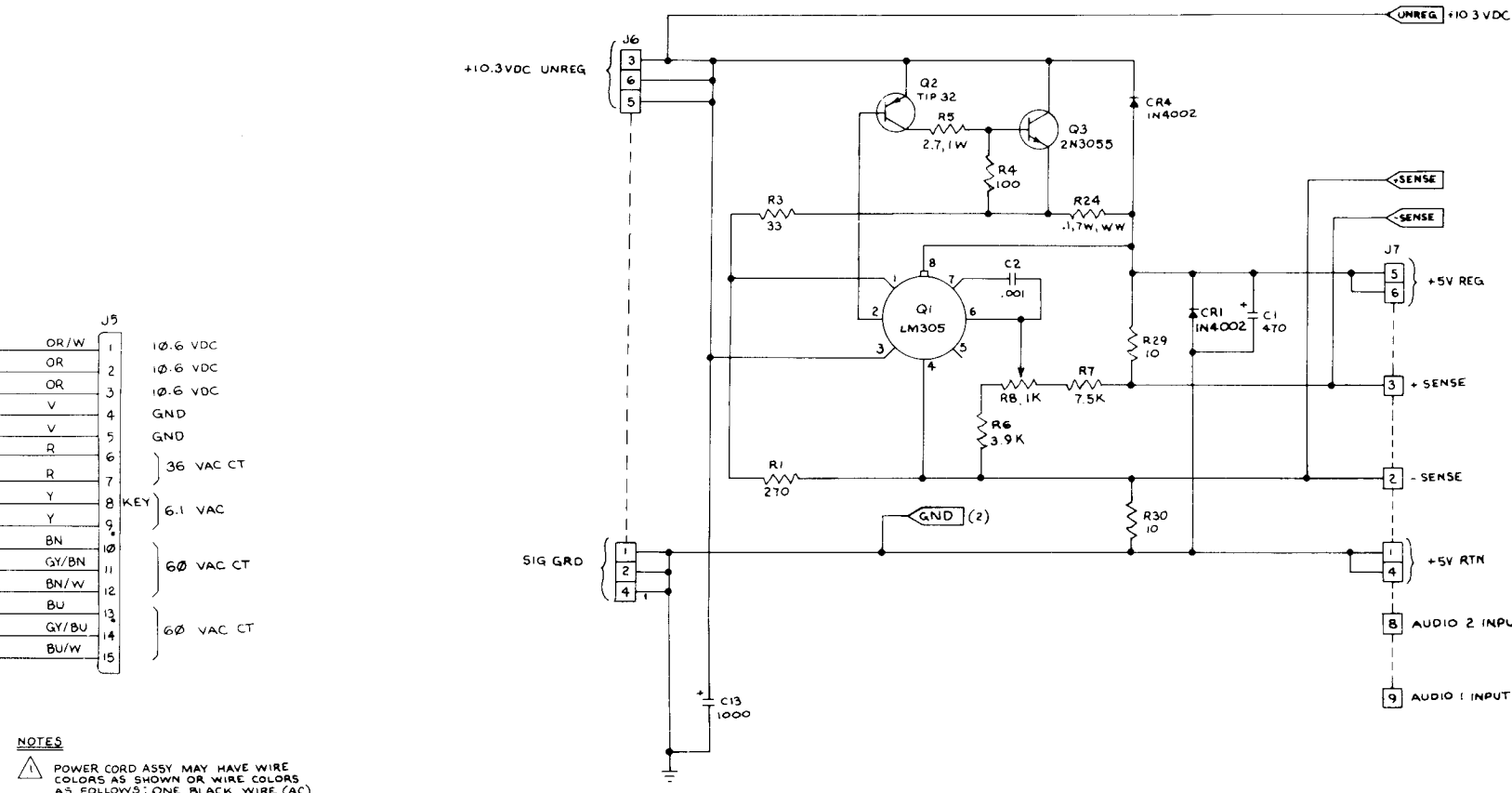
**NOTICE TO ALL PERSONS RECEIVING THIS DRAWING**  
 CONFIDENTIAL: Reproduction forbidden without the specific written permission of Atari, Inc., Sunnyvale, CA. This drawing is only conditionally issued, and neither receipt nor possession thereof confers or transfers any right in, or license to use, the subject matter of the drawing or any design or technical information shown thereon, nor any right to reproduce this drawing or any part thereof. Except for manufacture by vendors of Atari, Inc., and for manufacture under the corporation's written license, no right is granted to reproduce this drawing or the subject matter thereof, unless by written agreement with or written permission from the corporation.

### Dig Dug Game Wiring Diagram

# Dig Dug Upright Game Wiring Diagram



# Regulator/Audio II PCB Schematic Diagram




J5	Wire Color	Value
1	OR/W	10.6 VDC
2	OR	10.6 VDC
3	OR	10.6 VDC
4	V	GND
5	V	GND
6	R	36 VAC CT
7	R	
8	Y	6.1 VAC
9	Y	
10	BN	60 VAC CT
11	GY/BN	
12	BN/W	60 VAC CT
13	BU	
14	GY/BU	
15	BU/W	

- NOTES**
- ⚠ POWER CORD ASSY MAY HAVE WIRE COLORS AS SHOWN OR WIRE COLORS AS FOLLOWS: ONE BLACK WIRE (AC), ONE GREEN WIRE (GND) AND ONE WHITE WIRE (NEUTRAL)
  - ⚠ USE 4AMP, 50 250V FUSE AT F1 WITH 220V & 240V (EUROPEAN ONLY)



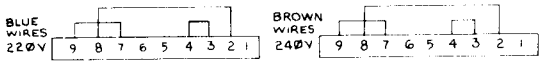
**NOTICE TO ALL PERSONS RECEIVING THIS DRAWING**  
 CONFIDENTIAL: Reproduction forbidden without the specific written permission of Atari, Inc., Sunnyvale, CA. This drawing is only conditionally issued, and neither receipt nor possession thereof confers or transfers any right in, or license to use, the subject matter of the drawing or any design or technical information shown thereon, nor any right to reproduce this drawing or any part thereof. Except for manufacture by vendors of Atari, Inc., and for manufacture under the corporation's written license, no right is granted to reproduce this drawing or the subject matter thereof, unless by written agreement with or written permission from the corporation.

## Dig Dug Power Supply and Reg./Audio II PCB

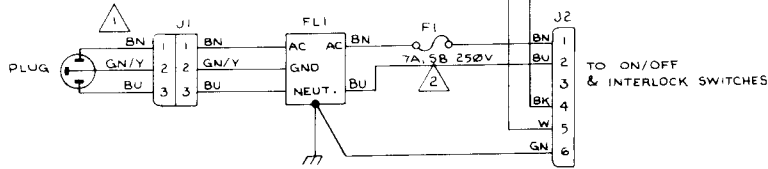
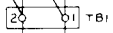
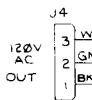
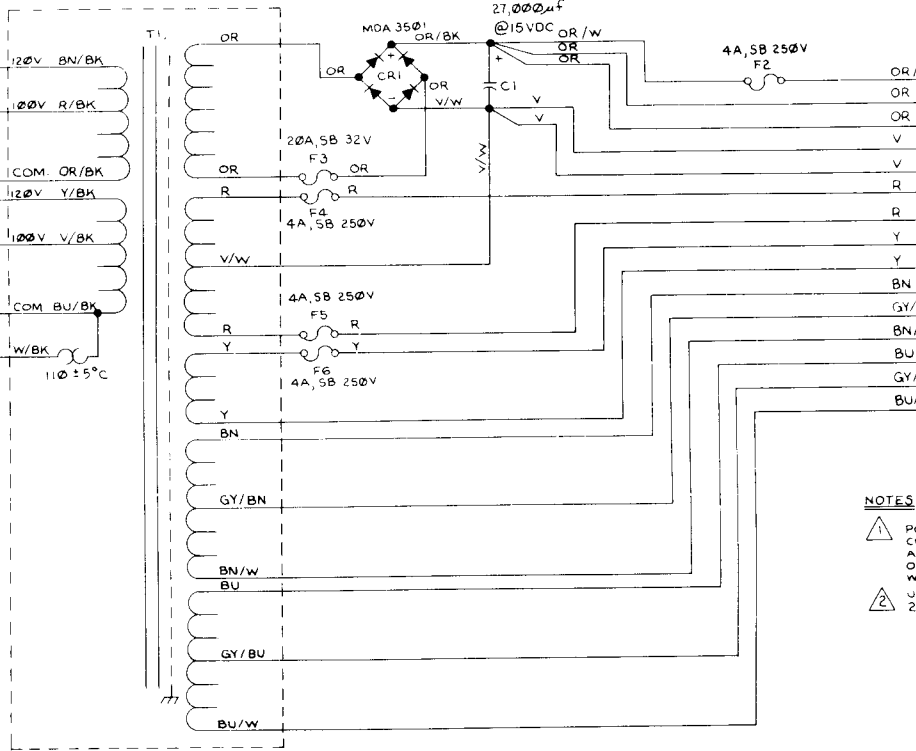
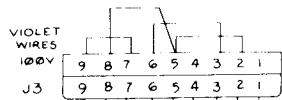
© ATARI INC., 1982  
 A Warner Communications Company

SP-203 Sheet 2A  
 1st printing 3L

# Color Raster Power Supply Wiring Diagram

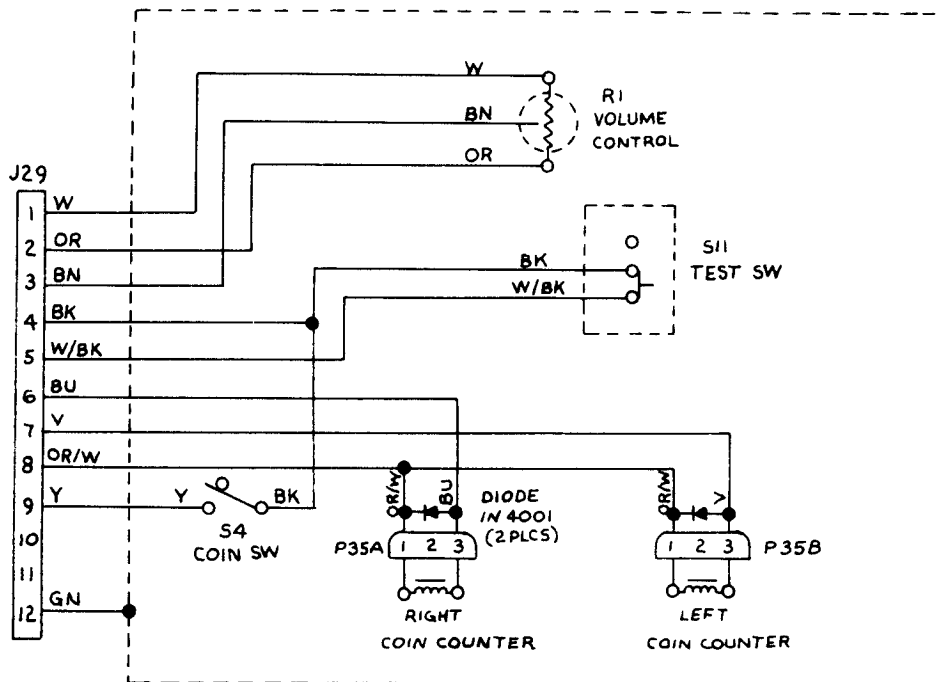


VOLTAGE SELECTION BLOCKS

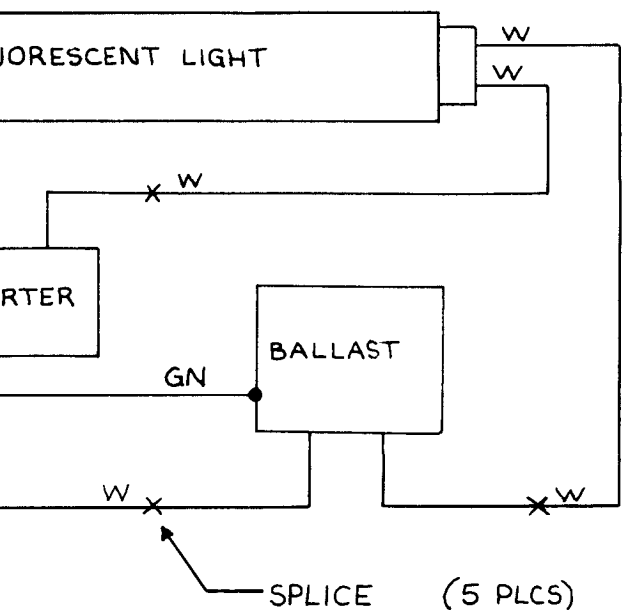


- NOTES**
- △ PC
  - △ CC
  - △ A:
  - △ ON
  - △ W:
  - △ US
  - △ 2:

## Utility Panel Wiring Diagram



## And Speaker Wiring Diagram



**NOTICE TO ALL PERSONS RECEIVING THIS DRAWING**  
 CONFIDENTIAL: Reproduction forbidden without the specific written permission of Atari, Inc., Sunnyvale, CA. This drawing is only conditionally issued, and neither receipt nor possession thereof confers or transfers any right in, or license to use, the subject matter of the drawing or any design or technical information shown thereon, nor any right to reproduce this drawing or any part thereof. Except for manufacture by vendors of Atari, Inc., and for manufacture under the corporation's written license, no right is granted to reproduce this drawing or the subject matter thereof, unless by written agreement with or written permission from the corporation.

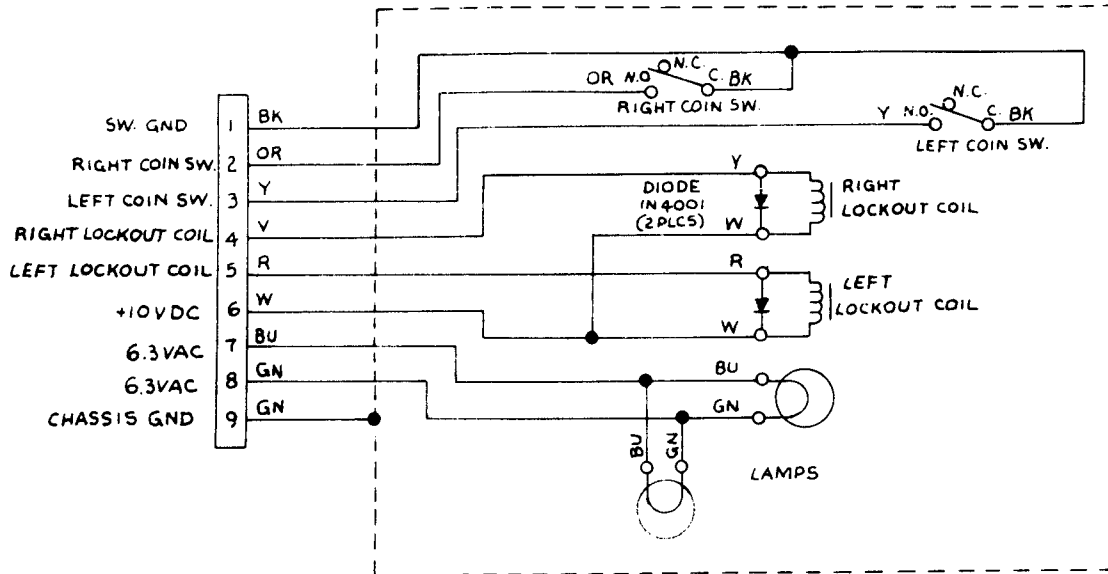
## Dig Dug Game Wiring Interfaces

© ATARI INC., 1982

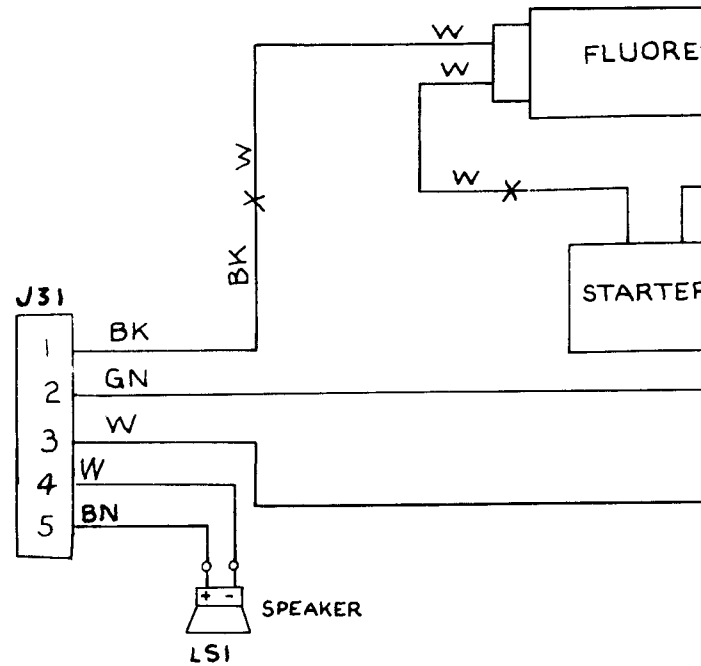
A Warner Communications Company

SP-203 Sheet 2B  
 1st printing 3L

## Coin Door Wiring Diagram



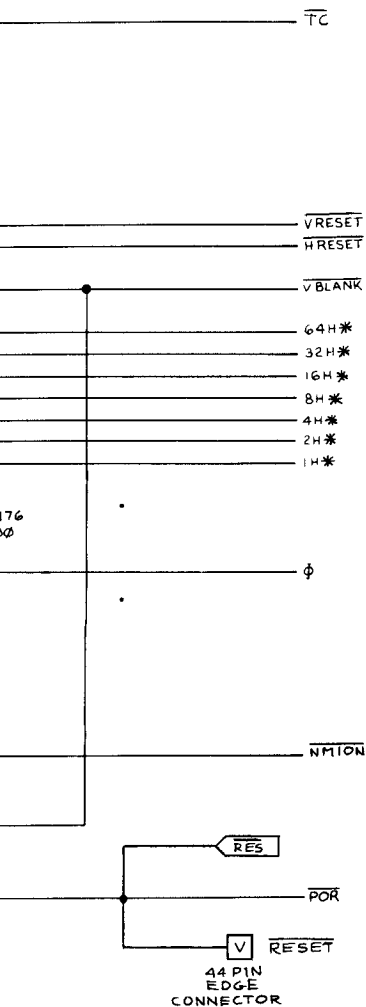
## Fluorescent Light An





## MEMORY MAP

HEXA-DECIMAL ADDRESS	R/W	DATA								FUNCTION
		D7	D6	D5	D4	D3	D2	D1	D0	
0000-3FFF	R	D	D	D	D	D	D	D	D	1st Priority Z80 CPU ROM (16K)
0000-1FFF	R	D	D	D	D	D	D	D	D	2nd Priority Z80 CPU ROM (8K)
0000-0FFF	R	D	D	D	D	D	D	D	D	3rd Priority Z80 CPU ROM (4K)
6800-680F	W					D	D	D	D	Audio Control
6810-681F	W					D	D	D	D	Audio Control
6820	W								D	0 = Reset IRQ1 (Latched)
6821	W								D	0 = Reset IRQ2 (Latched)
6822	W								D	0 = Enable NMI3 (Latched)
6823	W								D	0 = Reset 2nd and 3rd Z80 CPUs (Latched)
6825	W								D	Custom Chip 53 Mode Control (Latched)
6826	W								D	Custom Chip 53 Mode Control (Latched)
6827	W								D	Custom Chip 53 Mode Control (Latched)
6830	W									Watchdog Reset
7000	R/W	D	D	D	D	D	D	D	D	Custom Chip 06—Data
7100	R/W	D	D	D	D	D	D	D	D	Custom Chip 06—Command
8000-87FF	R/W	D	D	D	D	D	D	D		2K Playfield RAM
8800-8BFF	R/W	D	D	D	D	D	D	D	D	1K Motion RAM (PIC)
9000-93FF	R/W	D	D	D	D	D	D	D	D	1K Motion RAM (HPOS, VPOS)
9800-9BFF	R/W	D	D	D	D	D	D	D	D	1K Motion RAM (FLIP)
A000	W								D	Playfield Select (Latched)
A001	W								D	Playfield Select (Latched)
A002	W								D	Playfield Color Select (Latched)
A003	W								D	Alphanumeric Color Select (Latched)
A004	W								D	Playfield Color Select (Latched)
A005	W								D	Playfield Color Select (Latched)
A007	W								D	Flip Video
B800-B83F	W	D	D	D	D	D	D	D	D	Write EAROM Address and Data
B800	R	D	D	D	D	D	D	D	D	Read EAROM Data
B840	W					D	D	D	D	Write EAROM Control



**NOTICE TO ALL PERSONS RECEIVING THIS DRAWING**  
 CONFIDENTIAL: Reproduction forbidden without the specific written permission of Atari, Inc., Sunnyvale, CA. This drawing is only conditionally issued, and neither receipt nor possession thereof confers or transfers any right in, or license to use, the subject matter of the drawing or any design or technical information shown thereon, nor any right to reproduce this drawing or any part thereof. Except for manufacture by vendors of Atari, Inc., and for manufacture under the corporation's written license, no right is granted to reproduce this drawing or the subject matter thereof, unless by written agreement with or written permission from the corporation.

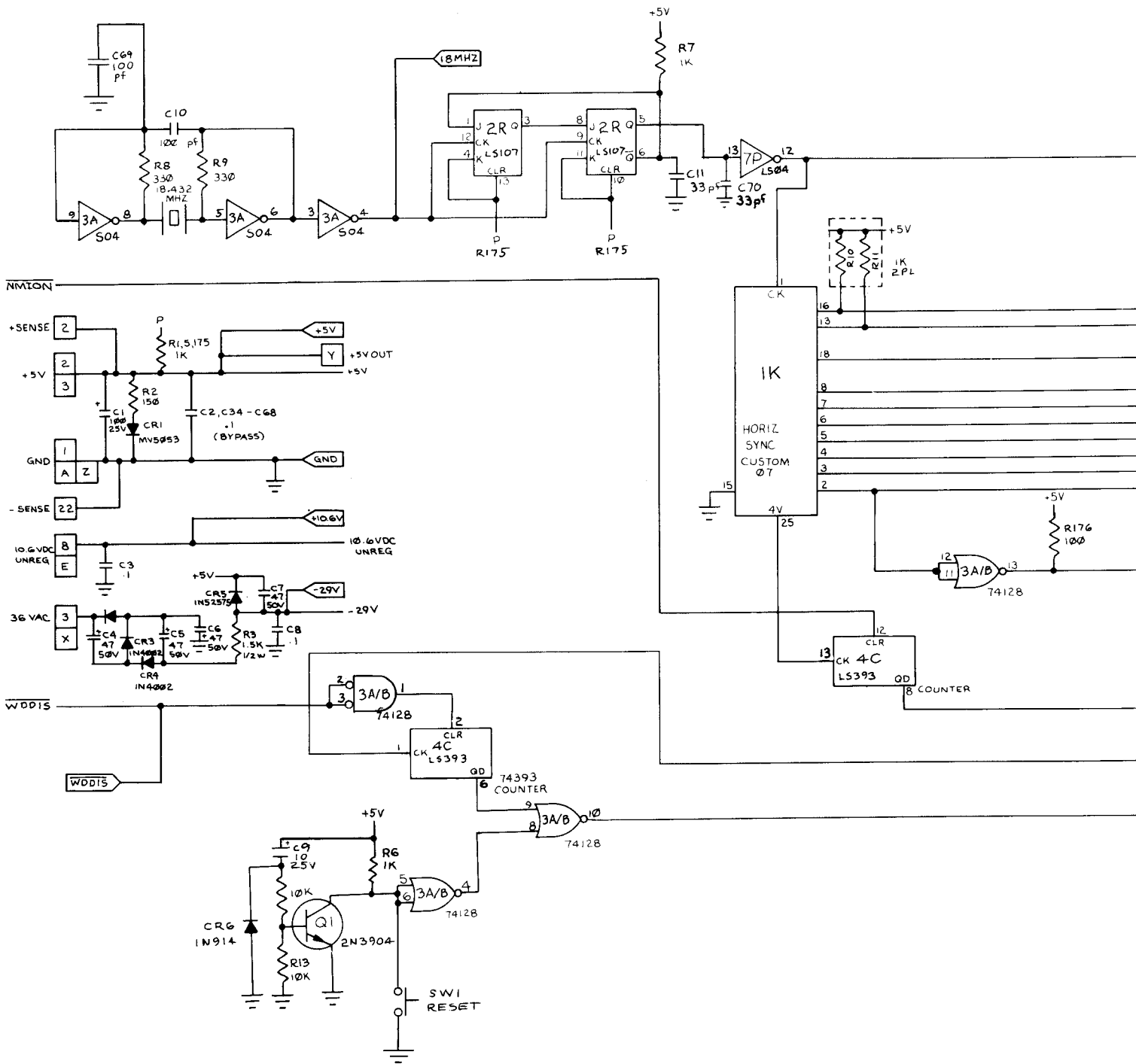
### Dig Dug CPU PCB Schematic Diagram:

© ATARI INC., 1982

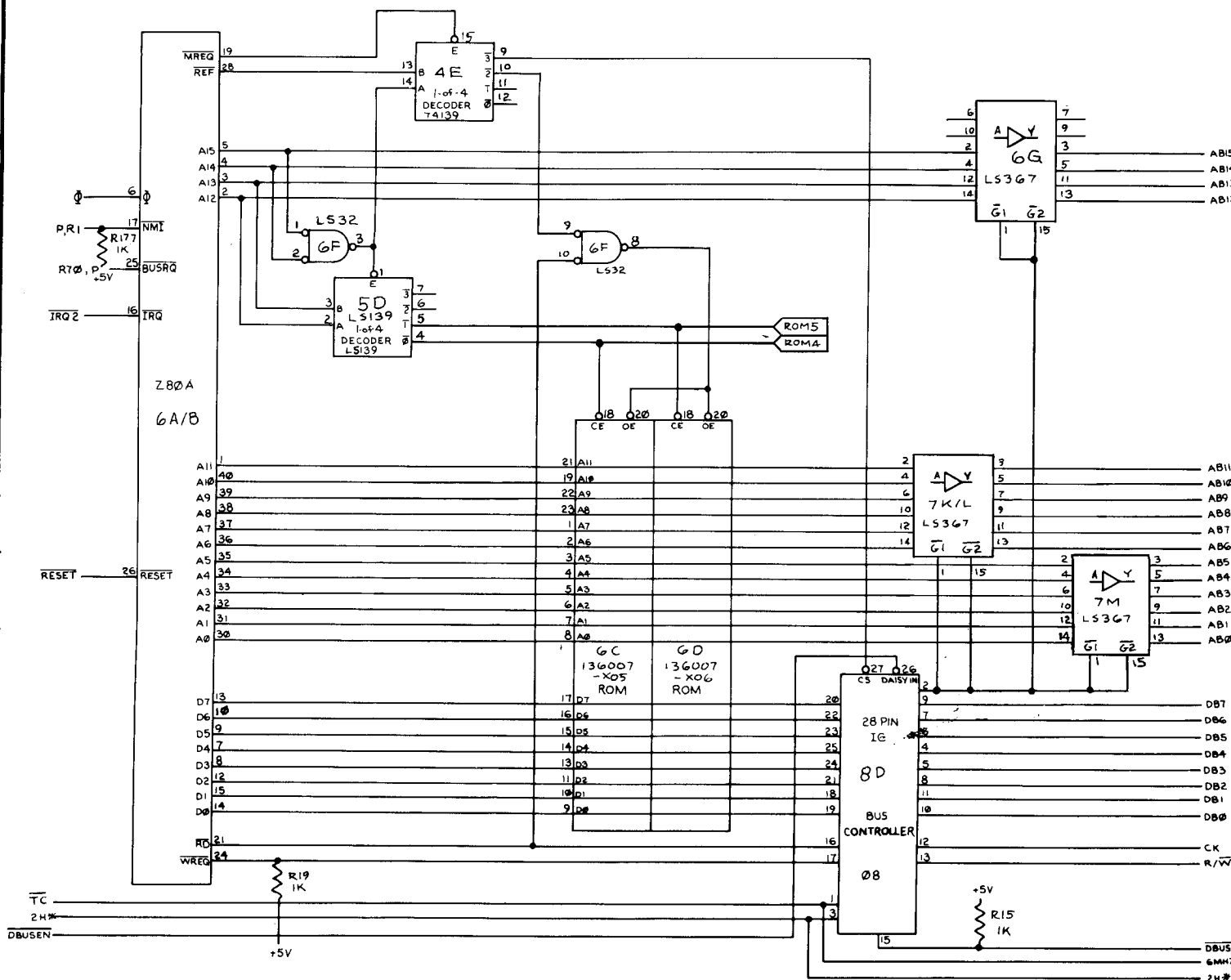
A Warner Communications Company

SP-203 Sheet 3A  
1st printing 3L

# CPU PCB Power Input, Clock, NMI, and Watchdog



# 2nd Priority CPU



**NOTICE TO ALL PERSONS RECEIVING THIS DRAWING**  
 CONFIDENTIAL: Reproduction forbidden without the specific written permission of Atari, Inc., Sunnyvale, CA. This drawing is only conditionally issued, and neither receipt nor possession thereof confers or transfers any right in, or license to use, the subject matter of the drawing or any design or technical information shown thereon, nor any right to reproduce this drawing or any part thereof. Except for manufacture by vendors of Atari, Inc., and for manufacture under the corporation's written license, no right is granted to reproduce this drawing or the subject matter thereof, unless by written agreement with or written permission from the corporation.

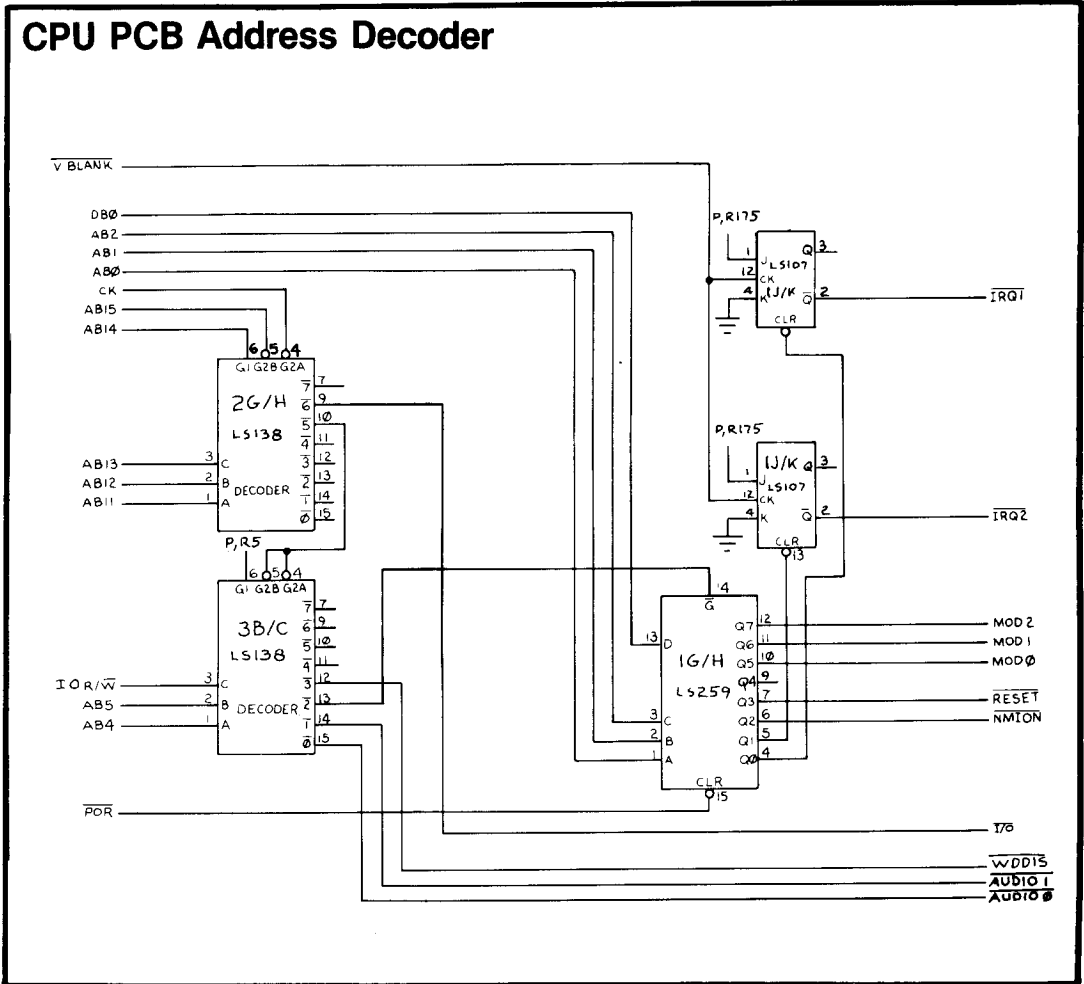
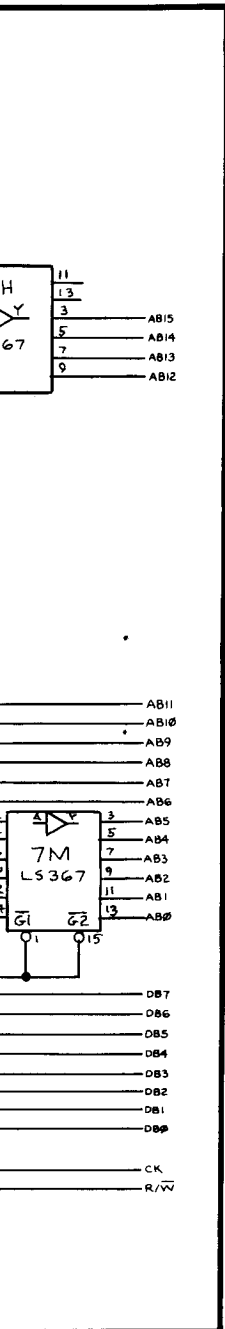
## Dig Dug CPU PCB Schematic Diagram

© ATARI INC., 1982

A Warner Communications Company

SP-203 Sheet 3B  
 1st printing 3L





**NOTICE TO ALL PERSONS RECEIVING THIS DRAWING**  
 CONFIDENTIAL: Reproduction forbidden without the specific written permission of Atari, Inc., Sunnyvale, CA. This drawing is only conditionally issued, and neither receipt nor possession thereof confers or transfers any right in, or license to use, the subject matter of the drawing or any design or technical information shown thereon, nor any right to reproduce this drawing or any part thereof. Except for manufacture by vendors of Atari, Inc., and for manufacture under the corporation's written license, no right is granted to reproduce this drawing or the subject matter thereof, unless by written agreement with or written permission from the corporation.

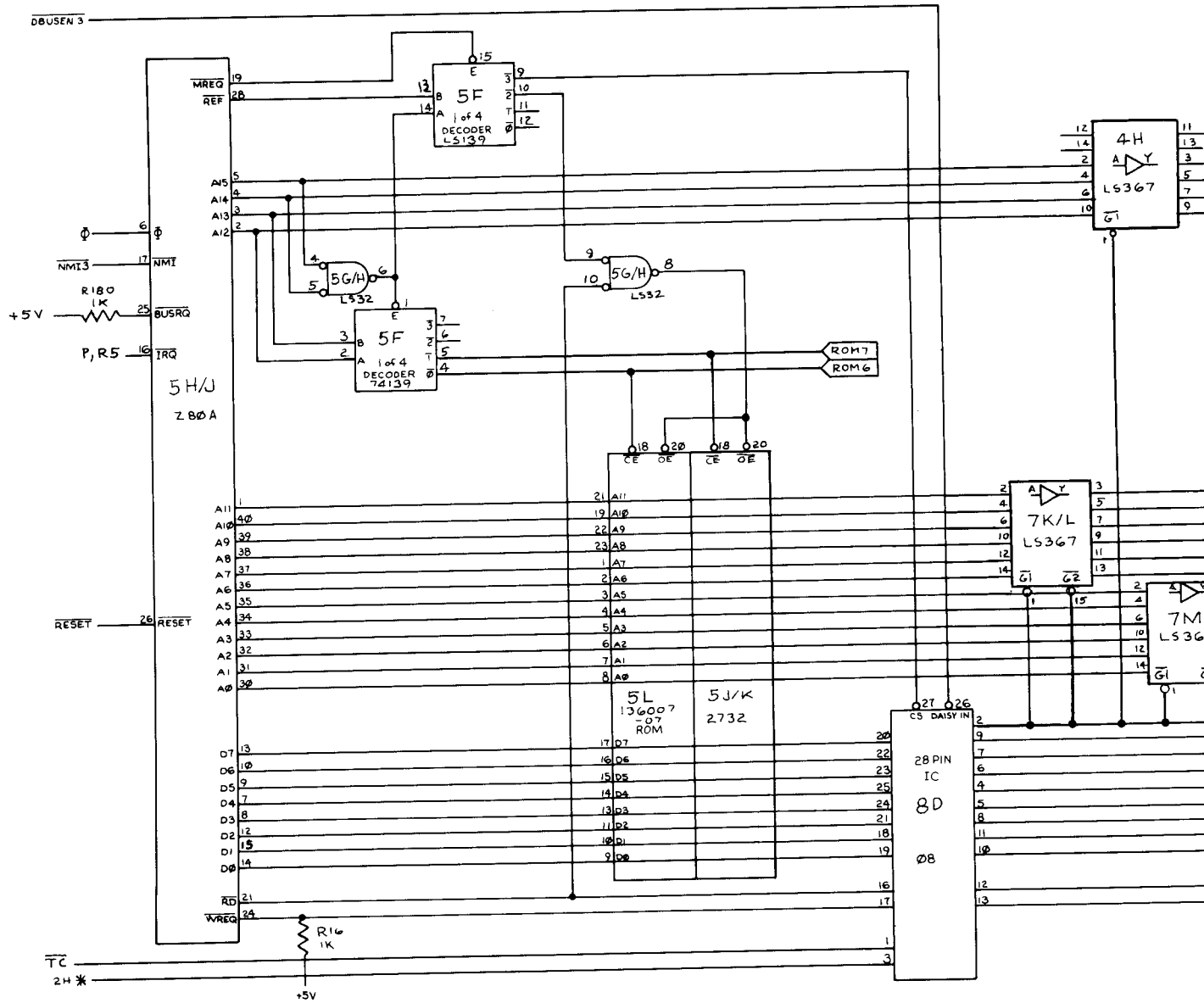
## Dig Dug CPU PCB Schematic Diagram

© ATARI INC., 1982

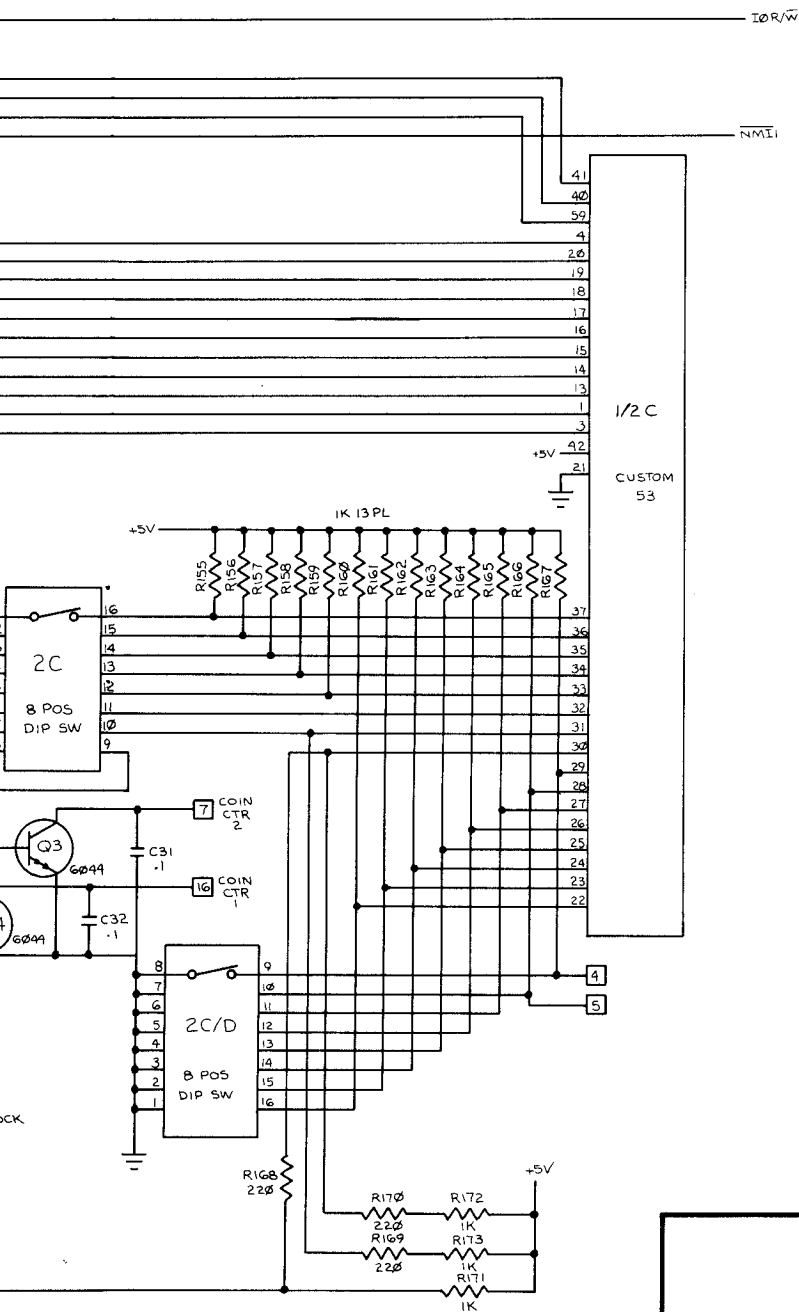
A Warner Communications Company

SP-203 Sheet 4A  
1st printing 3L

# 3rd Priority CPU



# Control Panel Outputs



**NOTICE TO ALL PERSONS RECEIVING THIS DRAWING**  
 CONFIDENTIAL: Reproduction forbidden without the specific written permission of Atari, Inc., Sunnyvale, CA. This drawing is only conditionally issued, and neither receipt nor possession thereof confers or transfers any right in, or license to use, the subject matter of the drawing or any design or technical information shown thereon, nor any right to reproduce this drawing or any part thereof. Except for manufacture by vendors of Atari, Inc., and for manufacture under the corporation's written license, no right is granted to reproduce this drawing or the subject matter thereof, unless by written agreement with or written permission from the corporation.

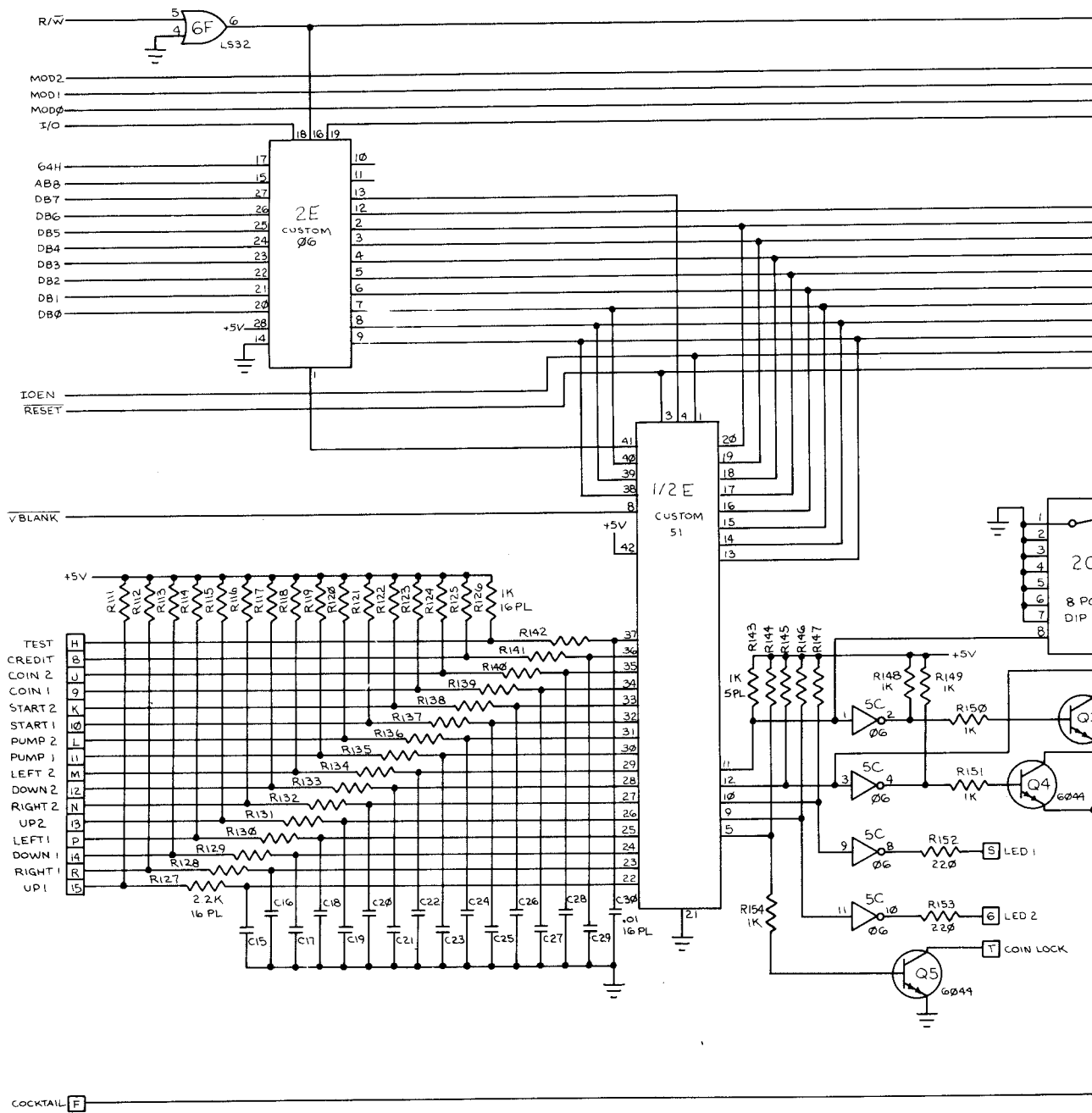
## Dig Dug CPU PCB Schematic Diagram

© ATARI INC., 1982

A Warner Communications Company

SP-203 Sheet 4B  
 1st printing 3L

# Switch Inputs, Coin Door and Control P

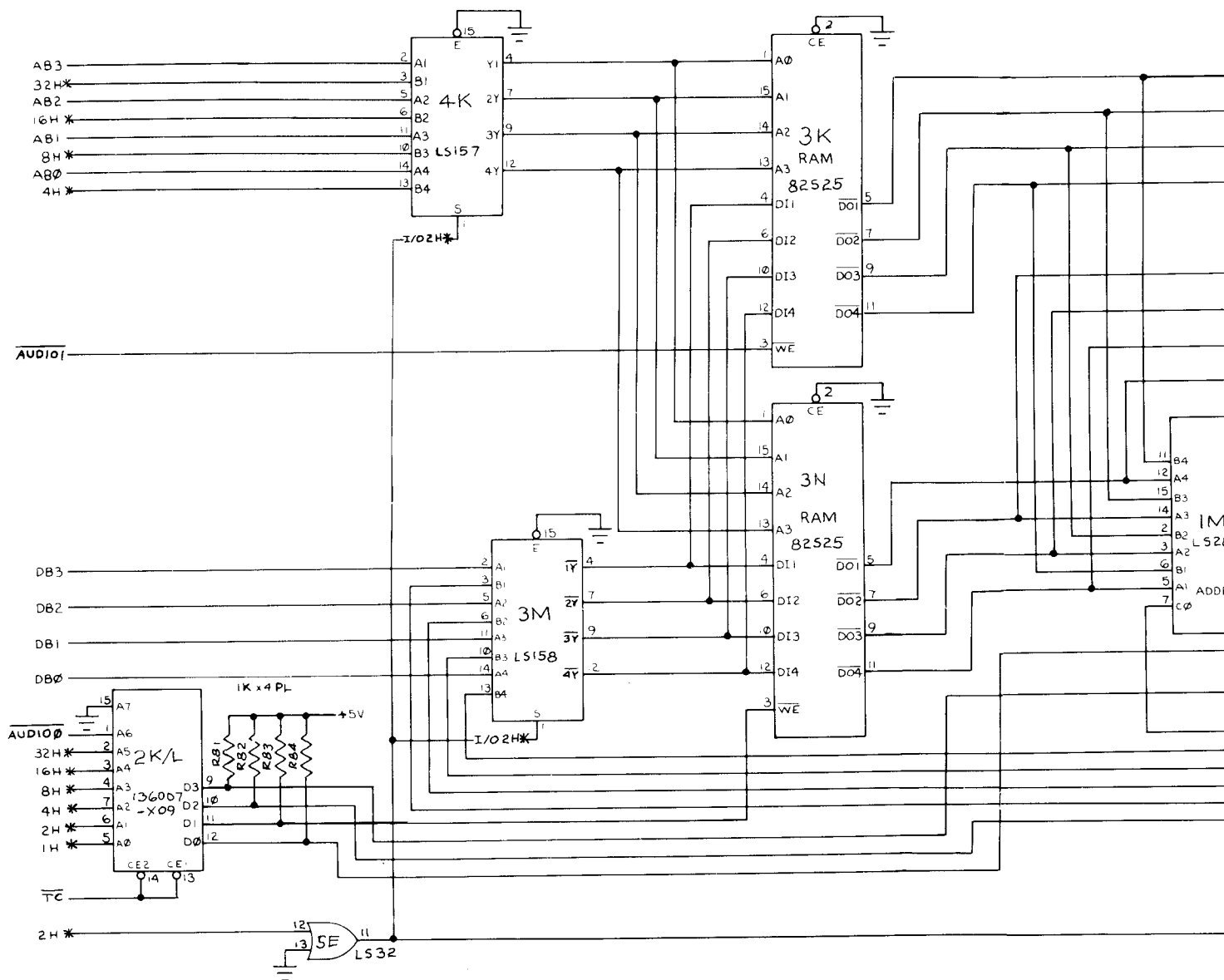


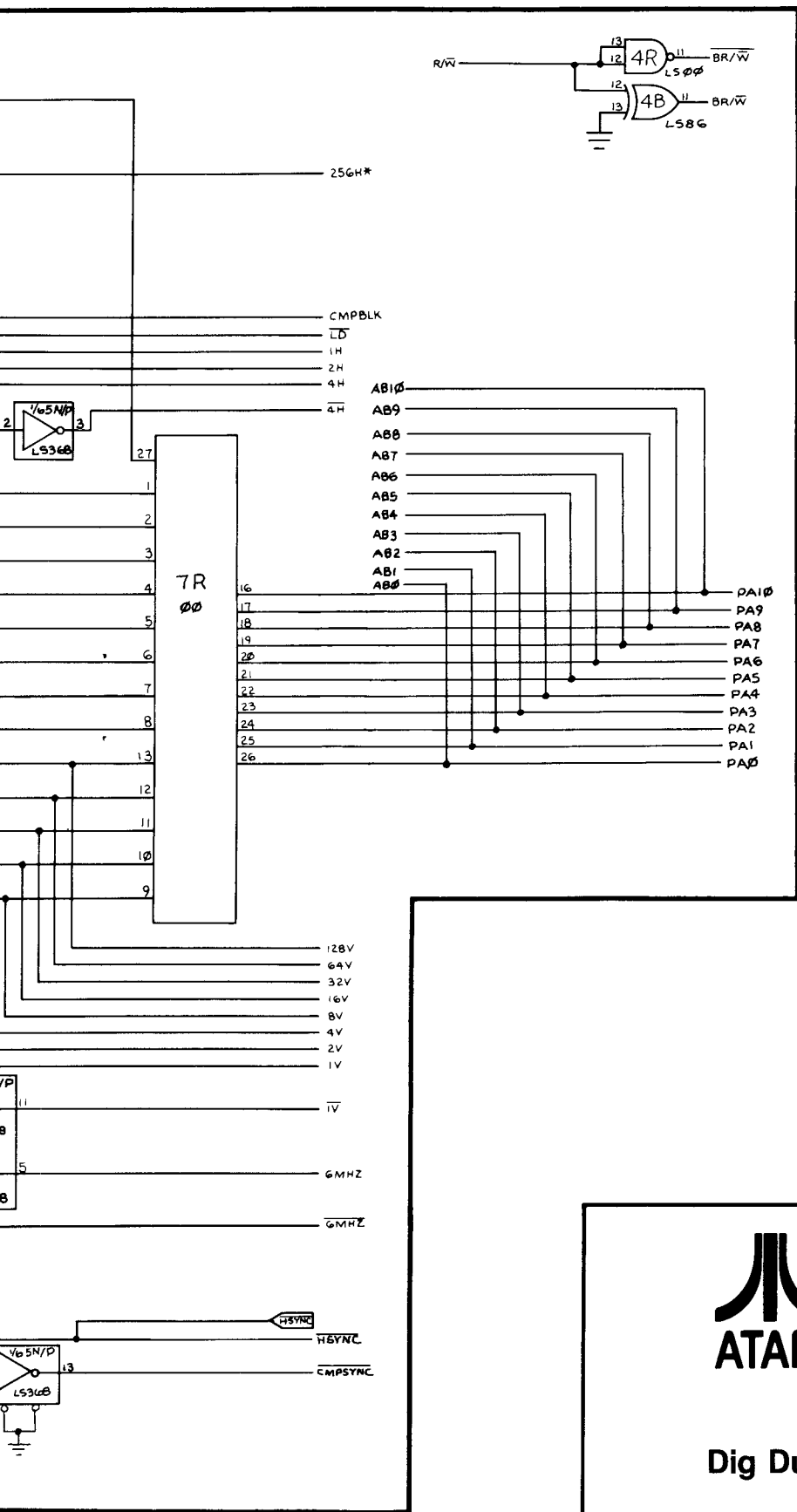
COCKTAIL  F





# Audio





**NOTICE TO ALL PERSONS RECEIVING THIS DRAWING**  
 CONFIDENTIAL: Reproduction forbidden without the specific written permission of Atari, Inc., Sunnyvale, CA. This drawing is only conditionally issued, and neither receipt nor possession thereof confers or transfers any right in, or license to use, the subject matter of the drawing or any design or technical information shown thereon, nor any right to reproduce this drawing or any part thereof. Except for manufacture by vendors of Atari, Inc., and for manufacture under the corporation's written license, no right is granted to reproduce this drawing or the subject matter thereof, unless by written agreement with or written permission from the corporation.

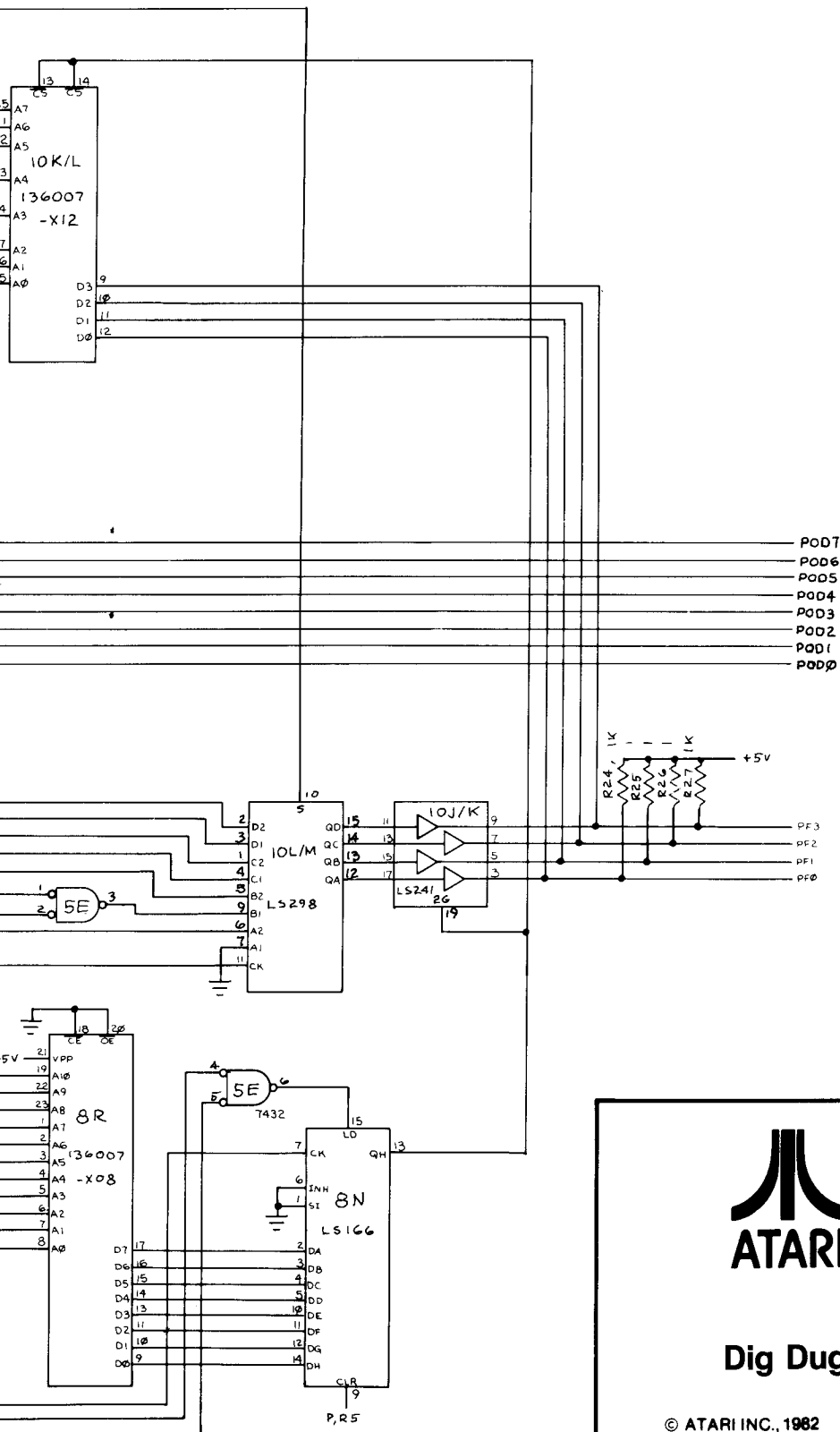
## Dig Dug Video PCB Schematic Diagram

© ATARI INC., 1982

A Warner Communications Company

SP-203 Sheet 5B  
 1st printing 3L





**NOTICE TO ALL PERSONS RECEIVING THIS DRAWING**  
 CONFIDENTIAL: Reproduction forbidden without the specific written permission of Atari, Inc., Sunnyvale, CA. This drawing is only conditionally issued, and neither receipt nor possession thereof confers or transfers any right in, or license to use, the subject matter of the drawing or any design or technical information shown thereon, nor any right to reproduce this drawing or any part thereof. Except for manufacture by vendors of Atari, Inc., and for manufacture under the corporation's written license, no right is granted to reproduce this drawing or the subject matter thereof, unless by written agreement with or written permission from the corporation.

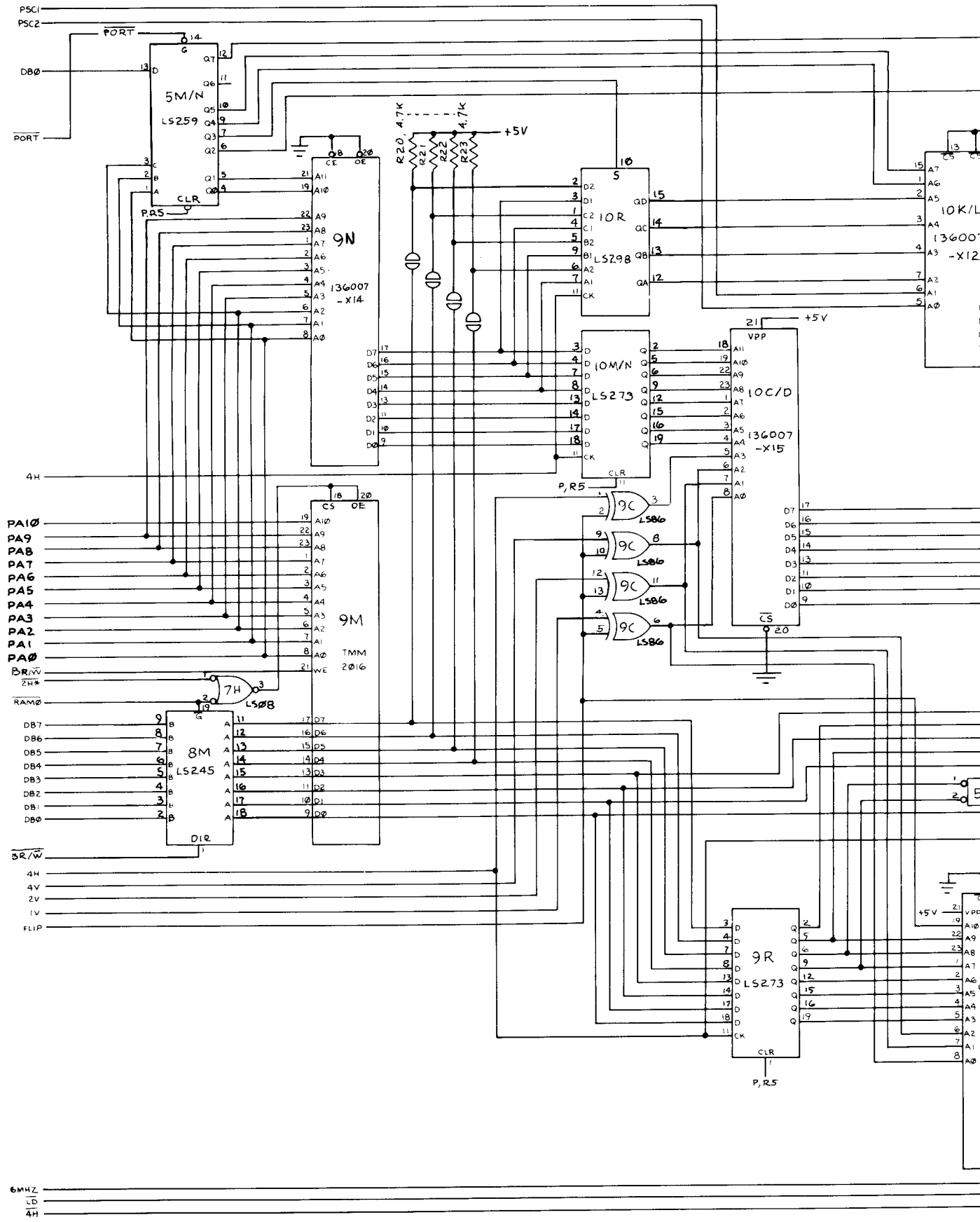
## Dig Dug Video PCB Schematic Diagram

© ATARI INC., 1982

A Warner Communications Company

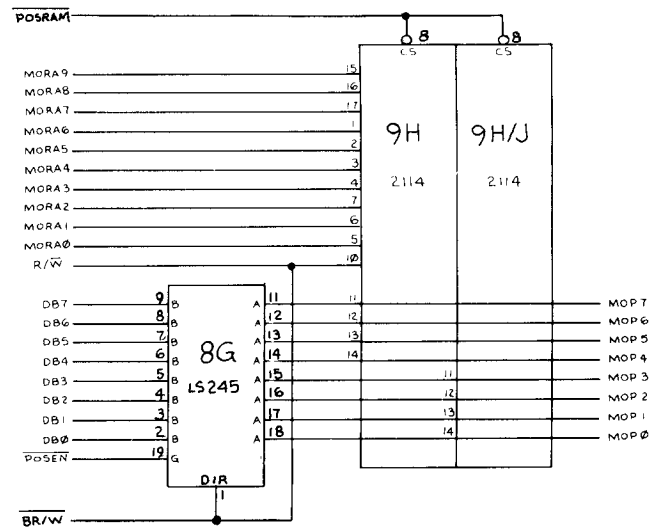
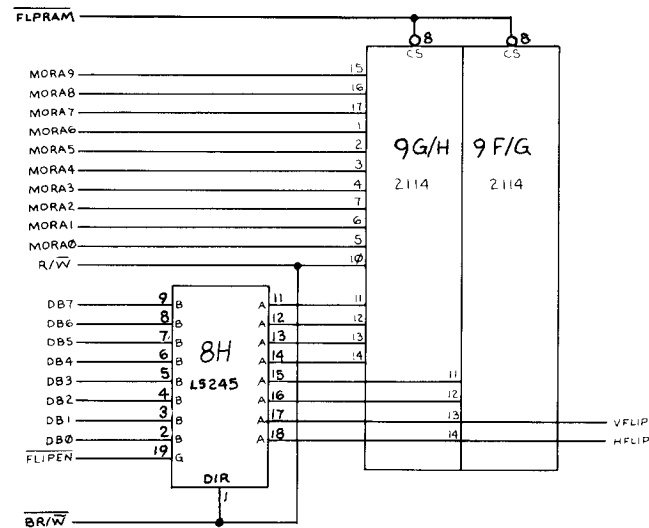
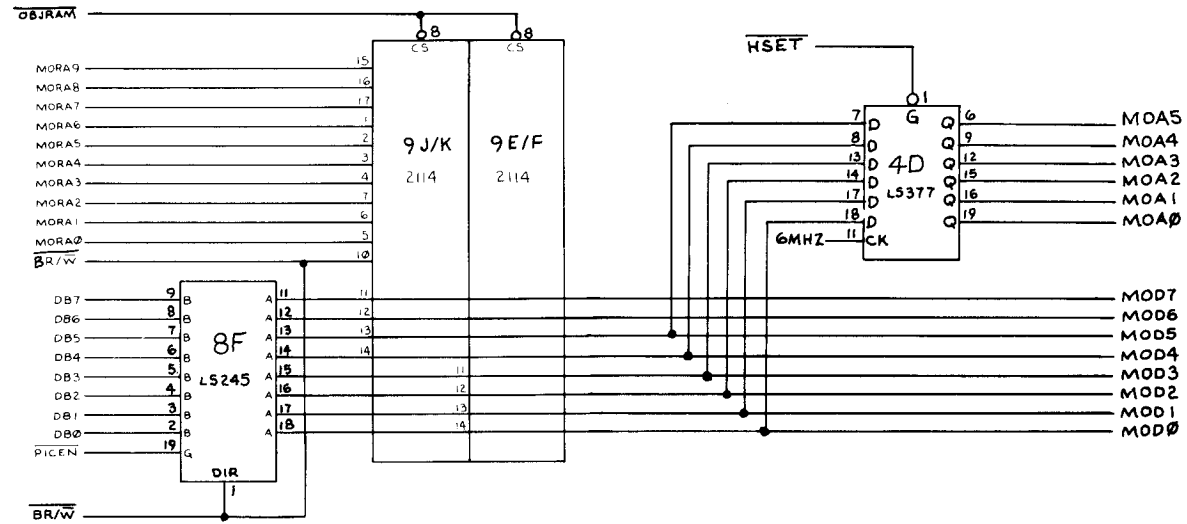
SP-203 Sheet 6A  
 1st printing 3L

# Playfield Generator



6MHZ  
LD  
4H

# Motion Object RAM



- EAROM
- PORT
- 1 — OBJRAM
- 2 — FLPRAM
- 3 — POSRAM
- 4 — PICEN
- 5 — RAM0
- 6 — POSEN
- 7 — FLIPEN
- 8 — MORA9
- 9 — MORA8
- 10 — MORA7
- 11 — MORA6
- 12 — MORA5
- 13 — MORA4
- 14 — MORA3
- 15 — MORA2
- 16 — MORA1
- 17 — MORA0
- 18 — VSET
- 19 — HSET
- 20 — OBJEN
- 21 — FLIP1
- 22 — FLIP2
- 23 — 2.6V
- 24 — 2.8V
- 25 — 2.4V
- 26 — 2.2V
- 27 — 2.1V



**NOTICE TO ALL PERSONS RECEIVING THIS DRAWING**  
 CONFIDENTIAL: Reproduction forbidden without the specific written permission of Atari, Inc., Sunnyvale, CA. This drawing is only conditionally issued, and neither receipt nor possession thereof confers or transfers any right in, or license to use, the subject matter of the drawing or any design or technical information shown thereon, nor any right to reproduce this drawing or any part thereof. Except for manufacture by vendors of Atari, Inc., and for manufacture under the corporation's written license, no right is granted to reproduce this drawing or the subject matter thereof, unless by written agreement with or written permission from the corporation.

## Dig Dug Video PCB Schematic Diagram

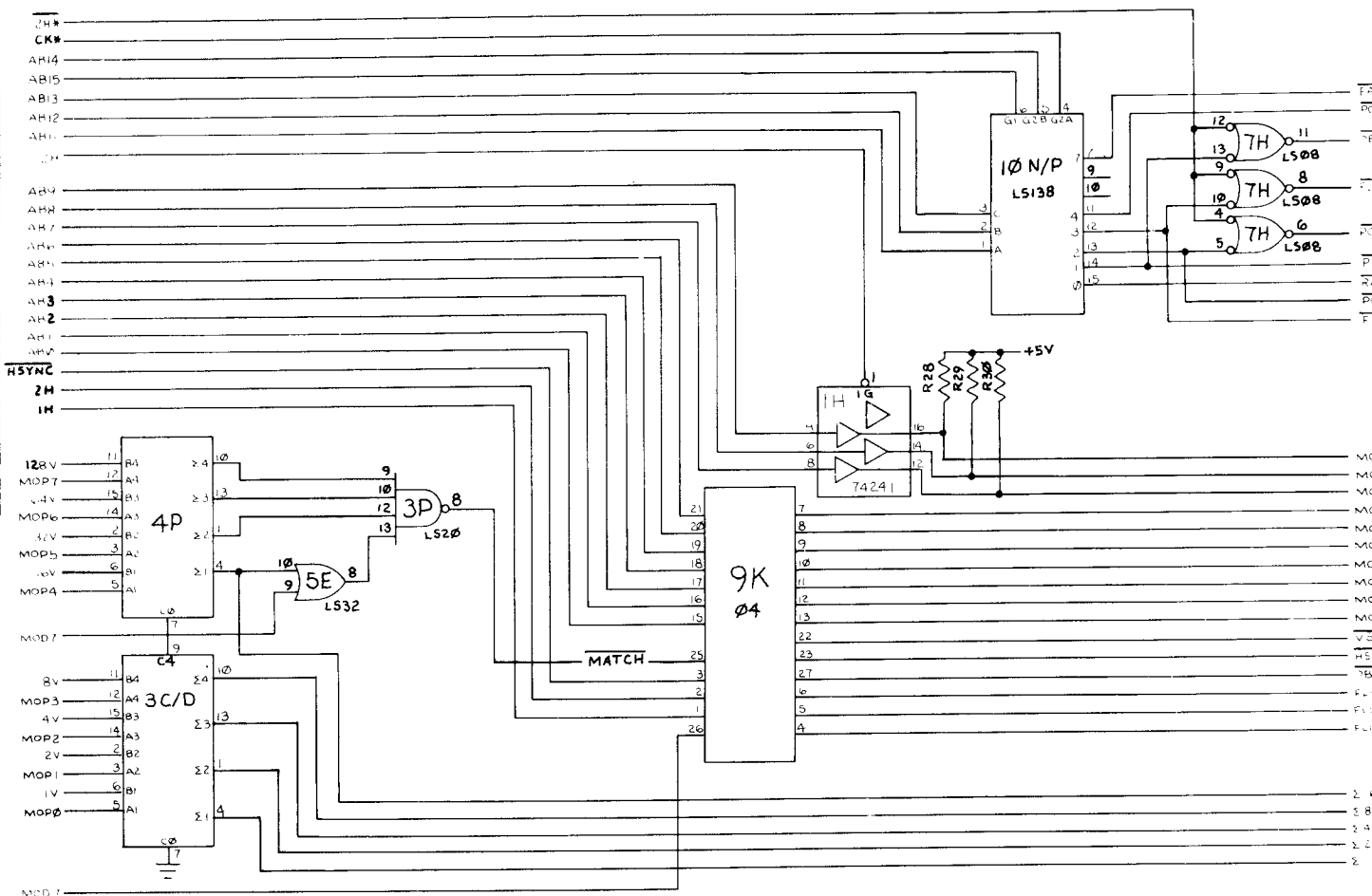
© ATARI INC., 1982



A Warner Communications Company

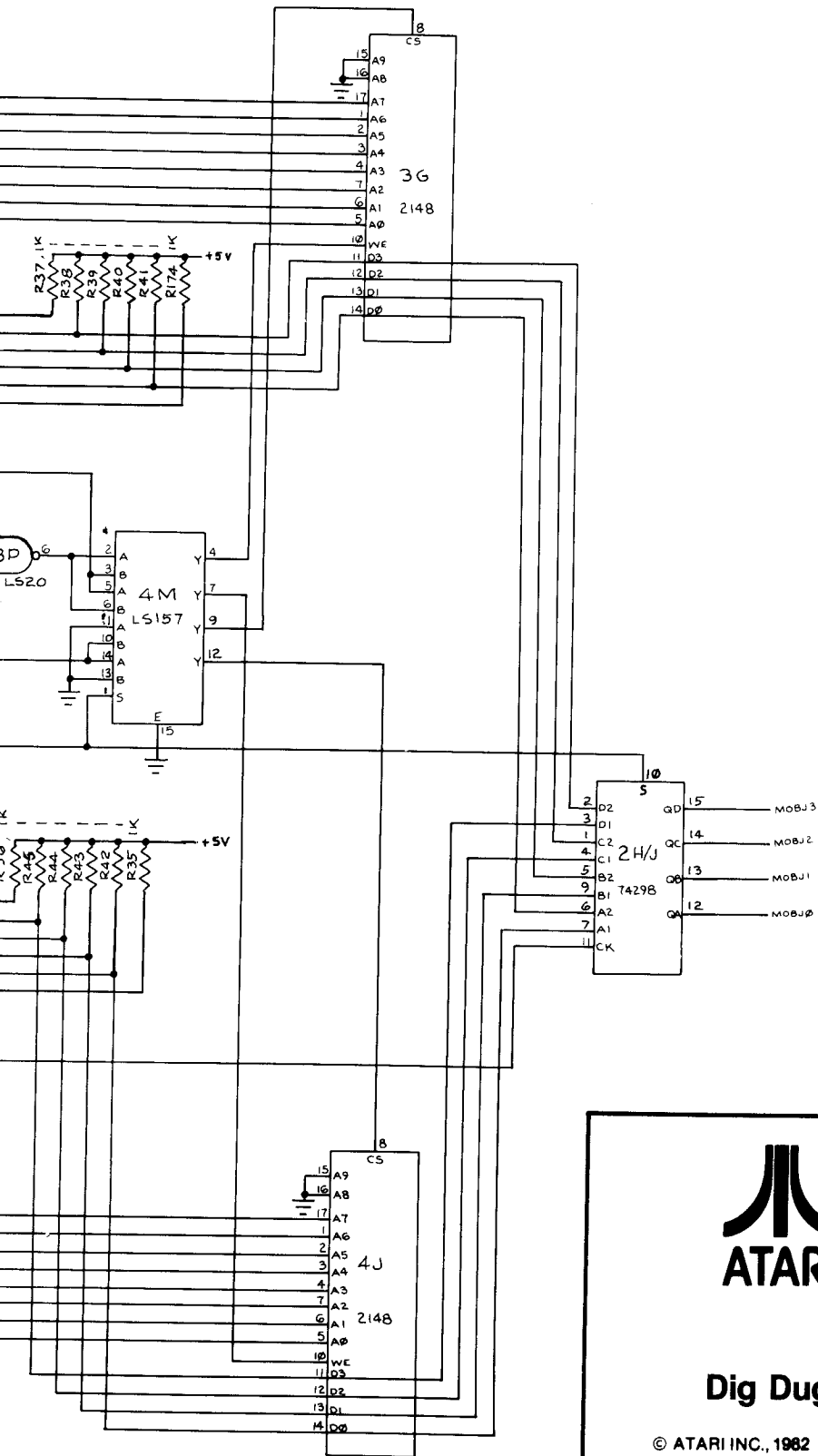
SP-203 Sheet 6B  
 1st printing 3L

# Motion Object Address Generator, Decoder, and Match Line Flag





# Generator



MOBJ0 through MOBJ3 -  
Motion Object Output.



**NOTICE TO ALL PERSONS RECEIVING THIS DRAWING**  
 CONFIDENTIAL: Reproduction forbidden without the specific written permission of Atari, Inc., Sunnyvale, CA. This drawing is only conditionally issued, and neither receipt nor possession thereof confers or transfers any right in, or license to use, the subject matter of the drawing or any design or technical information shown thereon, nor any right to reproduce this drawing or any part thereof. Except for manufacture by vendors of Atari, Inc., and for manufacture under the corporation's written license, no right is granted to reproduce this drawing or the subject matter thereof, unless by written agreement with or written permission from the corporation.

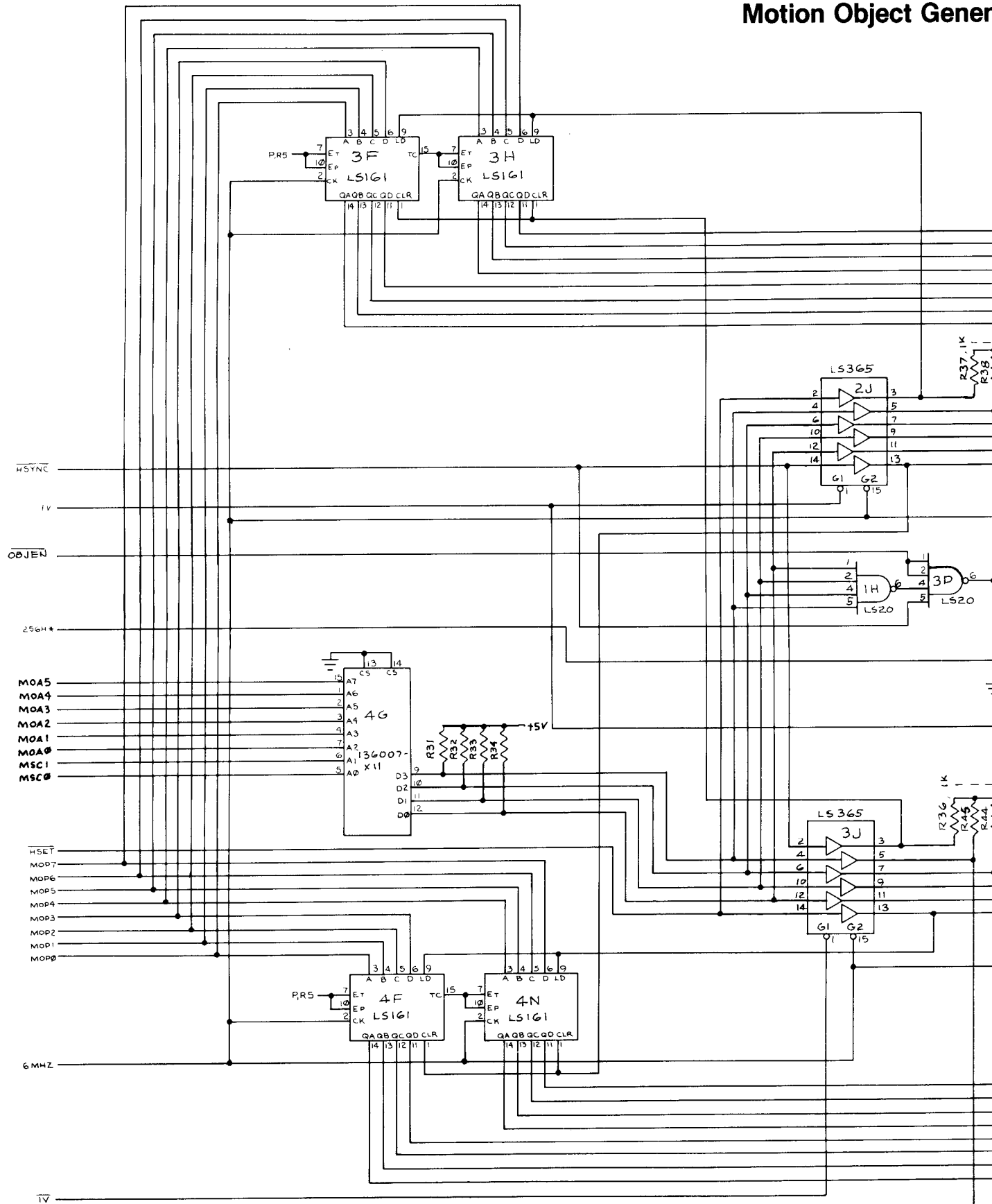
## Dig Dug Video PCB Schematic Diagram

© ATARI INC., 1982

A Warner Communications Company

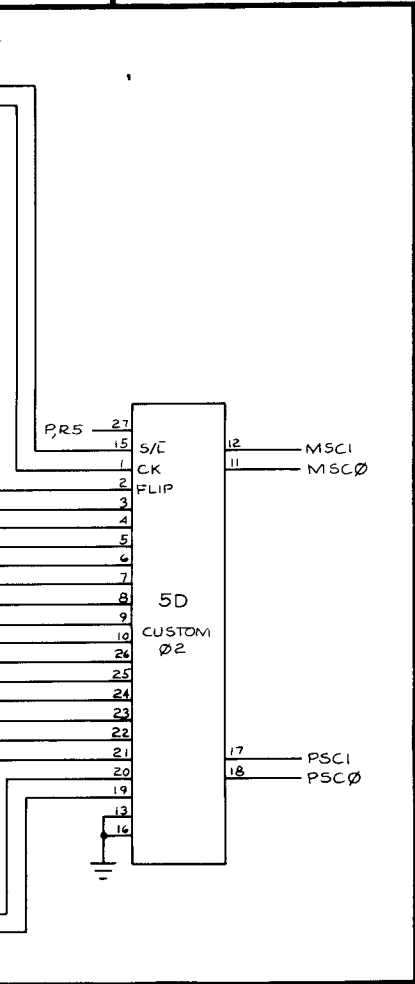
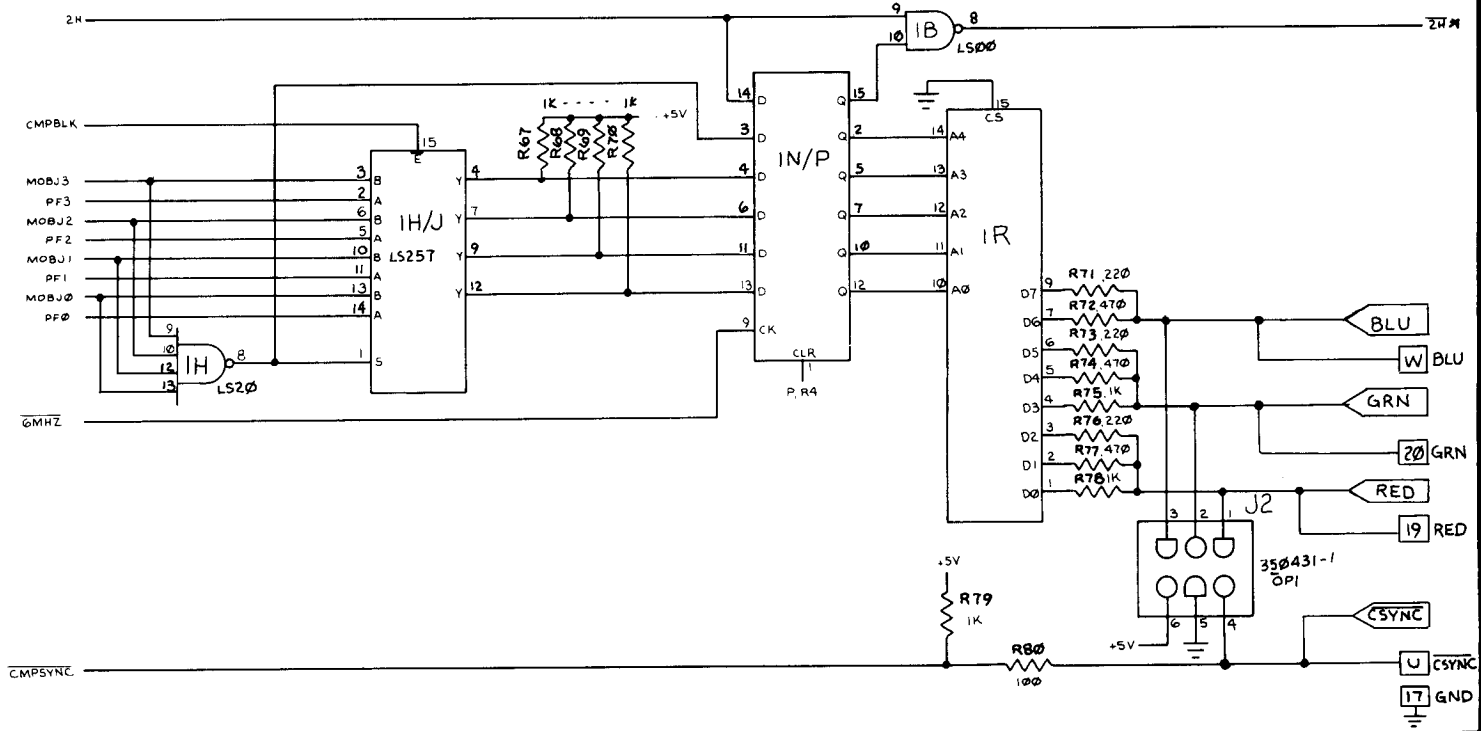
SP-203 Sheet 7A  
1st printing 3L

# Motion Object Gener



MOP0 through MOP7 - Motion Object  
V and H Position Data.  
MOBJA0 through MOBJA7 - Motion  
Object Picture Address.

# Video Output



**NOTICE TO ALL PERSONS RECEIVING THIS DRAWING**  
 CONFIDENTIAL: Reproduction forbidden without the specific written permission of Atari, Inc., Sunnyvale, CA. This drawing is only conditionally issued, and neither receipt nor possession thereof confers or transfers any right in, or license to use, the subject matter of the drawing or any design or technical information shown thereon, nor any right to reproduce this drawing or any part thereof. Except for manufacture by vendors of Atari, Inc., and for manufacture under the corporation's written license, no right is granted to reproduce this drawing or the subject matter thereof, unless by written agreement with or written permission from the corporation.

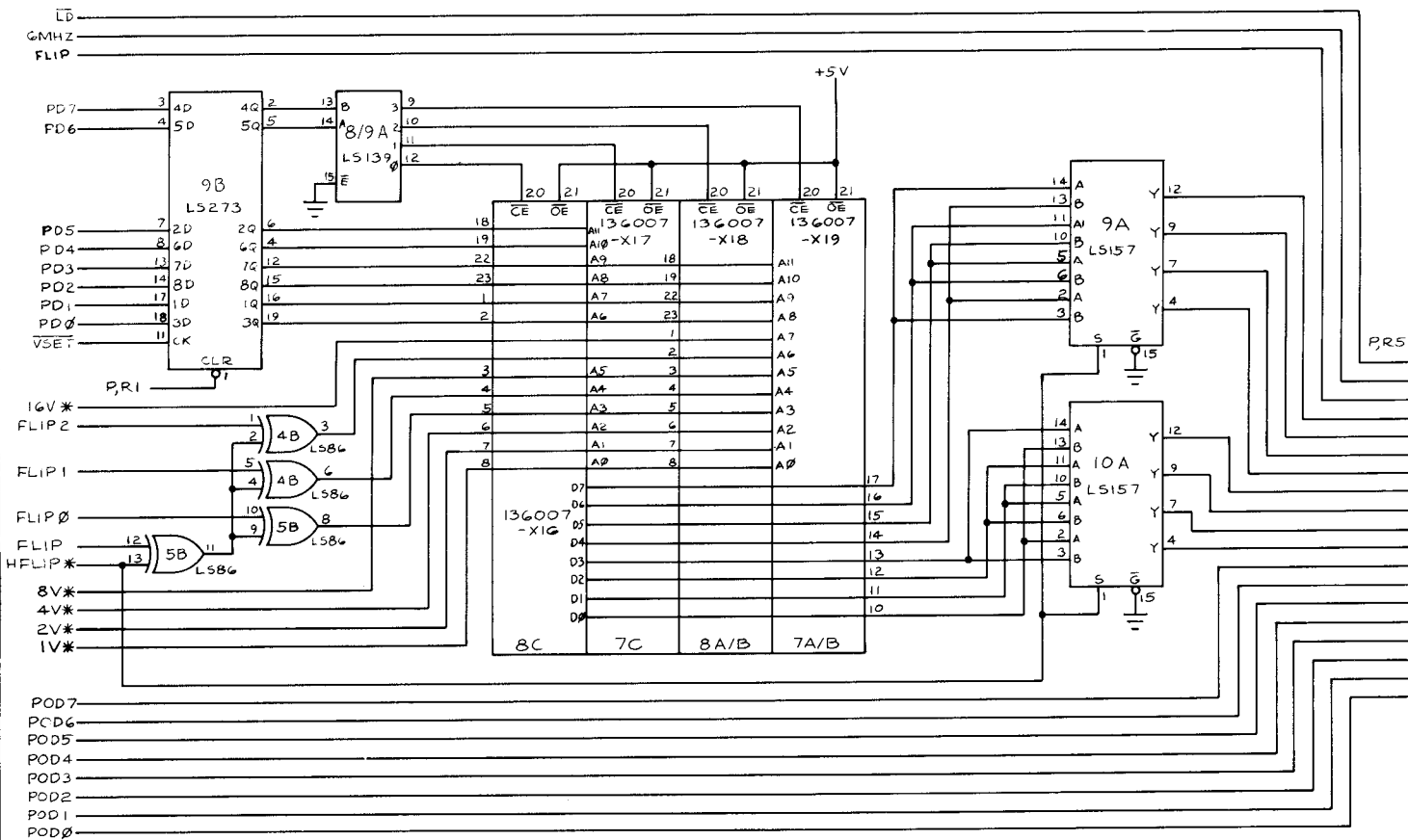
## Dig Dug Video PCB Schematic Diagram

© ATARI INC., 1982

A Warner Communications Company

SP-203 Sheet 7B  
 1st printing 3L

# Video Color Controller





**NOTICE TO ALL PERSONS RECEIVING THIS DRAWING**  
CONFIDENTIAL: Reproduction forbidden without the specific written permission of Atari, Inc., Sunnyvale, CA. This drawing is only conditionally issued, and neither receipt nor possession thereof confers or transfers any right in, or license to use, the subject matter of the drawing or any design or technical information shown thereon, nor any right to reproduce this drawing or any part thereof. Except for manufacture by vendors of Atari, Inc., and for manufacture under the corporation's written license, no right is granted to reproduce this drawing or the subject matter thereof, unless by written agreement with or written permission from the corporation.

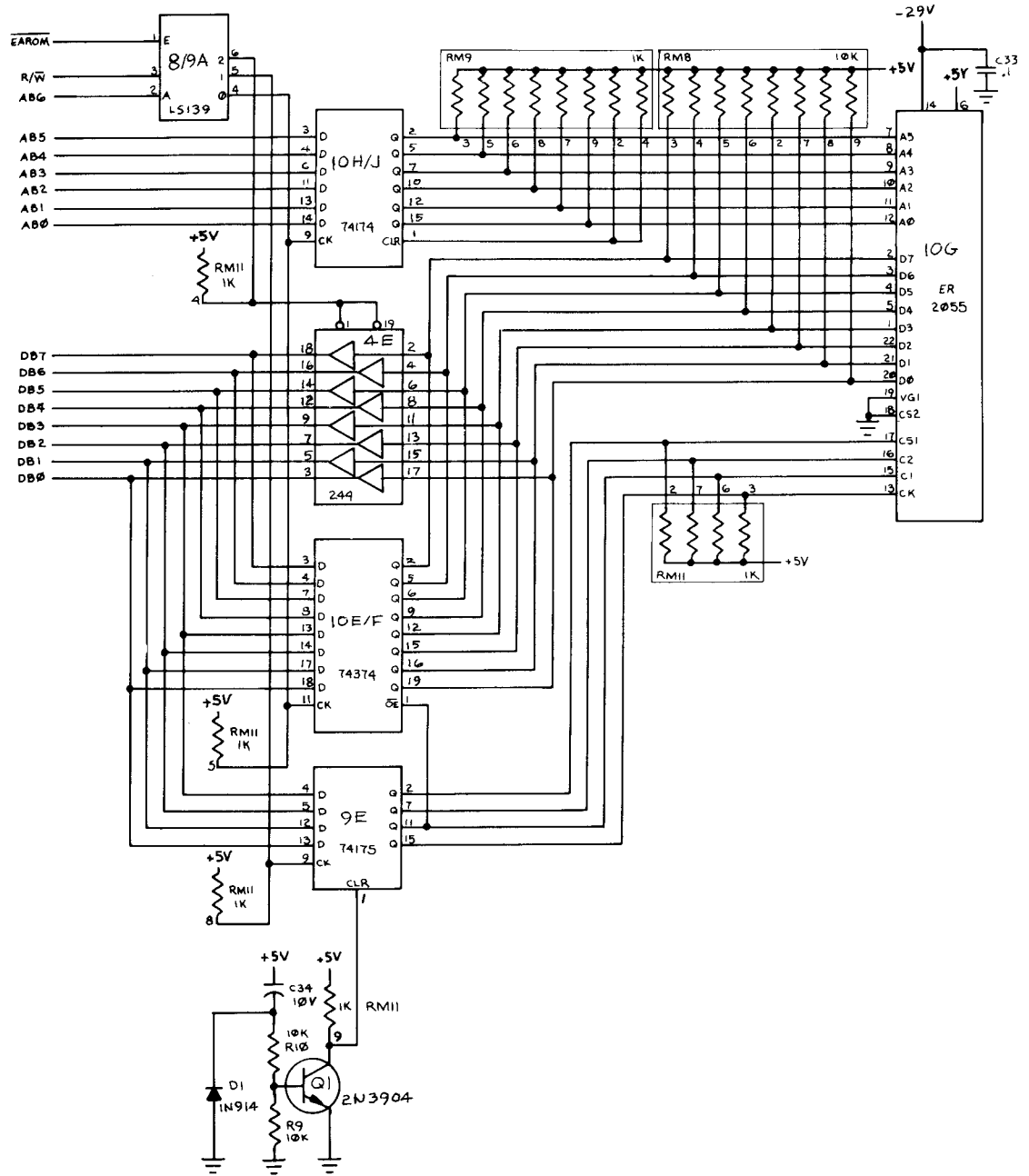
## Dig Dug Video PCB Schematic Diagram

© ATARI INC., 1982

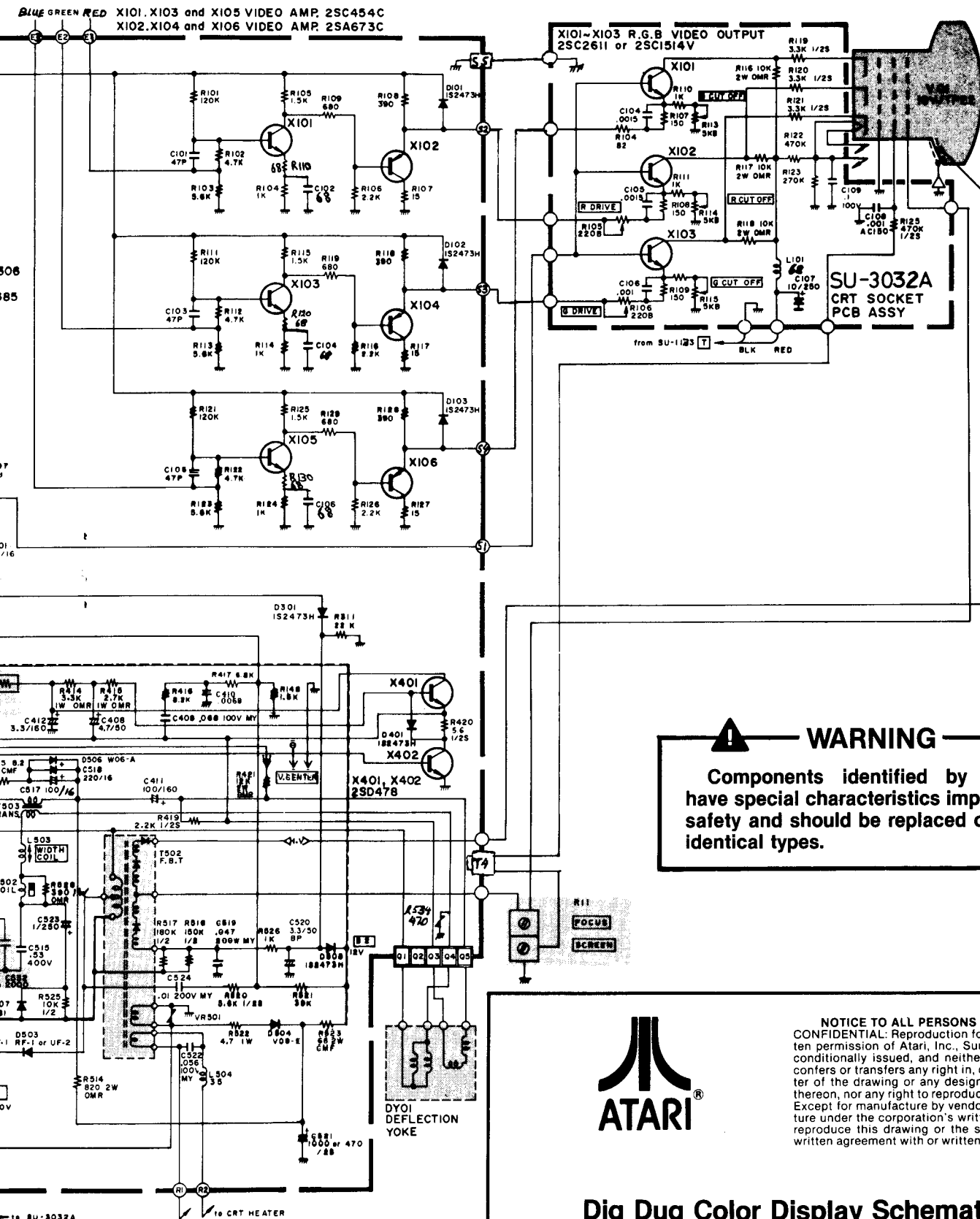
 A Warner Communications Company

SP-203 Sheet 8A  
1st printing 3L

# High-Score Table



# Schematic Diagram



**WARNING**

Components identified by shading have special characteristics important to safety and should be replaced only with identical types.



**NOTICE TO ALL PERSONS RECEIVING THIS DRAWING**  
 CONFIDENTIAL: Reproduction forbidden without the specific written permission of Atari, Inc., Sunnyvale, CA. This drawing is only conditionally issued, and neither receipt nor possession thereof confers or transfers any right in, or license to use, the subject matter of the drawing or any design or technical information shown thereon, nor any right to reproduce this drawing or any part thereof. Except for manufacture by vendors of Atari, Inc., and for manufacture under the corporation's written license, no right is granted to reproduce this drawing or the subject matter thereof, unless by written agreement with or written permission from the corporation.

## Dig Dug Color Display Schematic Diagram

© ATARI INC., 1982

A Warner Communications Company

SP-203 Sheet 8B  
 1st printing 3L

## Schematic Notes

Unless otherwise specified

Resistance: ( $\Omega$ ) (K $\rightarrow$ K $\Omega$ , M $\rightarrow$ M $\Omega$ ), 1/4 (W) carbon resistor

Capacitance: 1 or higher  $\rightarrow$  (pF), less than 1  $\rightarrow$  ( $\mu$ F)

working voltage  $\rightarrow$  50 (V)

ceramic capacitor

Inductance: ( $\mu$ H)

Electrolytic Cap: Capacitance Value ( $\mu$ F)/working voltage (V),

NP  $\rightarrow$  non-polar (or bipolar) electrolytic cap.

Refer to the parts list for additional component information.

$\text{\textcircled{P}}$  indicates test point connection

$\text{\textcircled{G}}$  indicates chassis ground unless otherwise specified

Hz indicates cycles per second

For **safety** purposes (and continuing reliability)

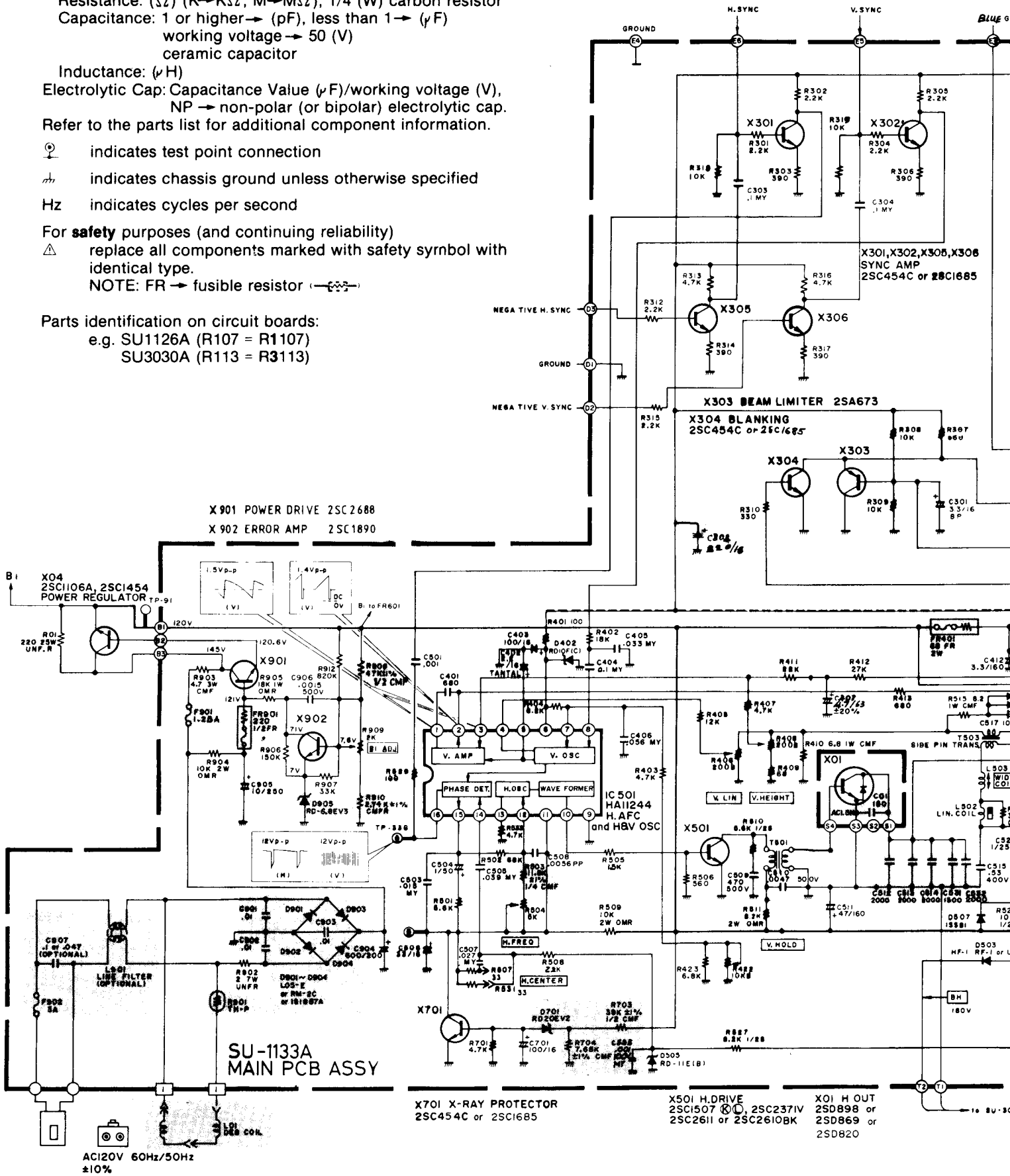
$\text{\textcircled{\Delta}}$  replace all components marked with safety symbol with identical type.

NOTE: FR  $\rightarrow$  fusible resistor ( $\text{\textcircled{FR}}$ )

Parts identification on circuit boards:

e.g. SU1126A (R107 = R1107)

SU3030A (R113 = R3113)



X 901 POWER DRIVE 2SC2688  
X 902 ERROR AMP 2SC1890

SU-1133A  
MAIN PCB ASSY

X701 X-RAY PROTECTOR  
2SC454C or 2SC1685

X501 H-DRIVE  
2SC1507 or 2SC2371V  
2SC2611 or 2SC2610BK

X01 H OUT  
2SD898 or 2SD869 or 2SD899 or 2SD820

AC120V 60Hz/50Hz  
 $\pm 10\%$