



## Schematic Package Supplement to

# *Charley Chuck's* FOOD FIGHT™

## Operators Manual

2M

ATARI INC., 1983

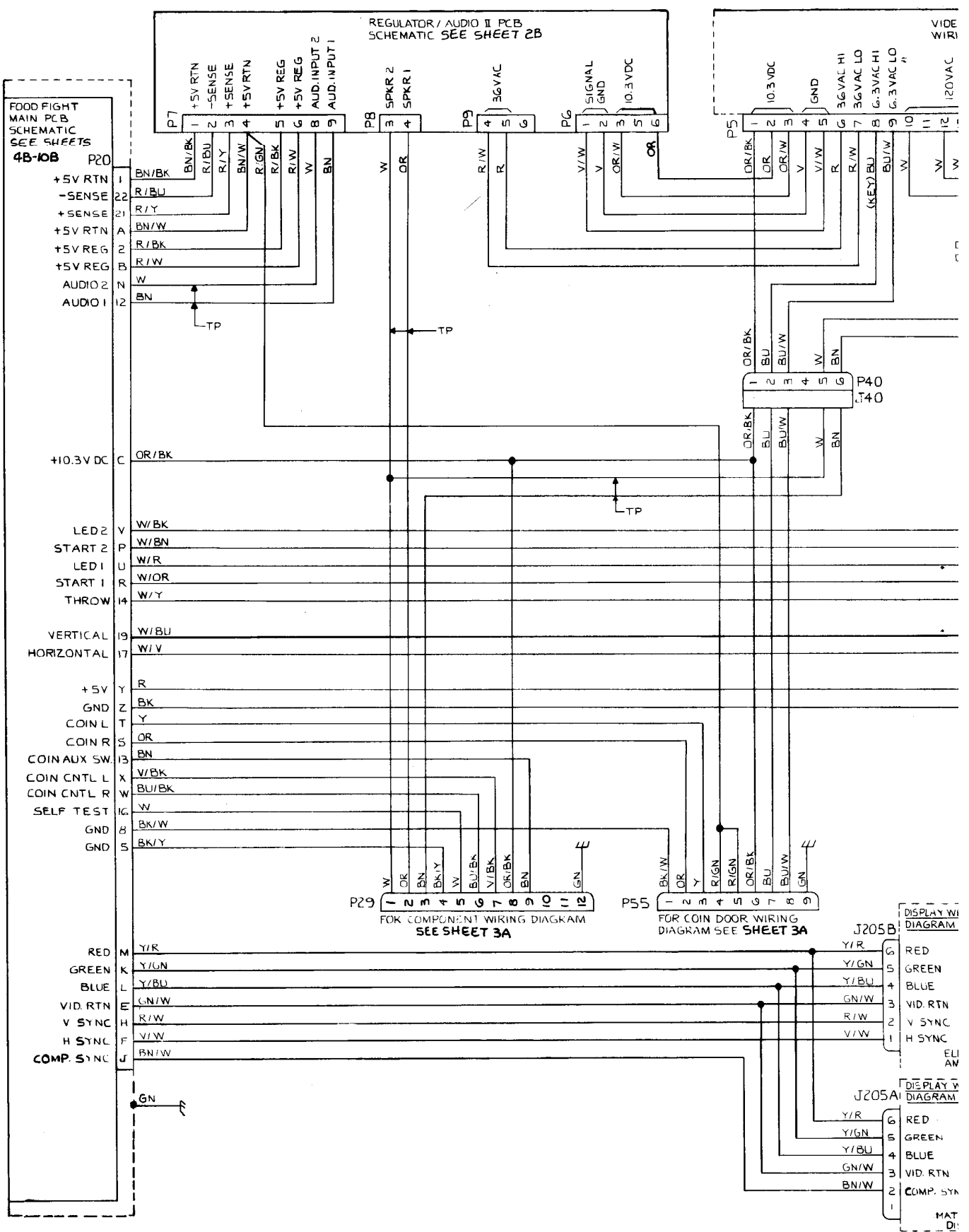
SP-229 Sheet 1A  
1st Printing

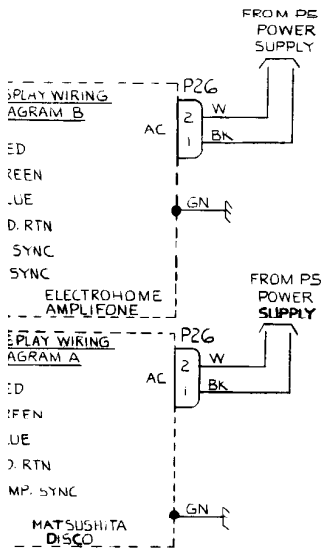
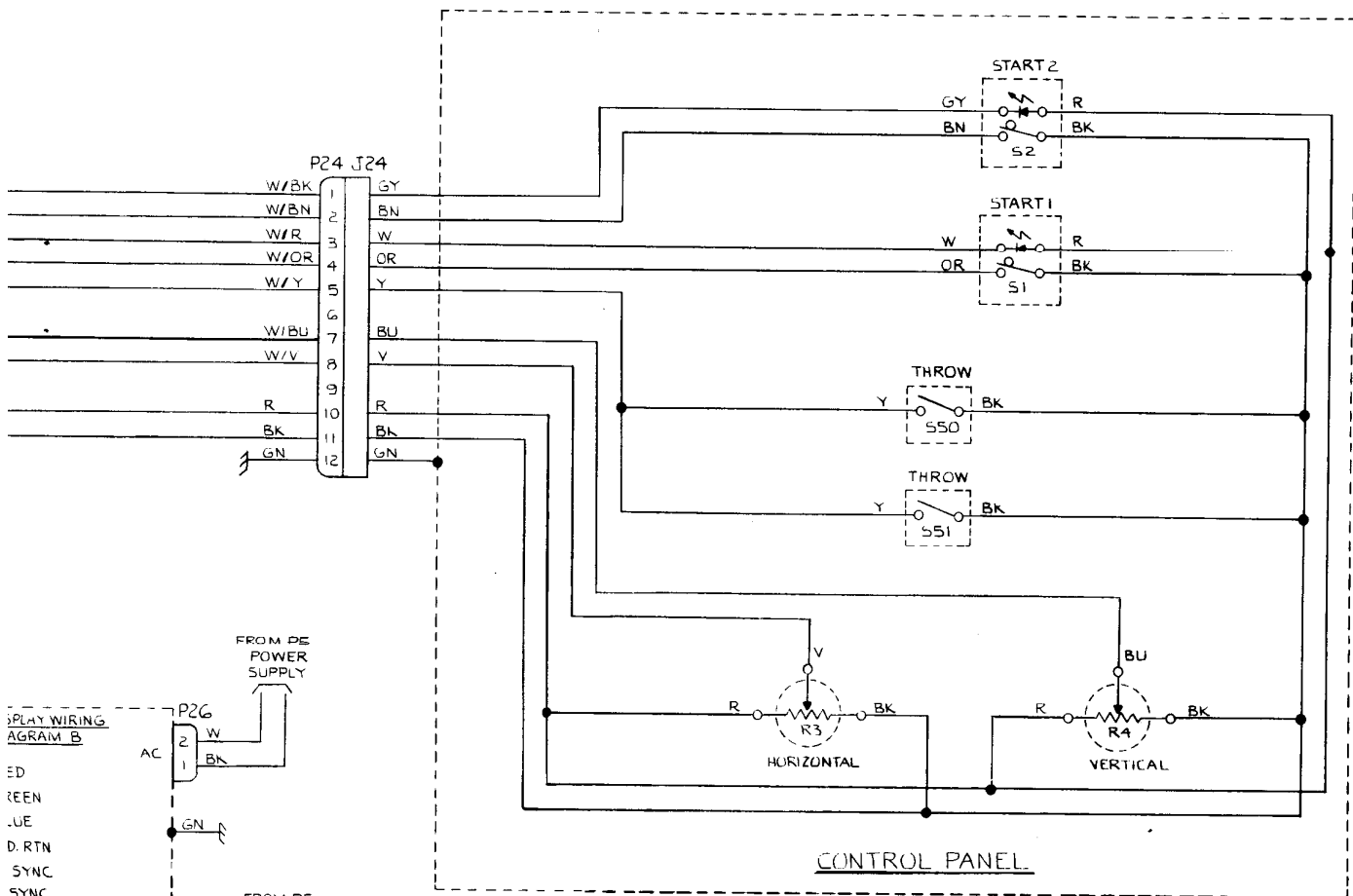
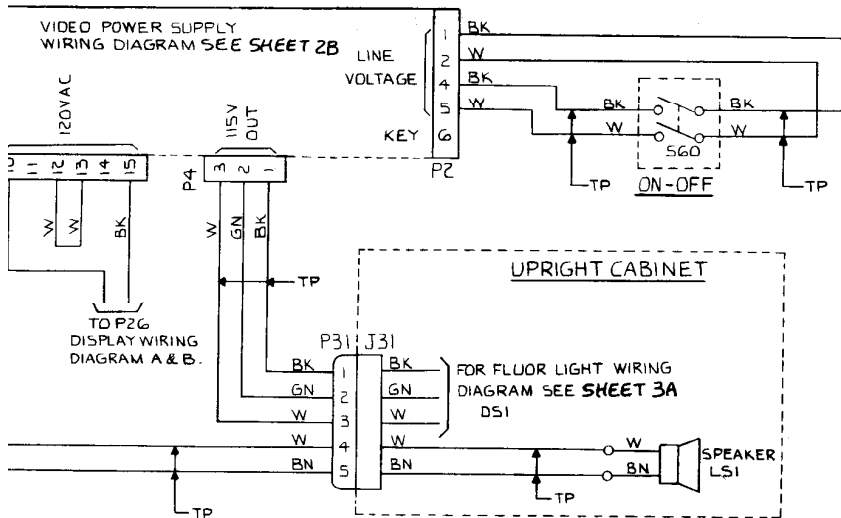
**BASEMENT  
ARCADE  
CLASSICS**

[www.basementarcade.com](http://www.basementarcade.com)

# Table of Contents

Sheet 1A	Table of Contents
Sheet 1B	Food Fight Main Wiring Diagram—US (039908-01 A)
Sheet 2A	Food Fight Main Wiring Diagram—Ireland (039998-01 A)
Sheet 2B	Regulator/Audio II PCB Schematic Diagram (035435-01 G), Color Raster Power Supply Wiring Diagram (037669-01 E)
Sheet 3A	Coin Door Wiring Diagram (A037542-01 D), Utility Panel Wiring Diagram (A038004-01 E), Fluorescent Light Wiring Diagram (035833-01 A)
Sheet 3B	EMI Shield Schematic Diagram (037430-04 A)
Sheet 4A	Memory Map
<i>Game PCB Schematics, Sheets 4B–10B</i>	
Sheet 4B	Food Fight Power/Ground and CPU Schematic Diagram
Sheet 5A	Food Fight Reset and Digital I/O Schematic Diagram
Sheet 5B	Food Fight Address Decoder Schematic Diagram
Sheet 6A	Food Fight Memory Schematic Diagram
Sheet 6B	Food Fight Sync Schematic Diagram
Sheet 7A	Food Fight Playfield RAM/ROM Schematic Diagram
Sheet 7B	Food Fight Motion Object RAM Schematic Diagram
Sheet 8A	Food Fight Vertical Position Schematic Diagram
Sheet 8B	Food Fight Motion Object ROM Schematic Diagram
Sheet 9A	Food Fight Line Buffers Schematic Diagram
Sheet 9B	Food Fight Color RAM Schematic Diagram
Sheet 10A	Food Fight Sound Schematic Diagram
Sheet 10B	Food Fight Analog Inputs
<i>Display Schematics, Sheets 11A–11B</i>	
Sheet 11A	Electrohome Display Schematic Diagram (92-049)
Sheet 11B	Matsushita Display Schematic Diagram (139003-1004)





**NOTICE TO ALL PERSONS RECEIVING THIS DRAWING**

CONFIDENTIAL: Reproduction forbidden without the specific written permission of Atari, Inc., Sunnyvale, CA. This drawing is only conditionally issued, and neither receipt nor possession thereof confers or transfers any right in, or license to use, the subject matter of the drawing or any design or technical information shown thereon, nor any right to reproduce this drawing or any part thereof. Except for manufacture by vendors of Atari, Inc., and for manufacture under the corporation's written license, no right is granted to reproduce this drawing or the subject matter thereof, unless by written agreement with or written permission from the corporation.

## Food Fight Main Wiring Diagram—US



© Atari Inc. 1985  
A Warner Communications Company

SP-229 Sheet 1B  
1st Printing

**BASEMENT  
ARCADE**

FOOD FIGHT  
MAIN PCB  
SCHEMATIC  
SEE SHEETS  
4B-10D

P20

+5V RTN 1  
-SENSE 22  
+SENSE 21  
+5V RTN A  
+5V REG 2  
+5V REG B  
AUDIO 2 N  
AUDIO 1 12

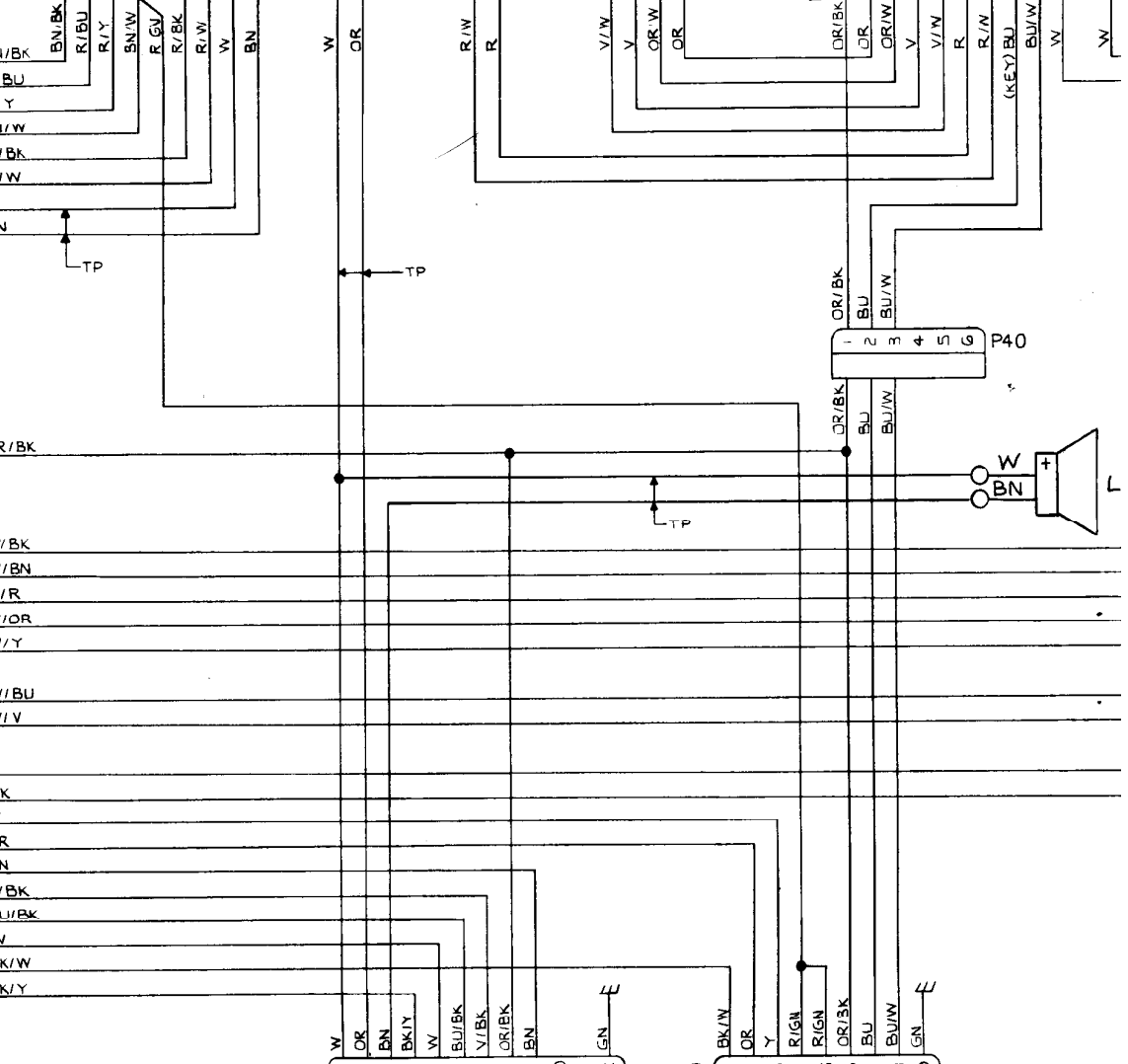
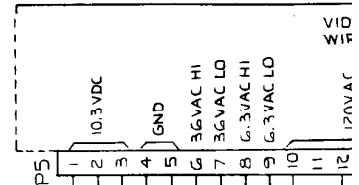
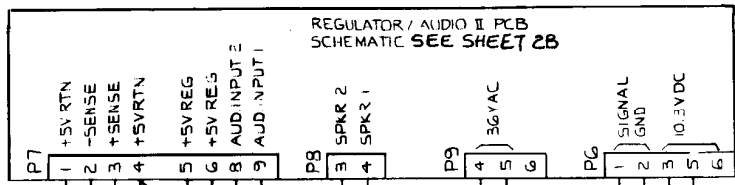
+10.3V DC C

LED 2 V  
START 2 F  
LED 1 U  
START 1 R  
THROW 14

VERTICAL 19  
HORIZONTAL 17

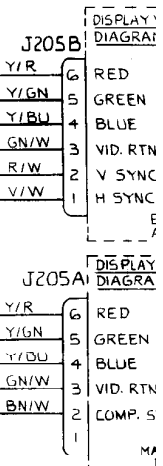
+5V Y  
GND Z  
COIN L T  
COIN R S  
COIN AUX SW 13  
COIN CNTL L X  
COIN CNTL R W  
SELF TEST IG  
GND 8  
GND S

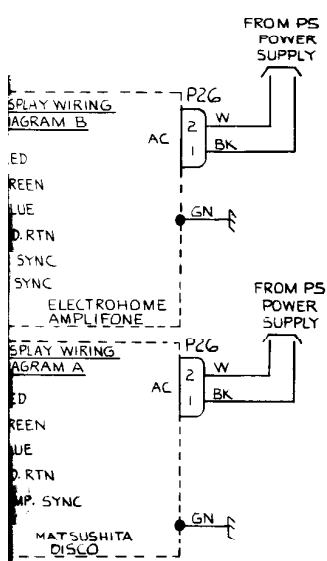
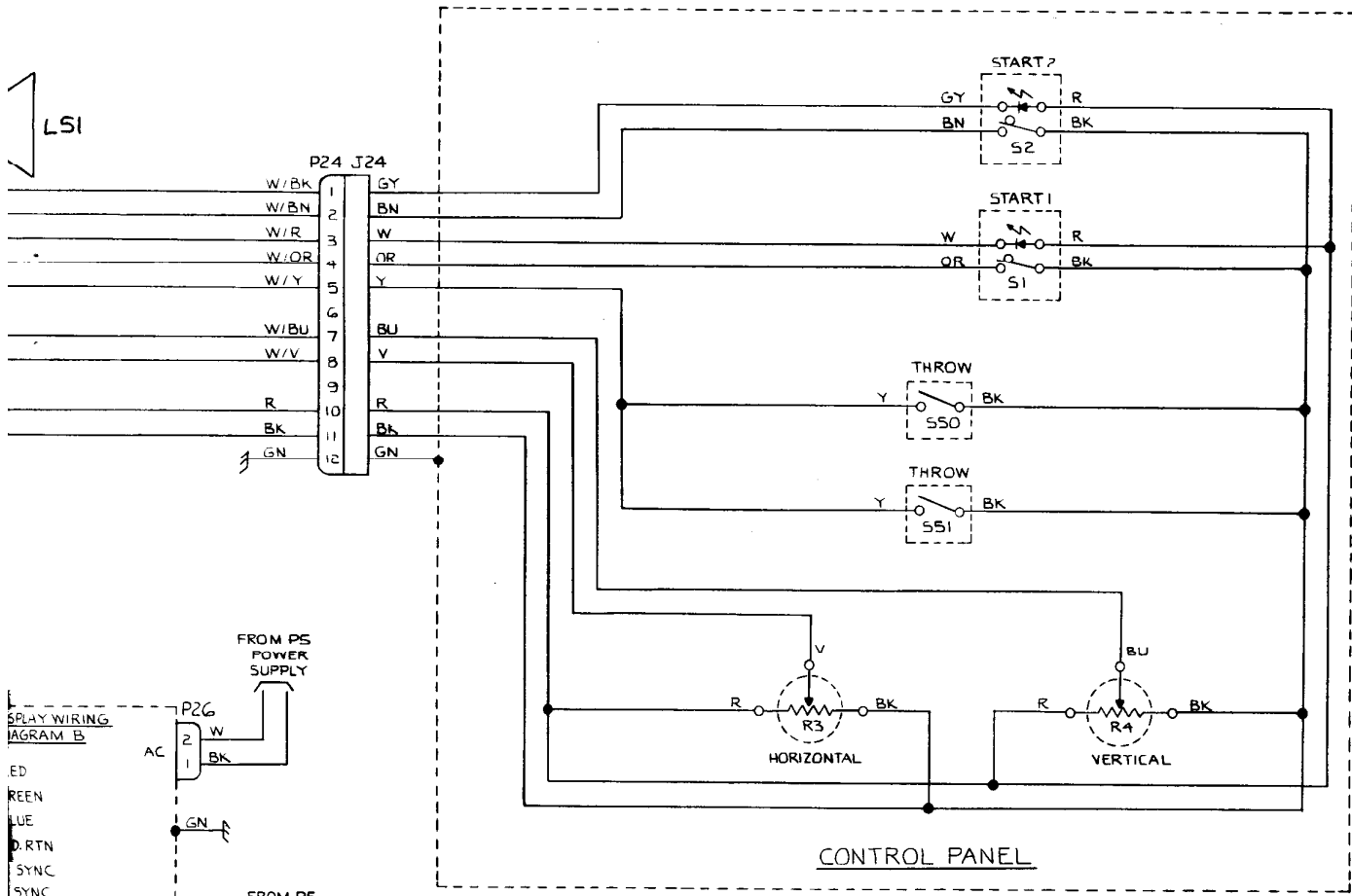
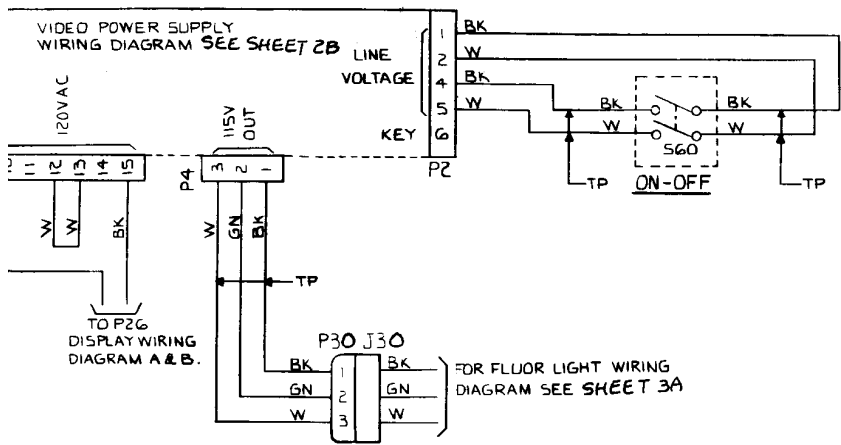
RED M  
GREEN K  
BLUE L  
VID. RTN E  
V SYNC H  
H SYNC F  
COMP. SYNC J



P29 1 2 3 4 5 6 7 8 9 10 11 12  
FOR COMPONENT WIRING DIAGRAM SEE SHEET 3A

P55 1 2 3 4 5 6 7 8 9  
FOR COIN DOOR WIRING DIAGRAM SEE SHEET 3A





**NOTICE TO ALL PERSONS RECEIVING THIS DRAWING**  
 CONFIDENTIAL: Reproduction forbidden without the specific written permission of Atari, Inc., Sunnyvale, CA. This drawing is only conditionally issued, and neither receipt nor possession thereof confers or transfers any right in, or license to use, the subject matter of the drawing or any design or technical information shown thereon, nor any right to reproduce this drawing or any part thereof. Except for manufacture by vendors of Atari, Inc., and for manufacture under the corporation's written license, no right is granted to reproduce this drawing or the subject matter thereof, unless by written agreement with or written permission from the corporation.

## Food Fight Main Wiring Diagram— Ireland



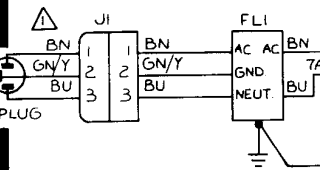
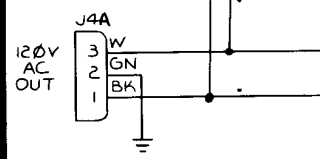
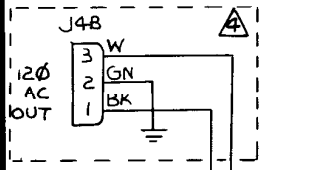
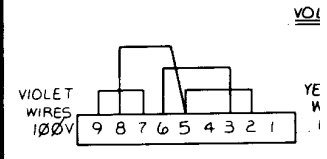
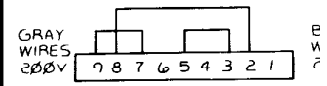
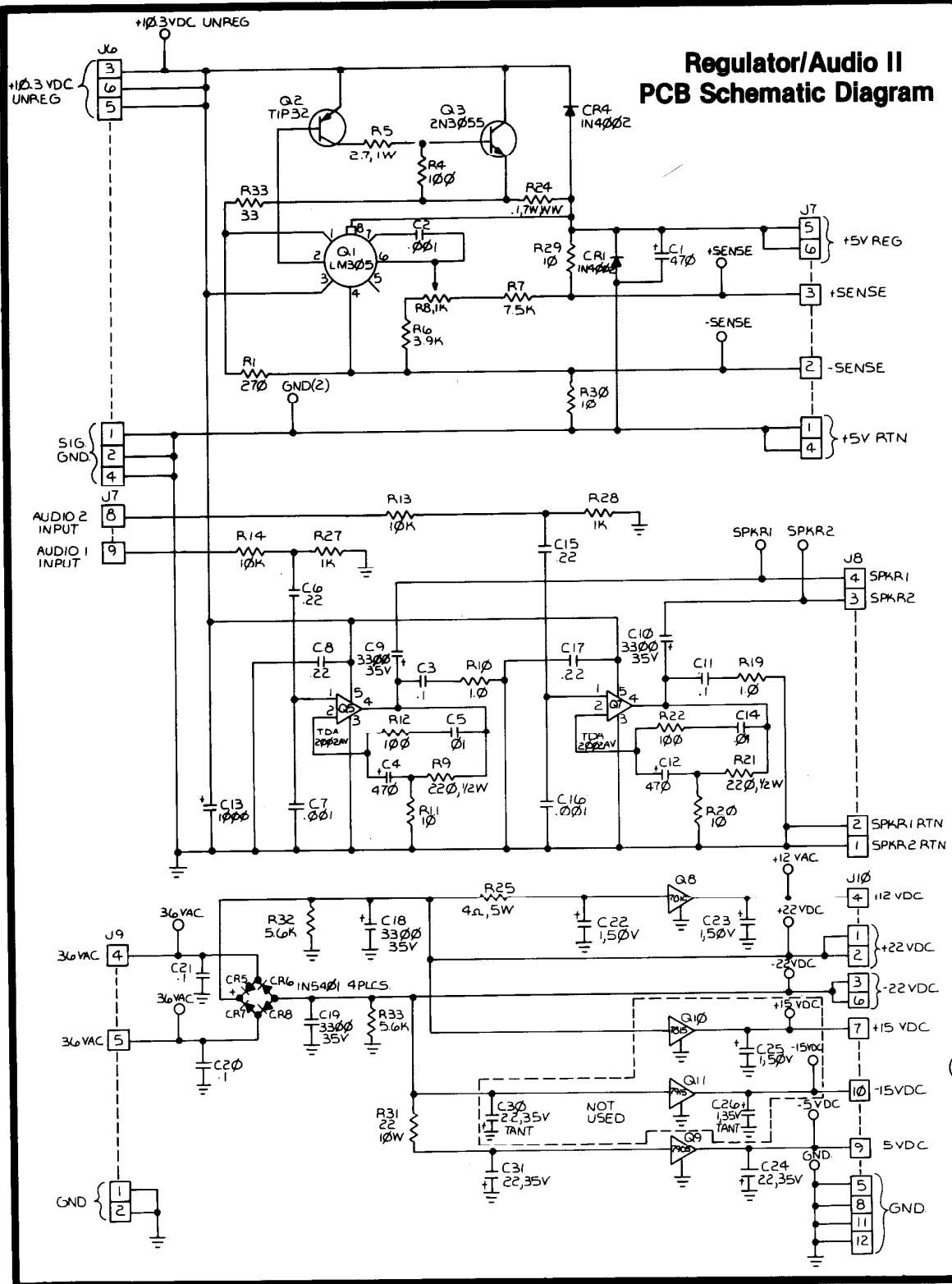
© Atari Inc. 1983  
 A Warner Communications Company

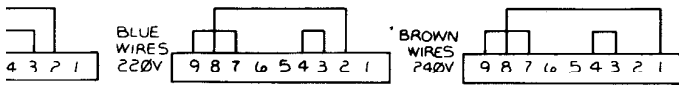
SP-229 Sheet 2A  
 1st Printing

**BASEMENT  
ARCADE**

www.basementarcade.com **CLASSICS**

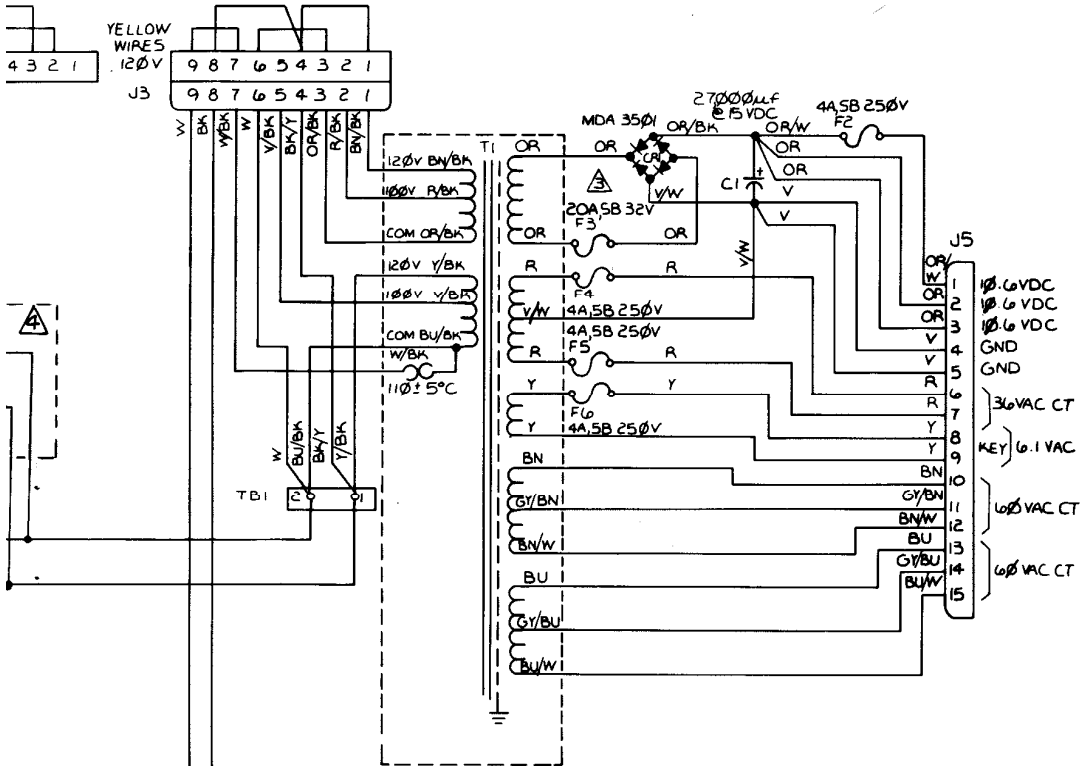
# Regulator/Audio II PCB Schematic Diagram





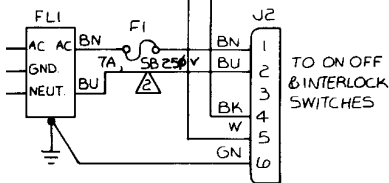
VOLTAGE SELECTION BLOCKS

Color Raster Power Supply Diagram



NOTES:

- ⚠ USE 25 AMP, 5B, 32V FUSE AT F3 FOR -04, -05, & -06 VERSION OF A037671-XX POWER SUPPLY.
- ⚠ J4-B USED IN -07 THROUGH -12 VERSION OF A037671-XX POWER SUPPLY ASSY.
- ⚠ POWER CORD ASSY MAY HAVE WIRE COLORS AS SHOWN OR WIRE COLORS AS FOLLOWS: ONE BLACK WIRE (AC), ONE GREEN WIRE, GND AND ONE WHITE WIRE (NEUTRAL).
- ⚠ USE 4AMP, 5B 250V FUSE AT F1 WITH 220V & 240V (EUROPEAN ONLY)



NOTICE TO ALL PERSONS RECEIVING THIS DRAWING

CONFIDENTIAL: Reproduction forbidden without the specific written permission of Atari, Inc., Sunnyvale, CA. This drawing is only conditionally issued, and neither receipt nor possession thereof confers or transfers any right in, or license to use, the subject matter of the drawing or any design or technical information shown thereon, nor any right to reproduce this drawing or any part thereof. Except for manufacture by vendors of Atari, Inc., and for manufacture under the corporation's written license, no right is granted to reproduce this drawing or the subject matter thereof, unless by written agreement with or written permission from the corporation.

Food Fight Regulator/Audio II PCB and Power Supply Diagrams



A Warner Communications Company

© ATARI INC. 1983

SP-229 Sheet 2B

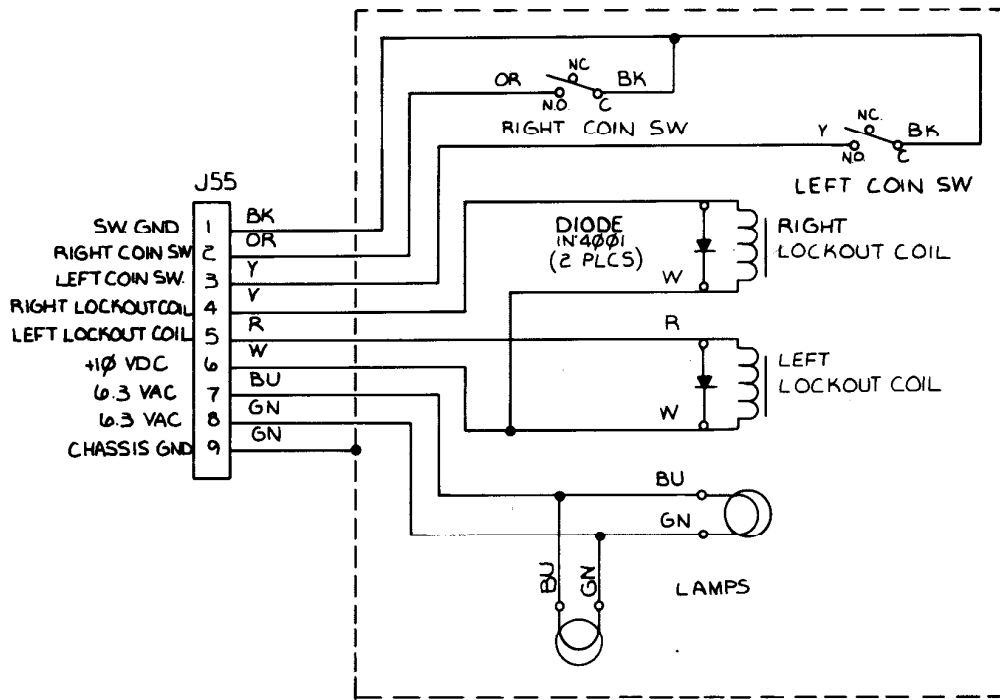
1st Printing

BASEMENT ARCADE

www.basementarcade.com CLASSICS

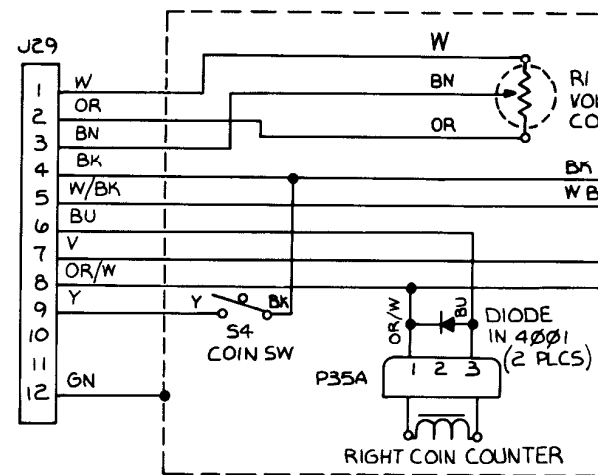


## Coin-Door Wiring Diagram



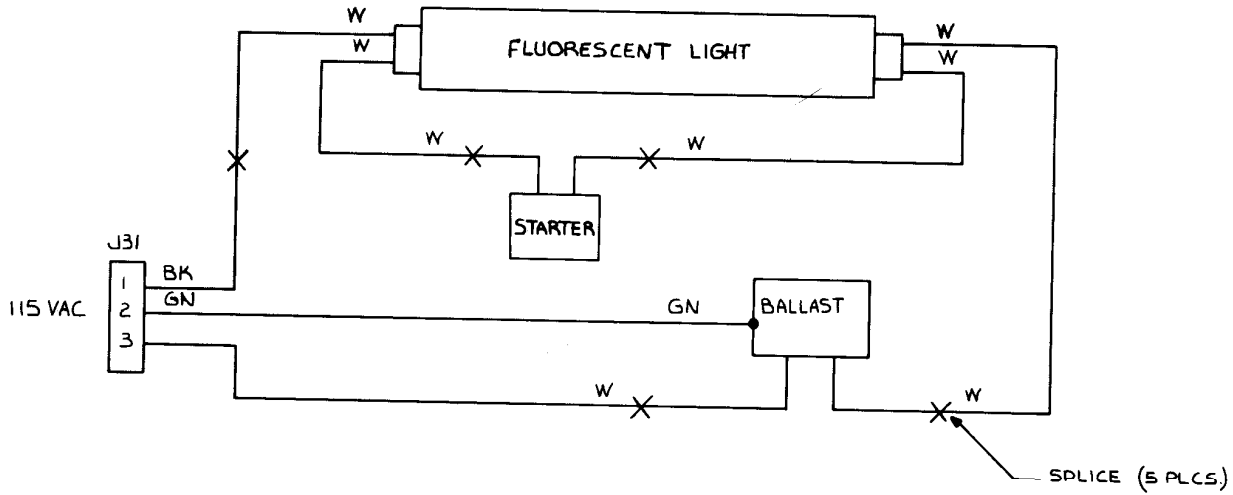
115

## Utility Panel Wiring Diagram

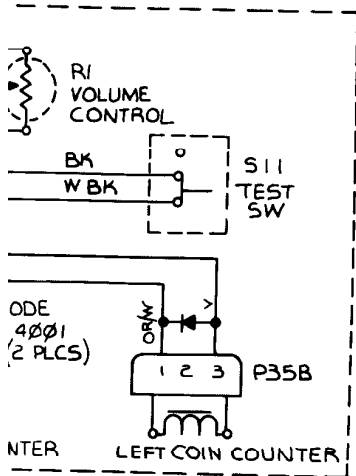


**BASEMENT  
ARCADE  
CLASSICS**

## Fluorescent Light Wiring Diagram



## ng Diagram



### NOTICE TO ALL PERSONS RECEIVING THIS DRAWING

CONFIDENTIAL: Reproduction forbidden without the specific written permission of Atari, Inc., Sunnyvale, CA. This drawing is only conditionally issued, and neither receipt nor possession thereof confers or transfers any right in, or license to use, the subject matter of the drawing or any design or technical information shown thereon, nor any right to reproduce this drawing or any part thereof. Except for manufacture by vendors of Atari, Inc., and for manufacture under the corporation's written license, no right is granted to reproduce this drawing or the subject matter thereof, unless by written agreement with or written permission from the corporation.

## Food Fight Game Wiring Interfaces



A Warner Communications Company

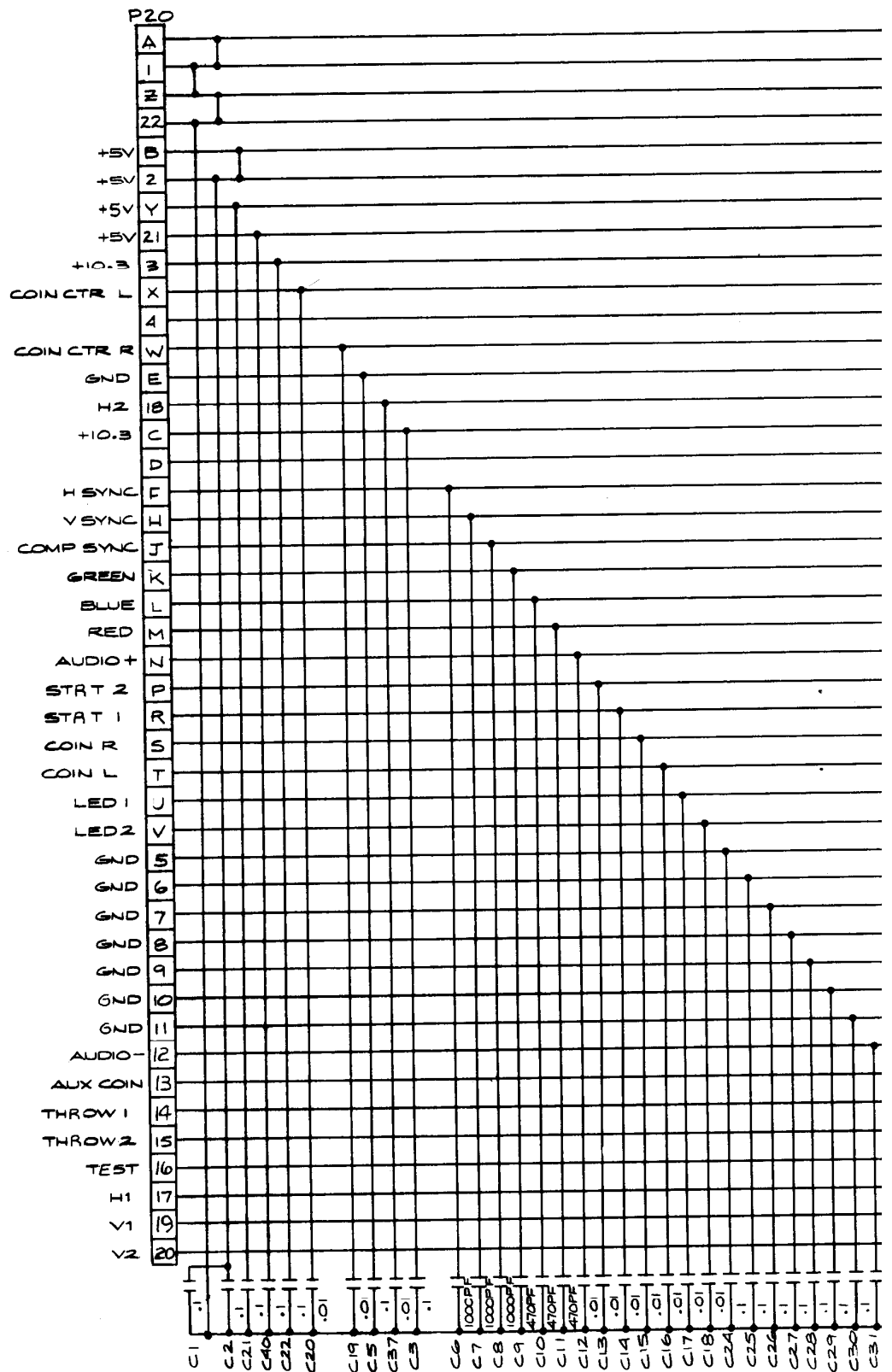
© ATARI INC. 1983

SP-229 Sheet 3A

1st Printing

**BASEMENT  
ARCADE**

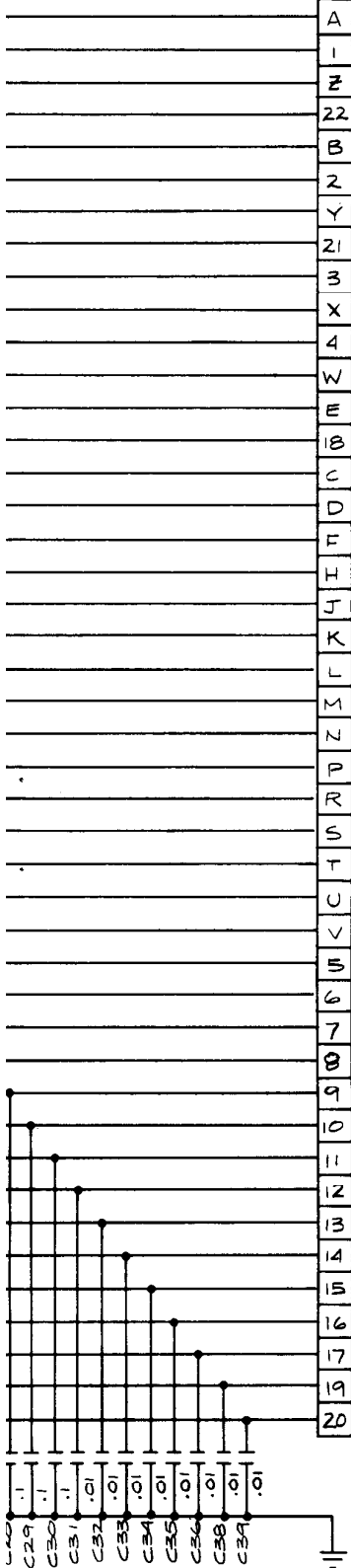
www.basementarcade.com **CLASSICS**



**BASMENT  
ARCADE**

[www.basementarcade.com](http://www.basementarcade.com) **CLASSICS**

J20



**NOTICE TO ALL PERSONS RECEIVING THIS DRAWING**

CONFIDENTIAL: Reproduction forbidden without the specific written permission of Atari, Inc., Sunnyvale, CA. This drawing is only conditionally issued, and neither receipt nor possession thereof confers or transfers any right in, or license to use, the subject matter of the drawing or any design or technical information shown thereon, nor any right to reproduce this drawing or any part thereof. Except for manufacture by vendors of Atari, Inc., and for manufacture under the corporation's written license, no right is granted to reproduce this drawing or the subject matter thereof, unless by written agreement with or written permission from the corporation.

**EMI Shield Schematic Diagram**



© A Warner Communications Company

© ATARI INC. 1983

SP-229 Sheet 3B  
1st Printing

**BASEMENT ARCADE**

# MEMORY I

HEXADECIMAL ADDRESS	ADDRESS BUS SIGNAL LINES																									
	A23	A22	A21	A20	A19	A18	A17	A16	A15	A14	A13	A12	A11	A10	A9	A8	A7	A6	A5	A4	A3	A2	A1	A0		
000000-00FFFF	0	0	0	0	0	0	0	0	A	A	A	A	A	A	A	A	A	A	A	A	A	A	A	A		
014000-01BFFF	0	0	0	0	0	0	0	1	0	1	A	A	A	A	A	A	A	A	A	A	A	A	A	A		
01C000-01C0FF	0	0	0	0	0	0	0	1	1	1	0	0	0	0	0	0	A	A	A	A	A	A	A	A		
																								0	0	
																								0	1	
																								1	0	
																								1	0	
800000-8007FF	1	0	0	0	0	0	0	0	0	0	0	0	0	A	A	A	A	A	A	A	A	A	A	A		
900000-9001FF	1	0	0	1	0	0	0	0	0	0	0	0	0	0	0	A	A	A	A	A	A	A	A	A		
940000-940007	1	0	0	1	0	1	0	0	0	0	0	0	0	0	0	0	0	0	0	0	0	0	A	A		
944000-944007									0	0	1	0	0	0	0	0	0	0	0	0	0	0	A	A		
948000									0	1	0															
950000-9503FF	1	0	0	1	0	1	0	1	0	0	0	0	0	0	A	A	A	A	A	A	A	A	A	A		
954000									1	0	1															
958000									1	1	0															
A40000-A4001F	1	0	1	0	0	1	0	0	0	0	0	0	0	0	0	0	0	0	0	0	A	A	A	A		
A80000-A8001F	1	0	1	0	1	0	0	0	0	0	0	0	0	0	0	0	0	0	0	0	A	A	A	A		
	1	0	1	0	1	1	0	0	0	0	0	0	0	0	0	0	0	0	0	0	A	A	A	A		
000000-7FFFFFFF	0	A	A	A	A	A	A	A	A	A	A	A	A	A	A	A	A	A	A	A	A	A	A	A		
940000-97FFFFFFF	1	0	0	1	0	1	A	A	A	A	A	A	A	A	A	A	A	A	A	A	A	A	A	A		

# DRY MAP

			RW	DATA BUS SIGNAL LINES													FUNCTION		
A2	A1	A0		D15	D14	D13	D12	D11	D10	D9	D8	D7	D6	D5	D4	D3		D2	D1
A	A	A	R	D	D	D	D	D	D	D	D	D	D	D	D	D	D	D	PROGRAM ROM
A	A	A	RW	D	D	D	D	D	D	D	D	D	D	D	D	D	D	D	PROGRAM RAM
A	A	A	RW	D	D	D	D	D	D	D	D	D	D	D	D	D	D	D	PROGRAM RAM
A	A	A	RW	D	D	D	D	D	D	D	D	D	D	D	D	D	D	D	MOTION OBJECT RAM
	0	0																	VERTICAL POSITION
	0	1		D	D	D	D	D	D	D									HORIZONTAL POSITION
	1	0								D	D	D	D	D	D	D			PICTURE
	1	0		D	D	D	D	D	D	D									COLOR
A	A	A	RW	D	D	D	D	D	D	D	D	D	D	D	D	D	D	D	PLAYFIELD
A	A	A	RW												D	D	D	D	NVRAM
A	A	A	R								D	D	D	D	D	D			ANALOG IN
A	A	A	R																ANALOG OUT
			R															D	COIN 1 (DIGITAL IN)
			R															D	COIN 2
			R													D			START 1
			R												D				START 2
			R											D					COIN AUX
			R																THROW 1
			R																THROW 2
			R																TEST
			W															D	PFFLIP
			W															D	UPDATE
			W														D		INT3RST
			W																INT4RST
			W																LED 1
			W																LED 2
			W																COUNTERL
			W																COUNTERR
A	A	A	W								D	D	D	D	D	D	D	D	COLORAM
			W																RECALL
			W																WATCHDOG
A	A	A	RW								D	D	D	D	D	D	D	D	AUDIO 1
A	A	A	RW								D	D	D	D	D	D	D	D	AUDIO 0
A	A	A	RW								D	D	D	D	D	D	D	D	AUDIO 2
A	A	A	RW																DTACK
A	A	A	RW																VPA

**NOTICE TO ALL PERSONS RECEIVING THIS DRAWING**

CONFIDENTIAL: Reproduction forbidden without the specific written permission of Atari, Inc., Sunnyvale, CA. This drawing is only conditionally issued, and neither receipt nor possession thereof confers or transfers any right in, or license to use, the subject matter of the drawing or any design or technical information shown thereon, nor any right to reproduce this drawing or any part thereof. Except for manufacture by vendors of Atari, Inc., and for manufacture under the corporation's written license, no right is granted to reproduce this drawing or the subject matter thereof, unless by written agreement with or written permission from the corporation.

## Food Fight Memory Map

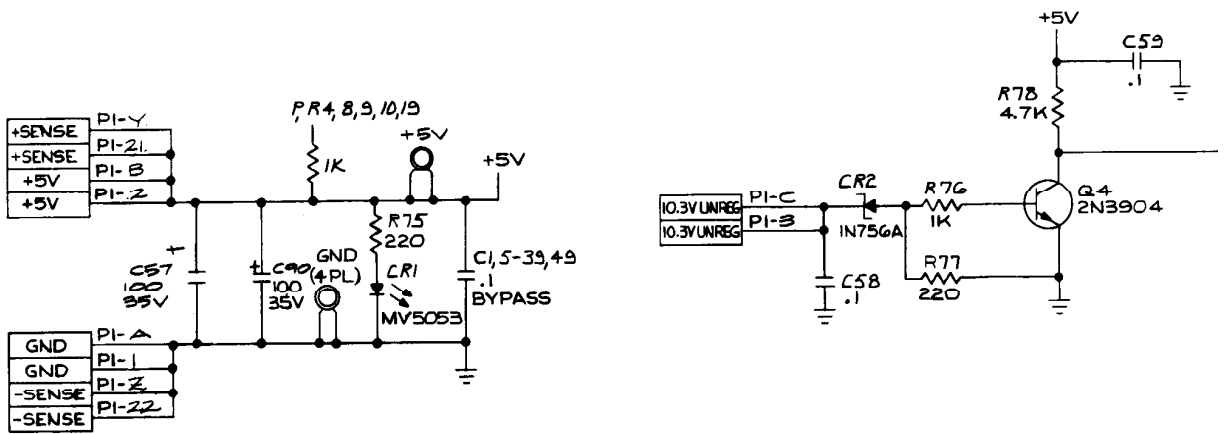
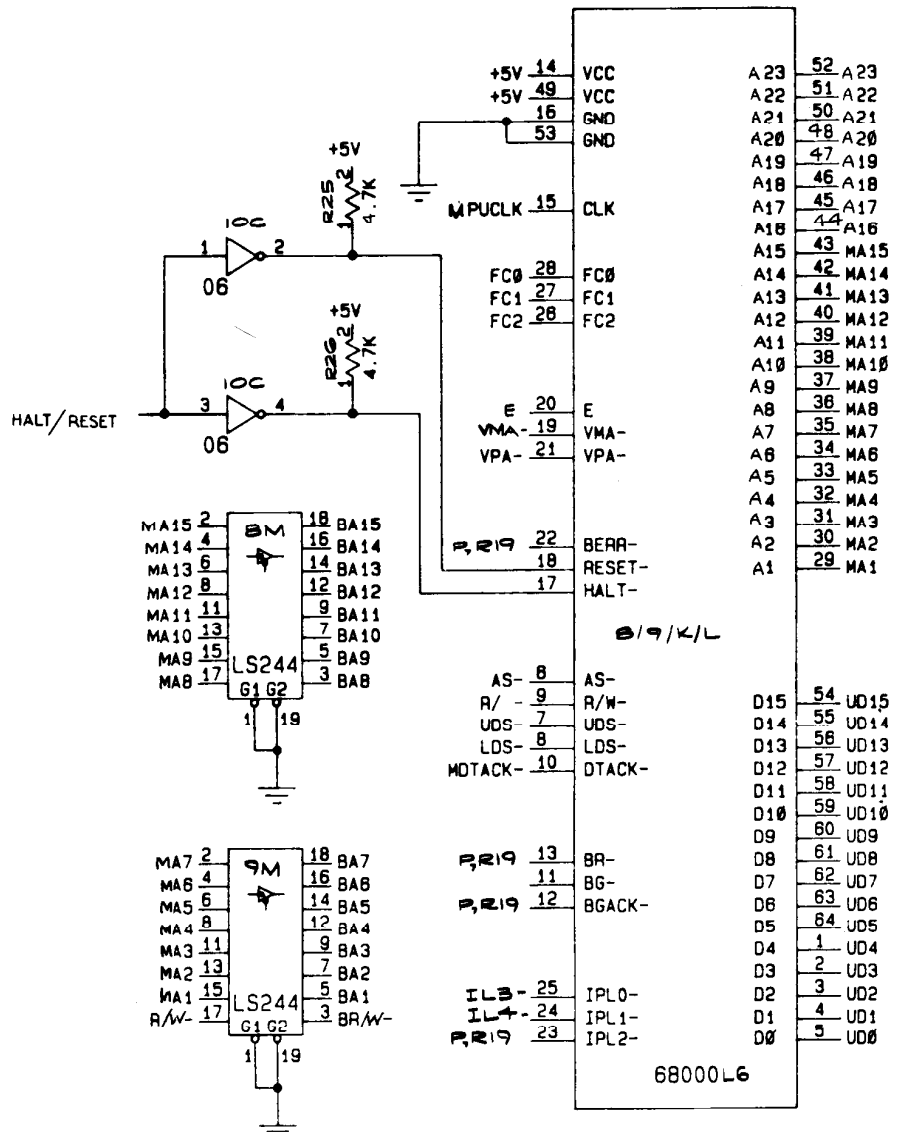


© ATARI INC. 1983

SP-229 Sheet 4A  
1st Printing

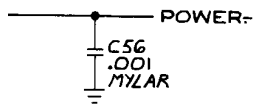
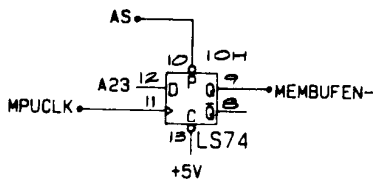
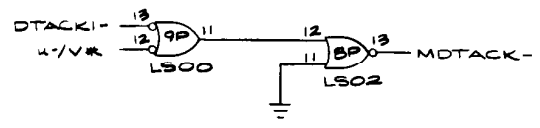
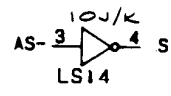
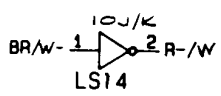
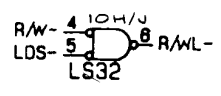
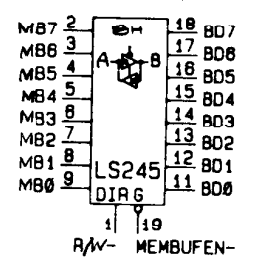
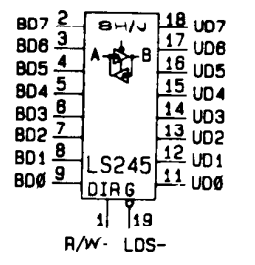
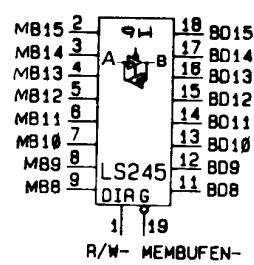
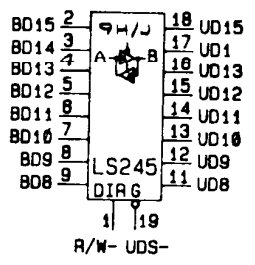
**BASEMENT ARCADE CLASSICS**

[www.basementarcade.com](http://www.basementarcade.com)



-A23  
-A22  
-A21  
-A20  
-A19  
-A18  
-A17  
-A16  
-MA15  
-MA14  
-MA13  
-MA12  
-MA11  
-MA10  
-MA9  
-MA8  
-MA7  
-MA6  
-MA5  
-MA4  
-MA3  
-MA2  
-MA1

UD15  
UD14  
UD13  
UD12  
UD11  
UD10  
UD9  
UD8  
UD7  
UD6  
UD5  
UD4  
UD3  
UD2  
UD1  
UD0



**NOTICE TO ALL PERSONS RECEIVING THIS DRAWING**  
 CONFIDENTIAL: Reproduction forbidden without the specific written permission of Atari, Inc., Sunnyvale, CA. This drawing is only conditionally issued, and neither receipt nor possession thereof confers or transfers any right in, or license to use, the subject matter of the drawing or any design or technical information shown thereon, nor any right to reproduce this drawing or any part thereof. Except for manufacture by vendors of Atari, Inc., and for manufacture under the corporation's written license, no right is granted to reproduce this drawing or the subject matter thereof, unless by written agreement with or written permission from the corporation.

## Food Fight Power/Ground and CPU Schematic Diagram



© Atari Inc. 1983  
 A Warner Communications Company

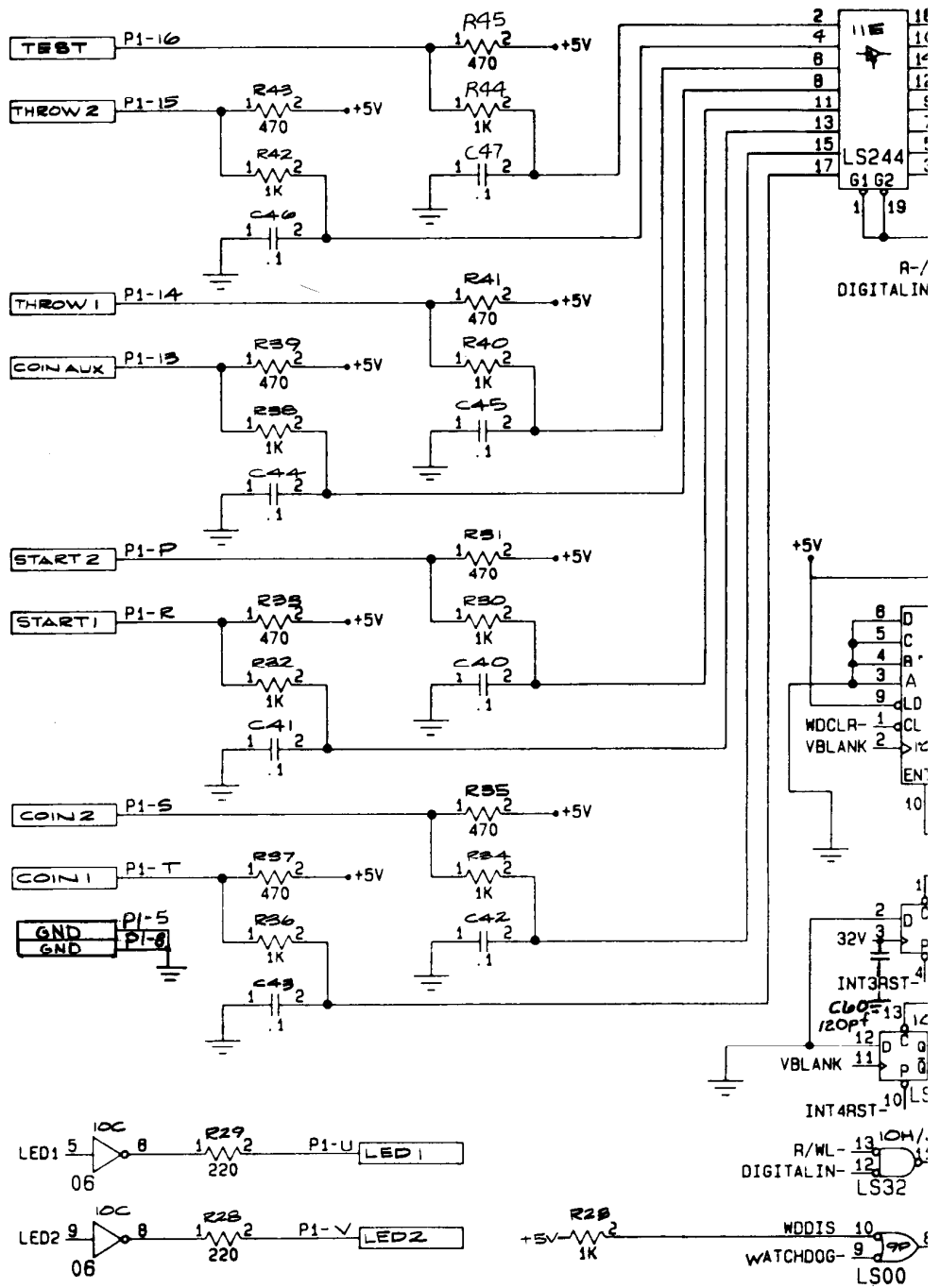
© ATARI INC. 1983

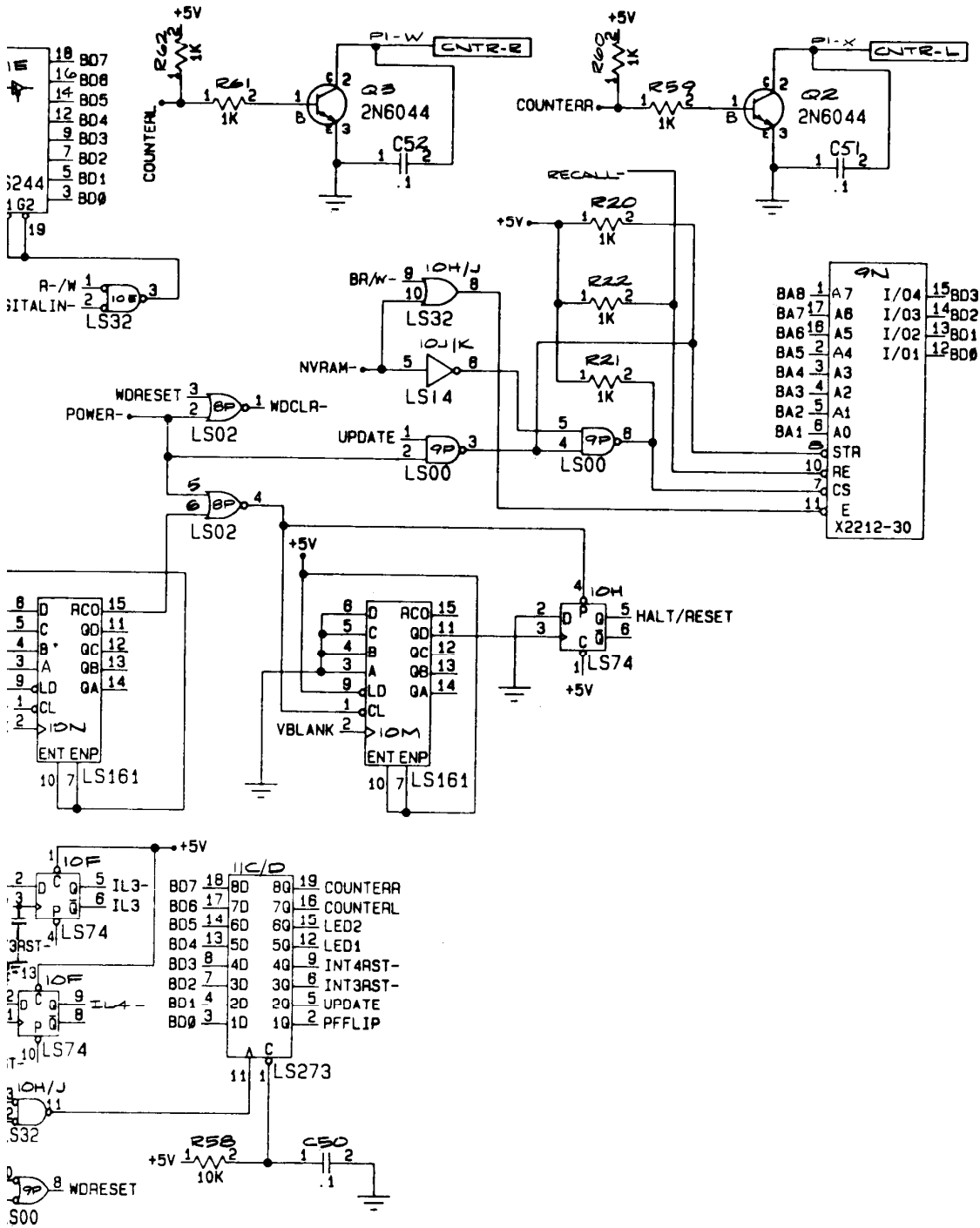
SP-229 Sheet 4B  
 1st Printing

**BASEMENT ARCADE**

www.basementarcade.com **CLASSICS**







**NOTICE TO ALL PERSONS RECEIVING THIS DRAWING**  
 CONFIDENTIAL: Reproduction forbidden without the specific written permission of Atari, Inc., Sunnyvale, CA. This drawing is only conditionally issued, and neither receipt nor possession thereof confers or transfers any right in, or license to use, the subject matter of this drawing or any design or technical information shown thereon, nor any right to reproduce this drawing or any part thereof. Except for manufacture by vendors of Atari, Inc., and for manufacture under the corporation's written license, no right is granted to reproduce this drawing or the subject matter thereof, unless by written agreement with or written permission from the corporation.

### Food Fight Reset and Digital I/O Schematic Diagram

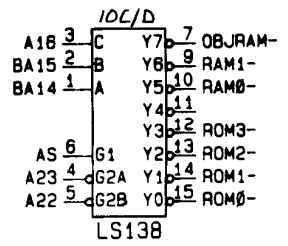
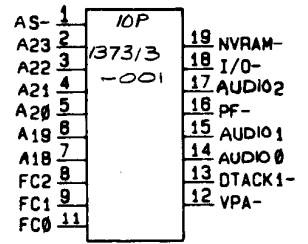


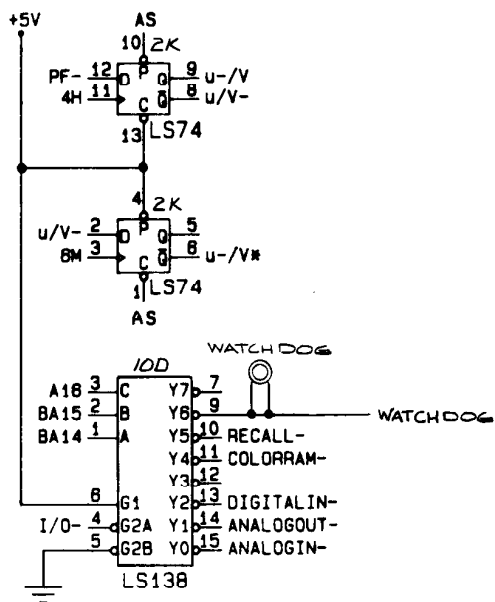
© ATARI INC. 1983

SP-229 Sheet 5A  
 1st Printing

A Warner Communications Company

**BASEMENT ARCADE**





**NOTICE TO ALL PERSONS RECEIVING THIS DRAWING**

CONFIDENTIAL: Reproduction forbidden without the specific written permission of Atari, Inc., Sunnyvale, CA. This drawing is only conditionally issued, and neither receipt nor possession thereof confers or transfers any right in, or license to use, the subject matter of the drawing or any design or technical information shown thereon, nor any right to reproduce this drawing or any part thereof. Except for manufacture by vendors of Atari, Inc., and for manufacture under the corporation's written license, no right is granted to reproduce this drawing or the subject matter thereof, unless by written agreement with or written permission from the corporation.

**Food Fight Address Decoder Schematic Diagram**

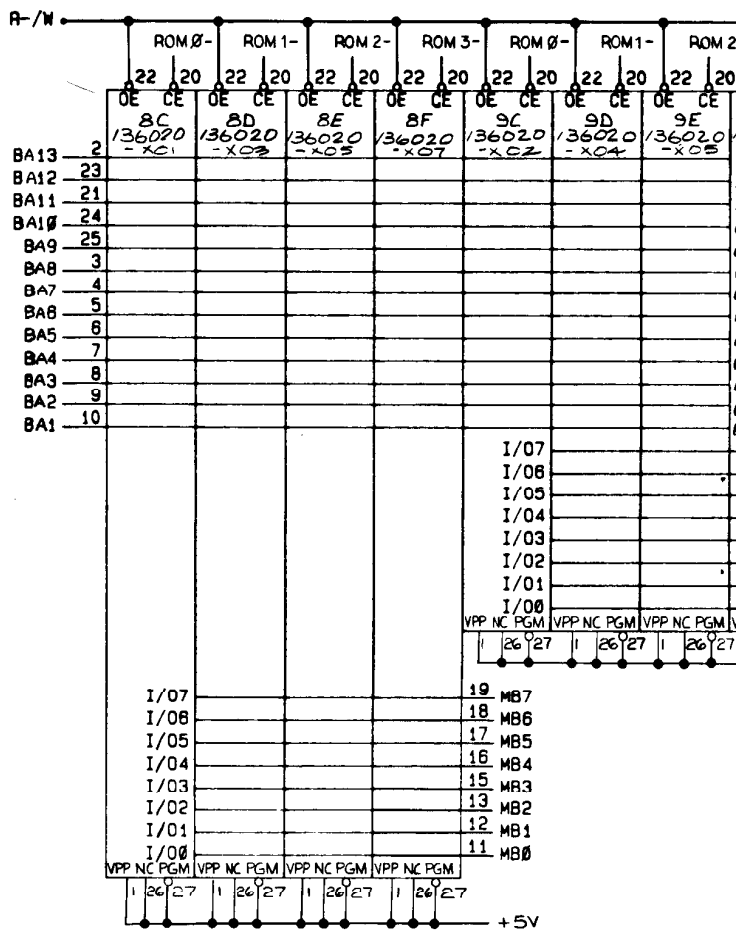


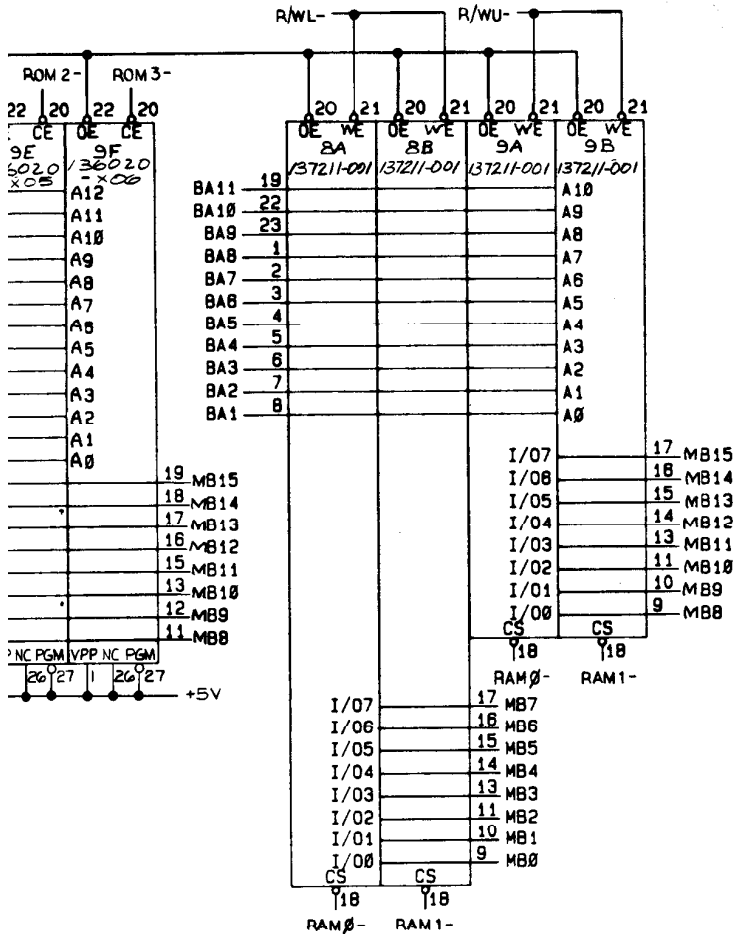
© A Warner Communications Company

© ATARI INC. 1983

SP-229 Sheet 5B  
1st Printing

**BASEMENT  
ARCADE  
CLASSICS**





**NOTICE TO ALL PERSONS RECEIVING THIS DRAWING**

CONFIDENTIAL: Reproduction forbidden without the specific written permission of Atari, Inc., Sunnyvale, CA. This drawing is only conditionally issued, and neither receipt nor possession thereof confers or transfers any right in, or license to use, the subject matter of the drawing or any design or technical information shown thereon, nor any right to reproduce this drawing or any part thereof. Except for manufacture by vendors of Atari, Inc., and for manufacture under the corporation's written license, no right is granted to reproduce this drawing or the subject matter thereof, unless by written agreement with or written permission from the corporation.

**Food Fight Memory Schematic Diagram**



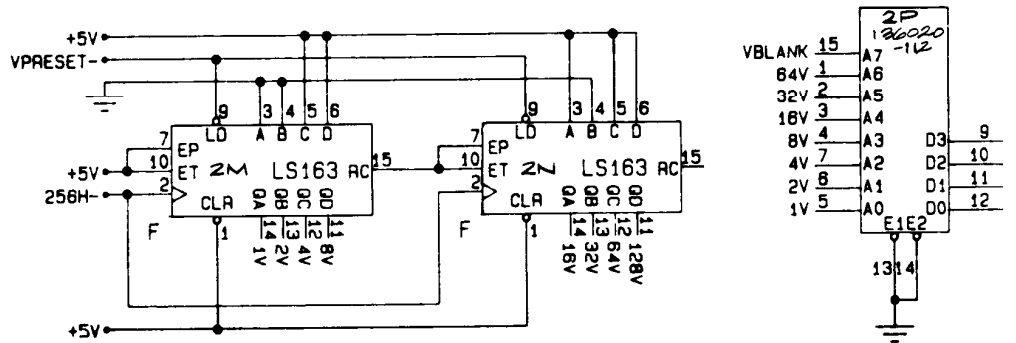
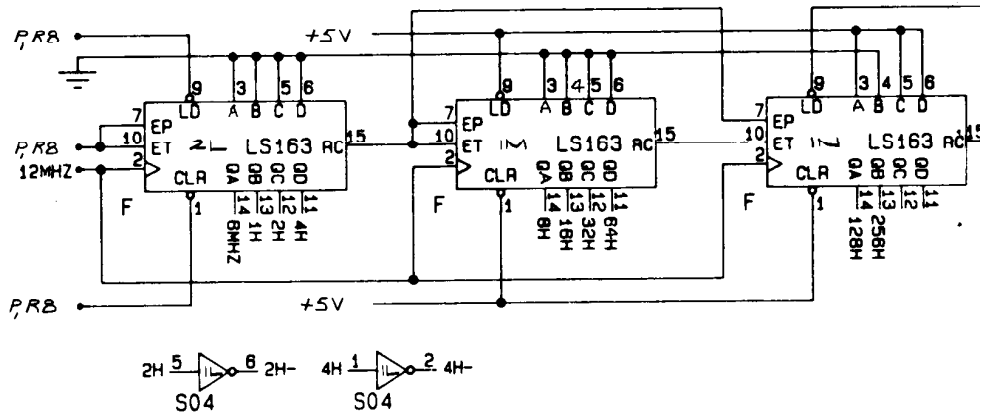
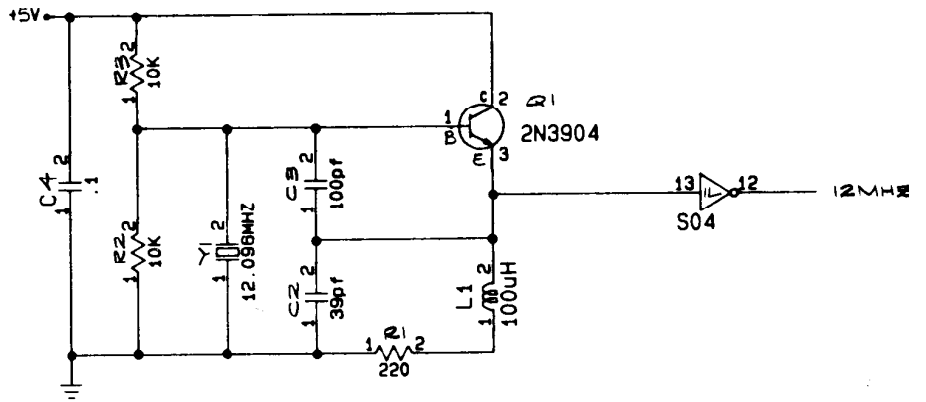
A Warner Communications Company

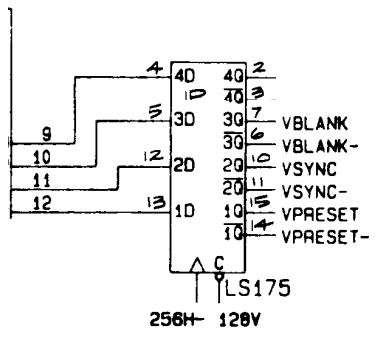
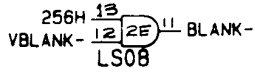
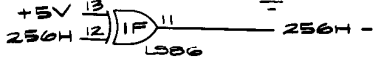
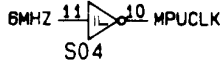
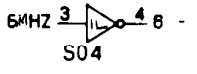
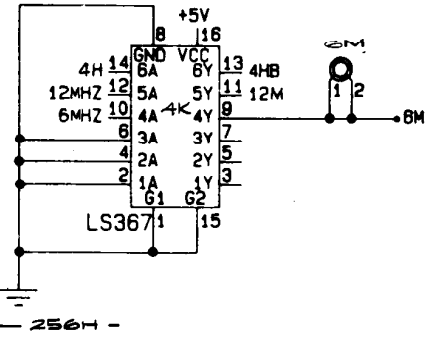
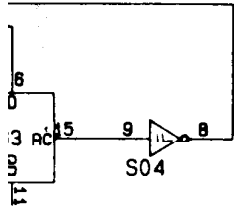
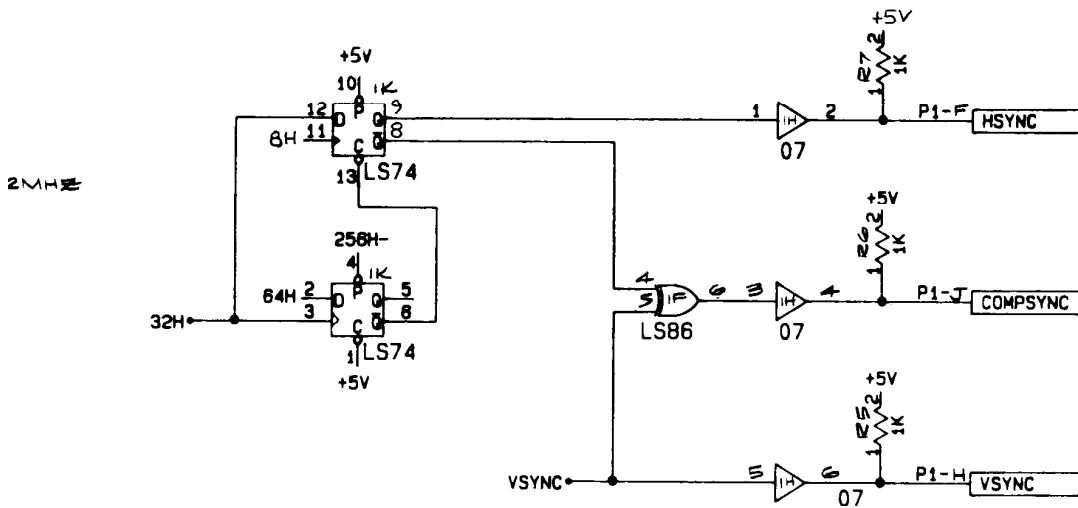
© ATARI INC. 1983

SP-229 Sheet 6A  
1st Printing

**BASEMENT  
ARCADE  
CLASSES**

www.basementarcade.com





**NOTICE TO ALL PERSONS RECEIVING THIS DRAWING**

CONFIDENTIAL: Reproduction forbidden without the specific written permission of Atari, Inc., Sunnyvale, CA. This drawing is only conditionally issued, and neither receipt nor possession thereof confers or transfers any right in, or license to use, the subject matter of the drawing or any design or technical information shown thereon, nor any right to reproduce this drawing or any part thereof. Except for manufacture by vendors of Atari, Inc., and for manufacture under the corporation's written license, no right is granted to reproduce this drawing or the subject matter thereof, unless by written agreement with or written permission from the corporation.

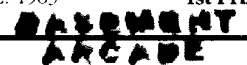
## Food Fight Sync Schematic Diagram



A Warner Communications Company

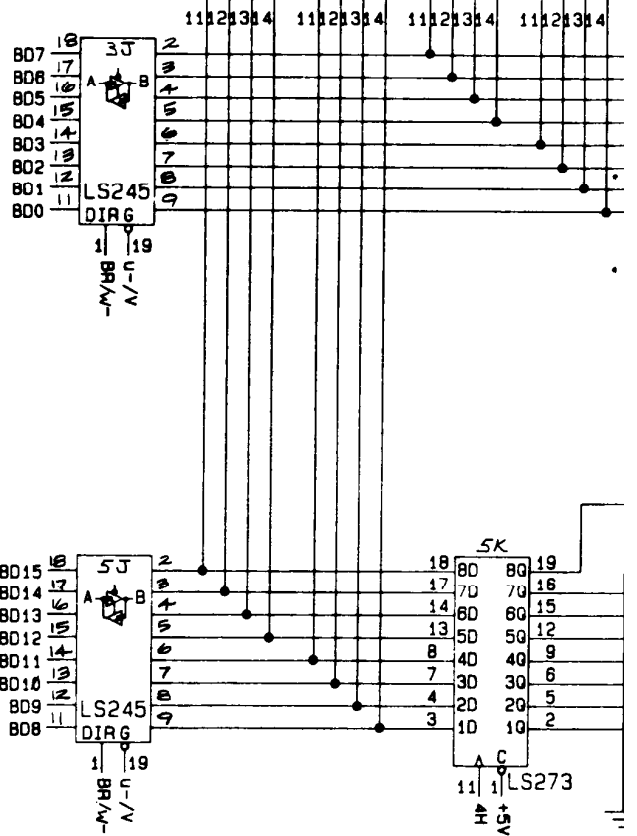
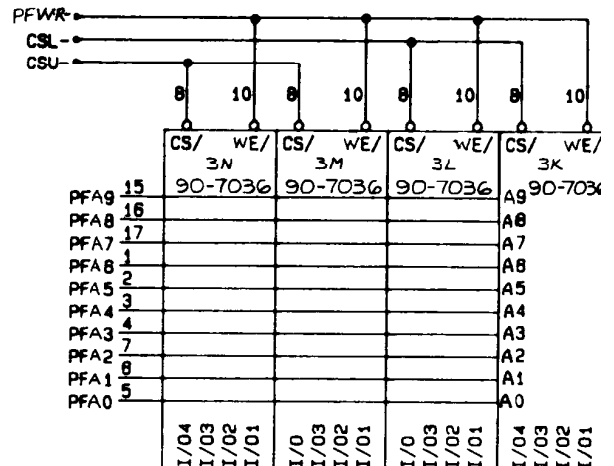
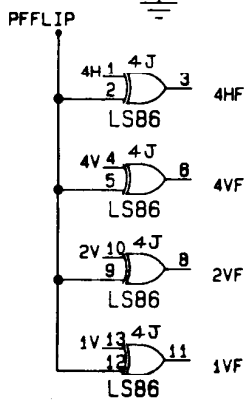
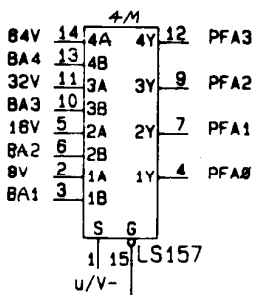
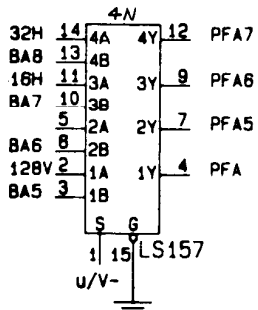
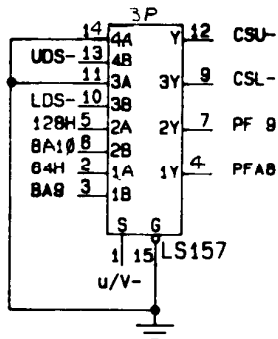
© ATARI INC. 1983

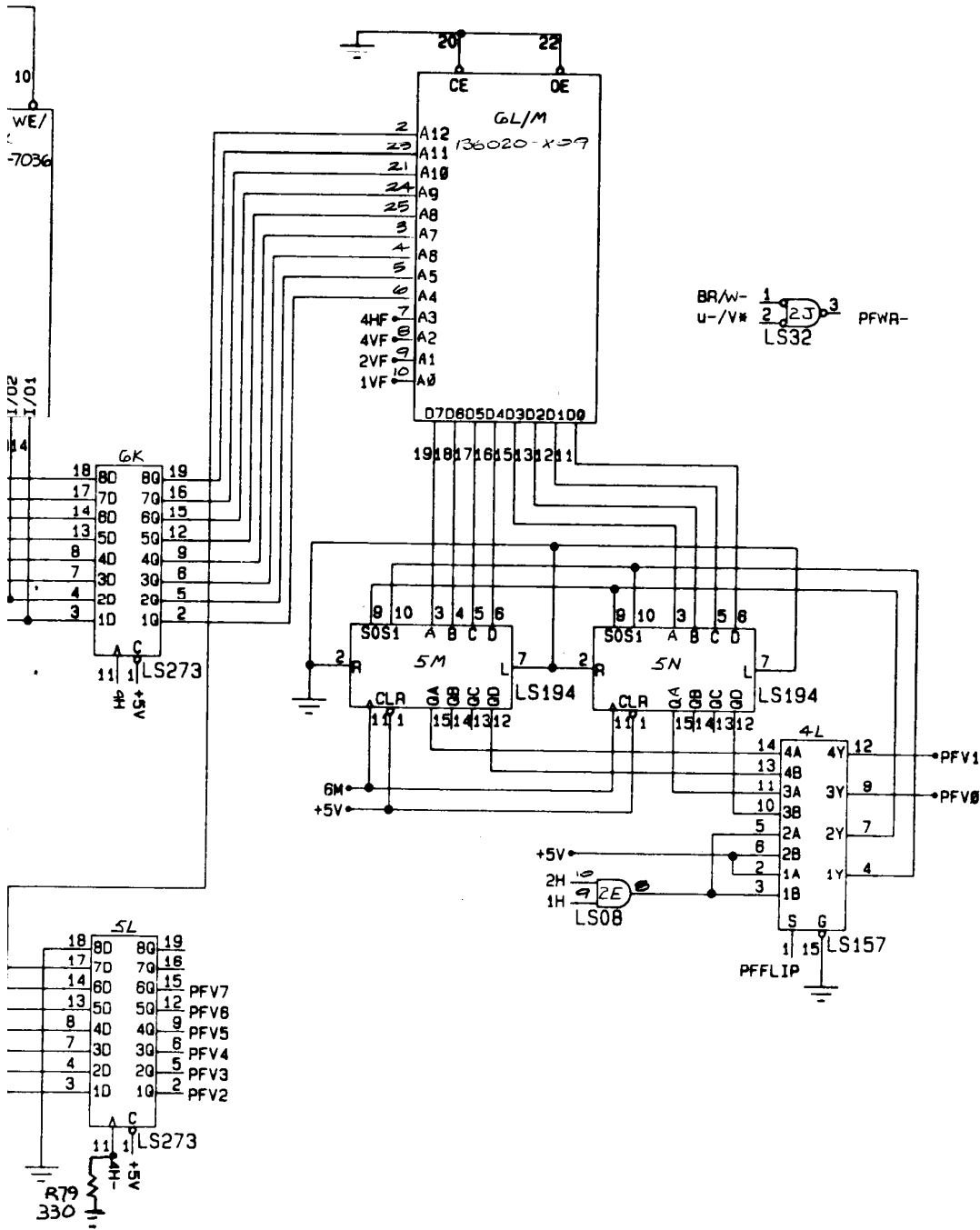
SP-229 Sheet 6B  
1st Printing



www.basementarcade.com 04A8808







**NOTICE TO ALL PERSONS RECEIVING THIS DRAWING**

CONFIDENTIAL: Reproduction forbidden without the specific written permission of Atari, Inc., Sunnyvale, CA. This drawing is only conditionally issued, and neither receipt nor possession thereof confers or transfers any right in, or license to use, the subject matter of the drawing or any design or technical information shown thereon, nor any right to reproduce this drawing or any part thereof. Except for manufacture by vendors of Atari, Inc., and for manufacture under the corporation's written license, no right is granted to reproduce this drawing or the subject matter thereof, unless by written agreement with or written permission from the corporation.

**Food Fight Playfield RAM/ROM Schematic Diagram**



A Warner Communications Company

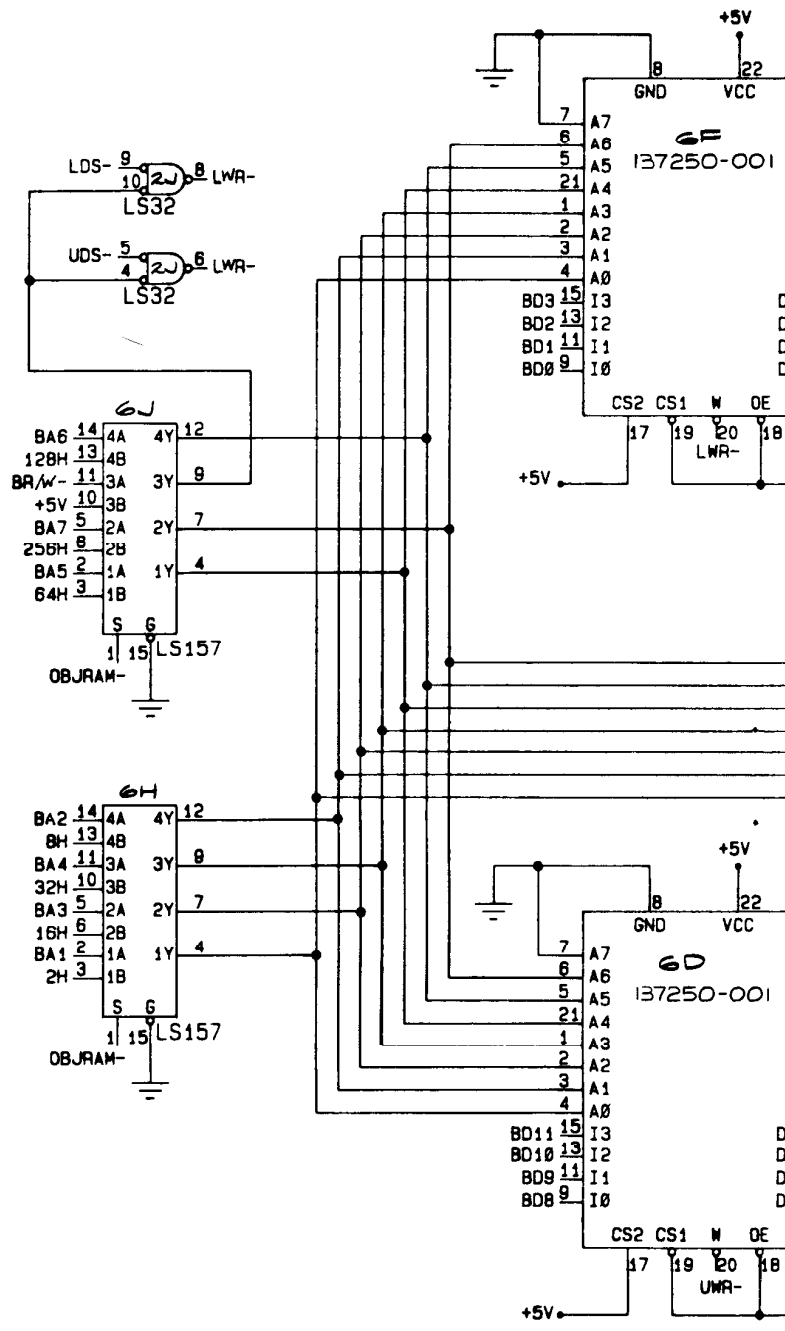
© ATARI INC. 1983

SP-229 Sheet 7A

1st Printing

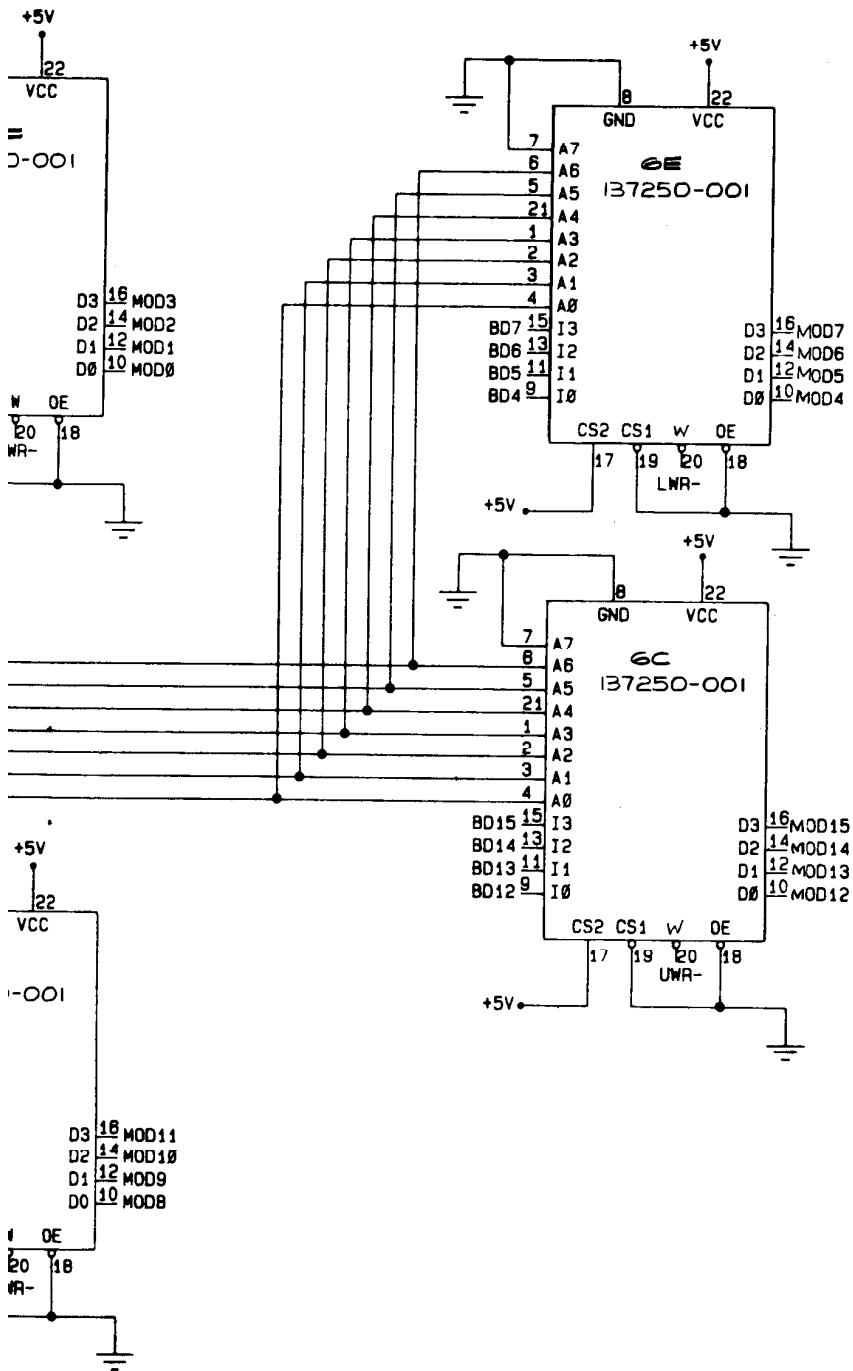
**BASEMENT ARCADE**

www.basementarcade.com 04A8888



**BASEMENT  
ARCADE**

[www.basementarcade.com](http://www.basementarcade.com) **CLASSICS**



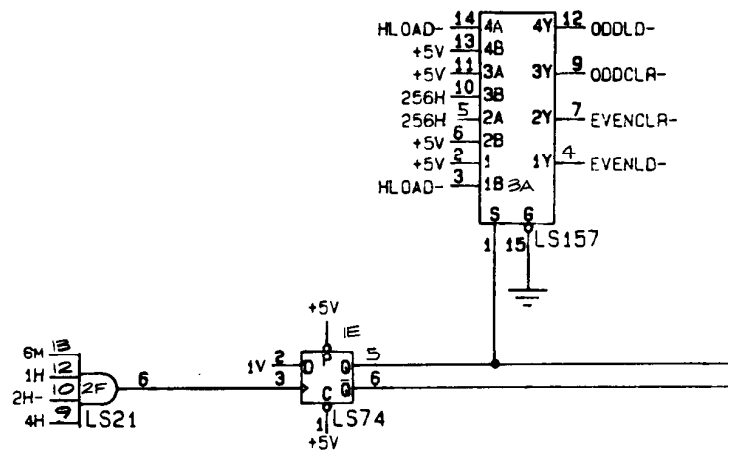
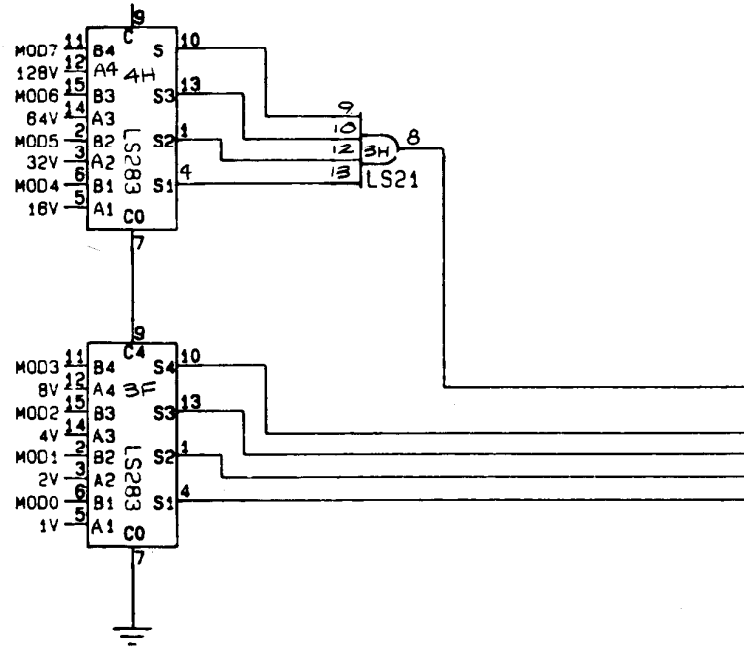
**NOTICE TO ALL PERSONS RECEIVING THIS DRAWING**  
 CONFIDENTIAL: Reproduction forbidden without the specific written permission of Atari, Inc., Sunnyvale, CA. This drawing is only conditionally issued, and neither receipt nor possession thereof confers or transfers any right in, or license to use, the subject matter of the drawing or any design or technical information shown thereon, nor any right to reproduce this drawing or any part thereof. Except for manufacture by vendors of Atari, Inc., and for manufacture under the corporation's written license, no right is granted to reproduce this drawing or the subject matter thereof, unless by written agreement with or written permission from the corporation.

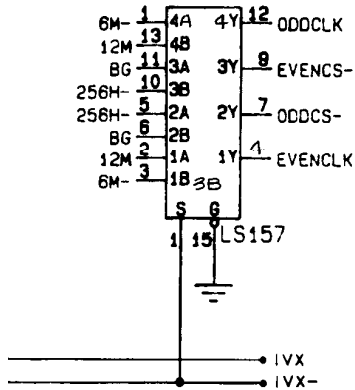
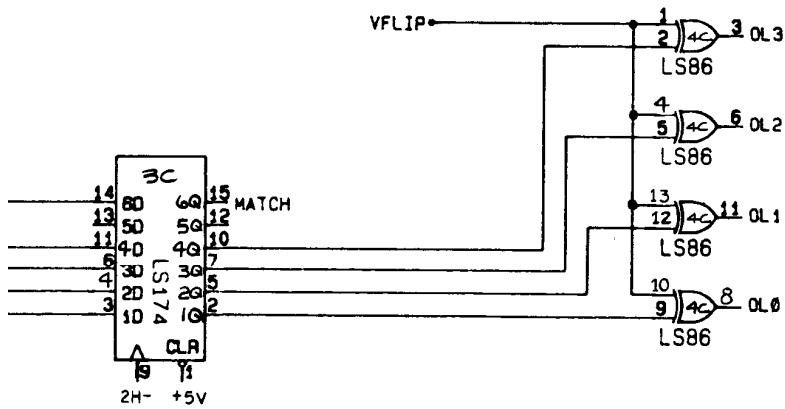
**Food Fight Motion Object RAM Schematic Diagram**

**ATARI®**

SP-229 Sheet 7B  
1st Printing

© ATARI INC. 1983  
A Warner Communications Company





**NOTICE TO ALL PERSONS RECEIVING THIS DRAWING**

CONFIDENTIAL: Reproduction forbidden without the specific written permission of Atari, Inc., Sunnyvale, CA. This drawing is only conditionally issued, and neither receipt nor possession thereof confers or transfers any right in, or license to use, the subject matter of the drawing or any design or technical information shown thereon, nor any right to reproduce this drawing or any part thereof. Except for manufacture by vendors of Atari, Inc., and for manufacture under the corporation's written license, no right is granted to reproduce this drawing or the subject matter thereof, unless by written agreement with or written permission from the corporation.

**Food Fight Vertical Position Schematic Diagram**



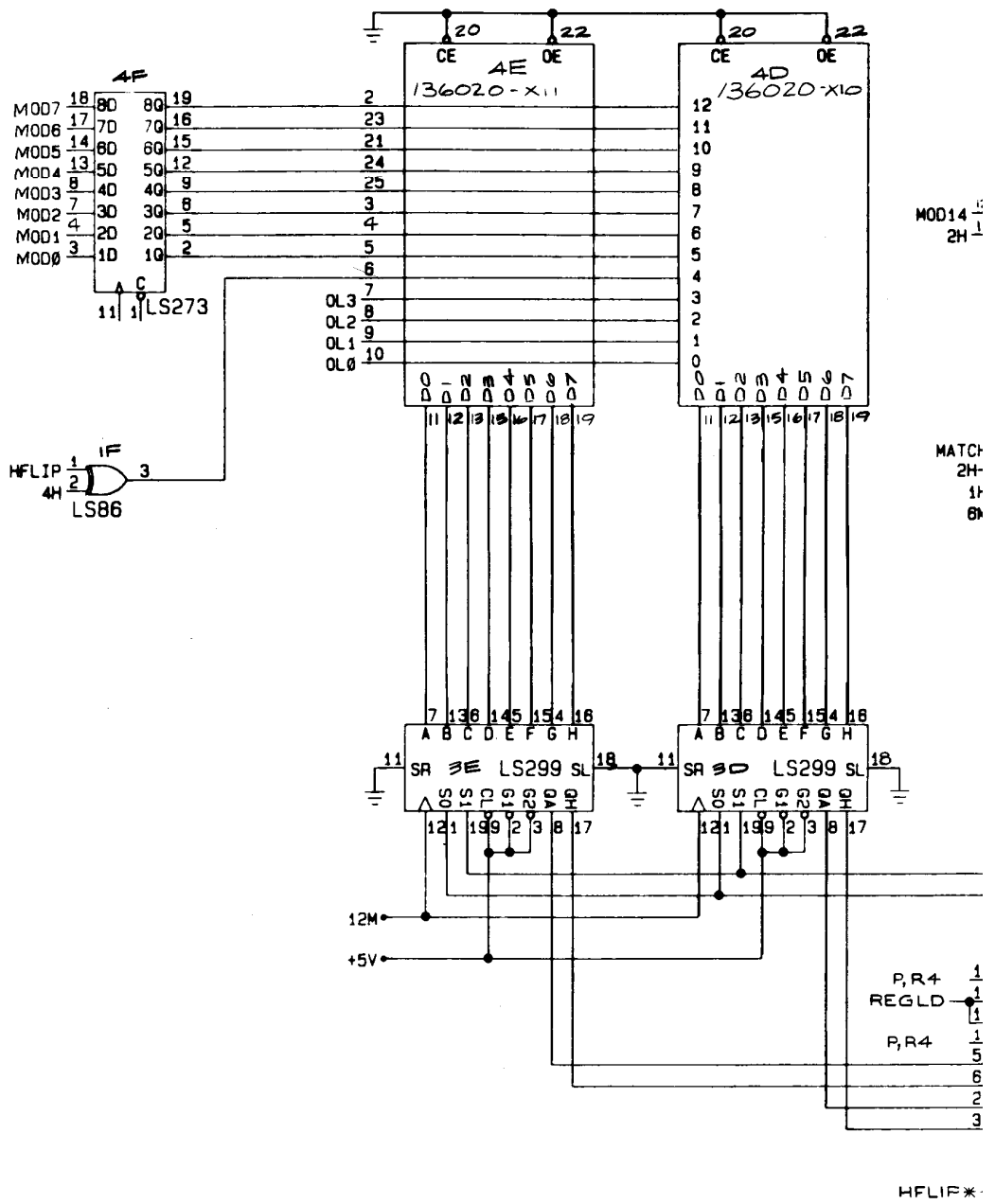
A Warner Communications Company

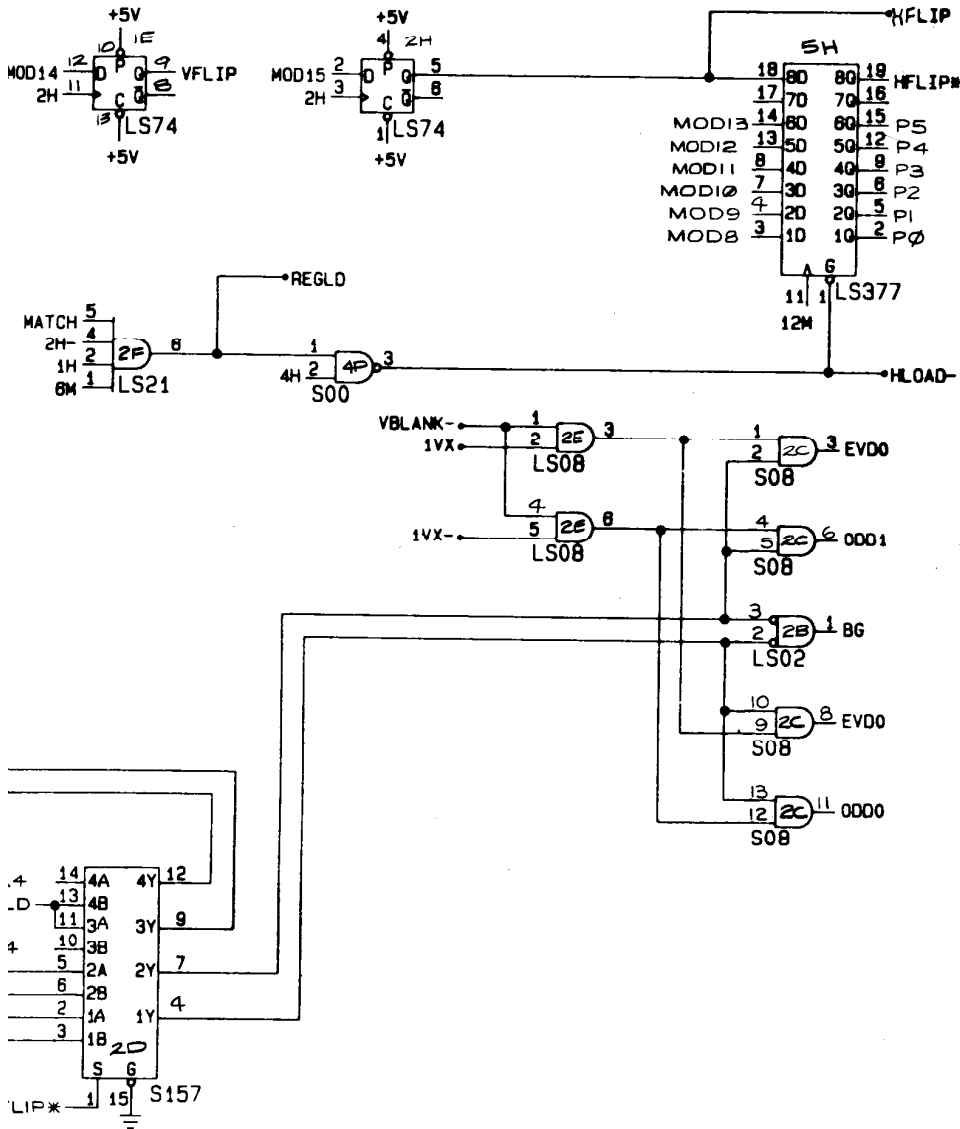
© ATARI INC. 1983

SP-229 Sheet 8A  
1st Printing

**BASEMENT  
ARCADE**

www.basementarcade.com **CLASSICS**





**NOTICE TO ALL PERSONS RECEIVING THIS DRAWING**

CONFIDENTIAL: Reproduction forbidden without the specific written permission of Atari, Inc., Sunnyvale, CA. This drawing is only conditionally issued, and neither receipt nor possession thereof confers or transfers any right in, or license to use, the subject matter of the drawing or any design or technical information shown thereon, nor any right to reproduce this drawing or any part thereof. Except for manufacture by vendors of Atari, Inc., and for manufacture under the corporation's written license, no right is granted to reproduce this drawing or the subject matter thereof, unless by written agreement with or written permission from the corporation.

**Food Fight Motion-Object ROM Schematic Diagram**



© A Warner Communications Company

© ATARI INC. 1983

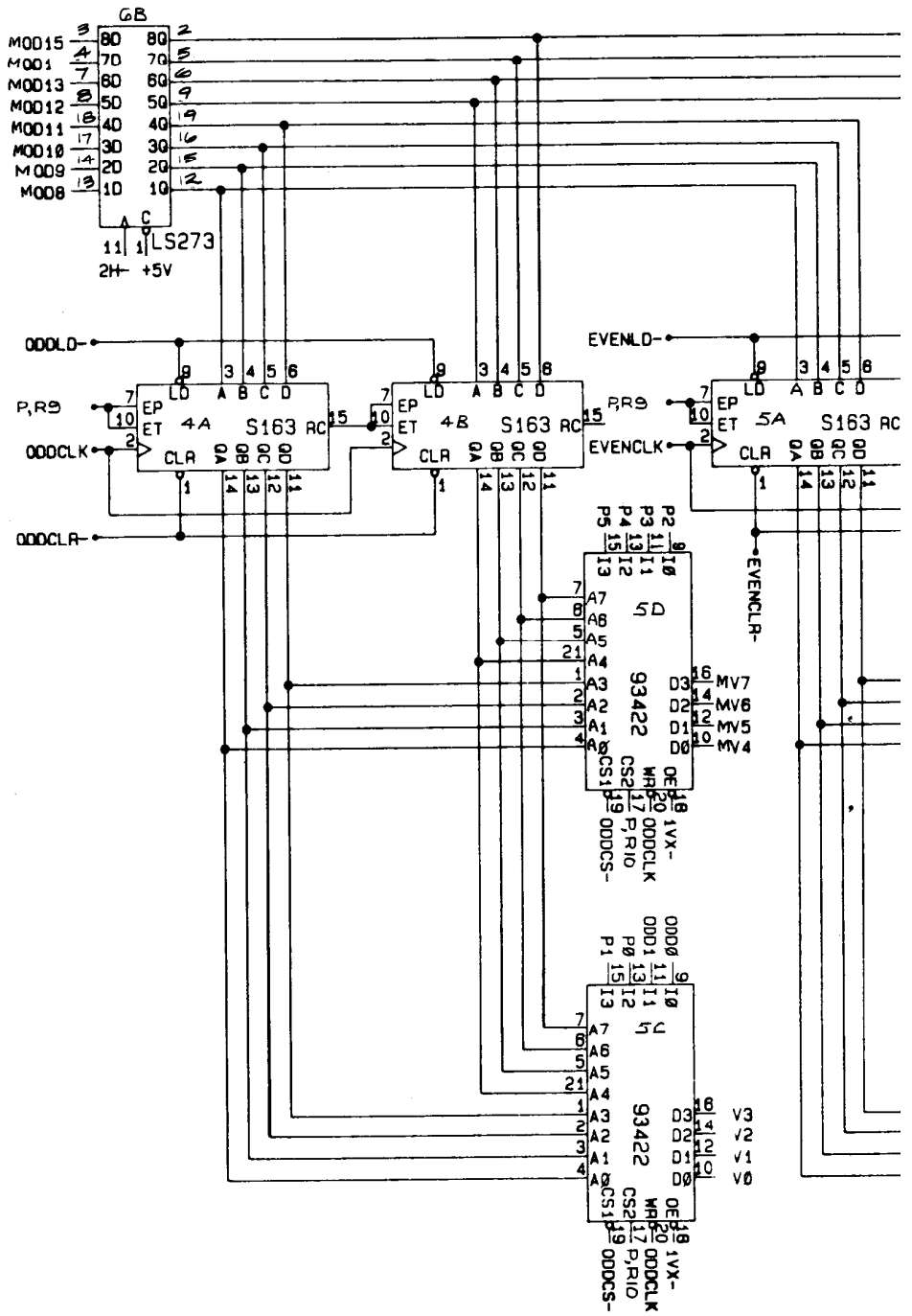
SP-229 Sheet 8B

1st Printing

**BASEMENT ARCADE**

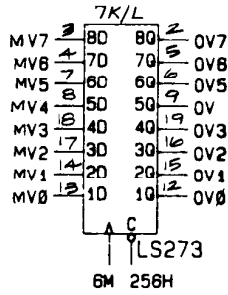
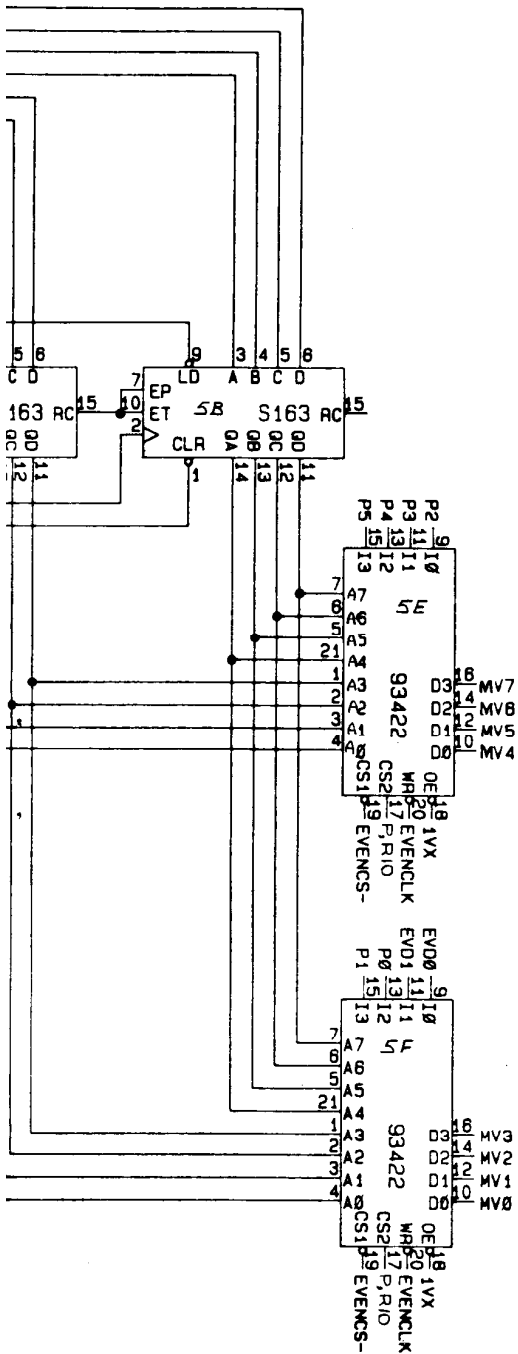
www.basementarcade.com **CLASSICS**





**BASEMENT  
ARCADE**

[www.basementarcade.com](http://www.basementarcade.com) **CLASSICS**



**NOTICE TO ALL PERSONS RECEIVING THIS DRAWING**

CONFIDENTIAL: Reproduction forbidden without the specific written permission of Atari, Inc., Sunnyvale, CA. This drawing is only conditionally issued, and neither receipt nor possession thereof confers or transfers any right in, or license to use, the subject matter of the drawing or any design or technical information shown thereon, nor any right to reproduce this drawing or any part thereof. Except for manufacture by vendors of Atari, Inc., and for manufacture under the corporation's written license, no right is granted to reproduce this drawing or the subject matter thereof, unless by written agreement with or written permission from the corporation.

**Food Fight Line Buffers Schematic Diagram**



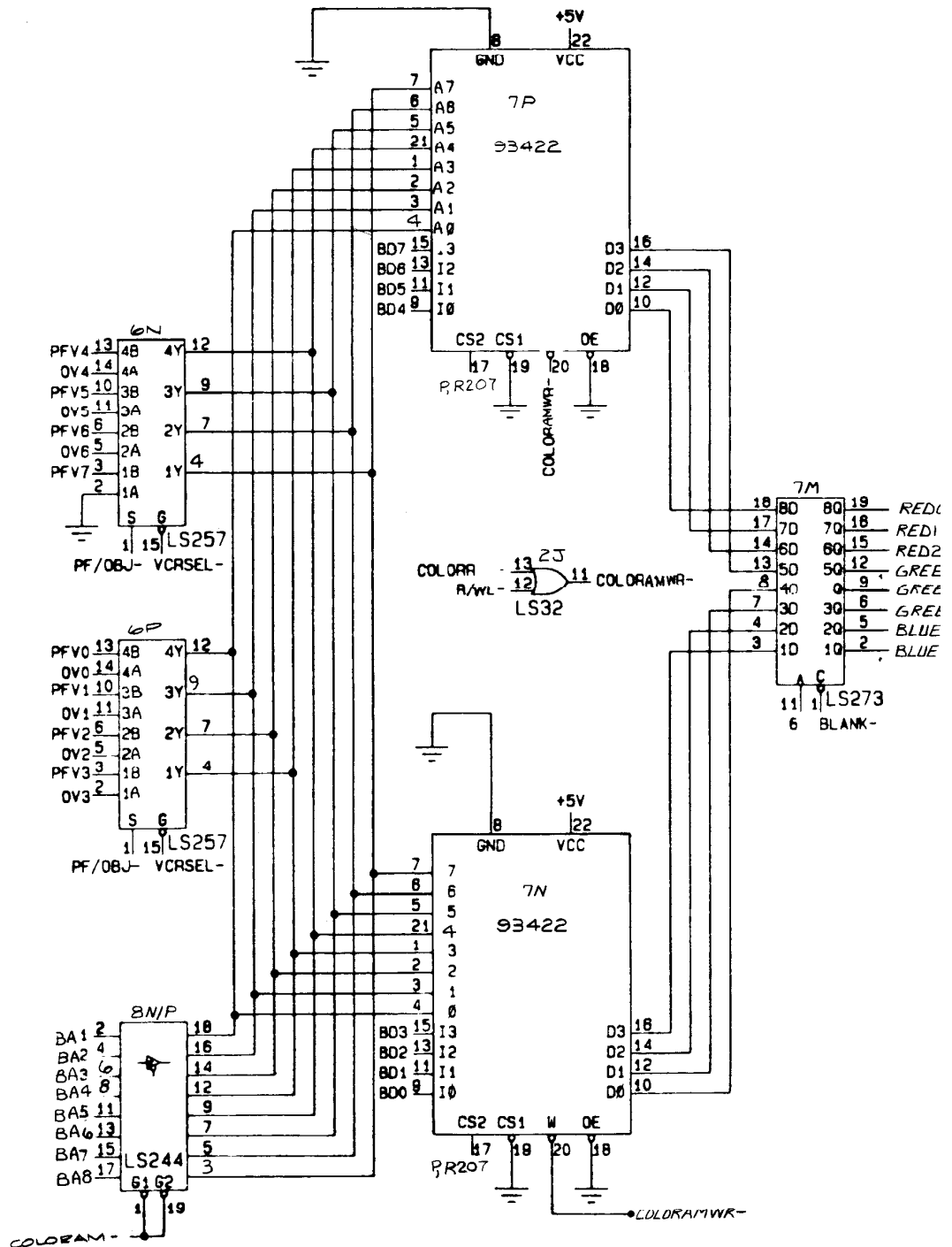
A Warner Communications Company

© ATARI INC. 1983

SP-229 Sheet 9A  
1st Printing

**BASEMENT ARCADE**

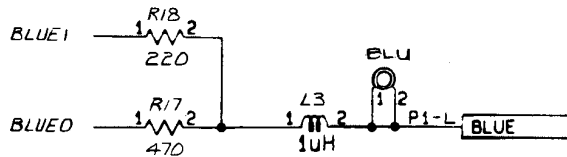
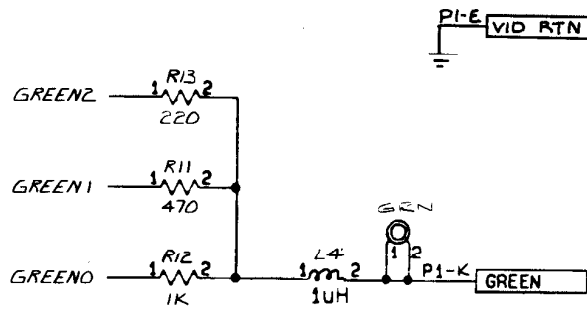
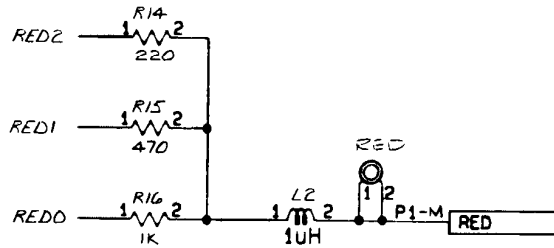
www.basementarcade.com **CLASSICS**



- 19 REDD
- 18 RED1
- 15 RED2
- 12 GREEND
- 9 GREEN1
- 6 GREEN2
- 5 BLUED
- 2 BLUE1

.S273

.ANK-



**NOTICE TO ALL PERSONS RECEIVING THIS DRAWING**

CONFIDENTIAL: Reproduction forbidden without the specific written permission of Atari, Inc., Sunnyvale, CA. This drawing is only conditionally issued, and neither receipt nor possession thereof confers or transfers any right in, or license to use, the subject matter of the drawing or any design or technical information shown thereon, nor any right to reproduce this drawing or any part thereof. Except for manufacture by vendors of Atari, Inc., and for manufacture under the corporation's written license, no right is granted to reproduce this drawing or the subject matter thereof, unless by written agreement with or written permission from the corporation.

**Food Fight Color RAM Schematic Diagram**



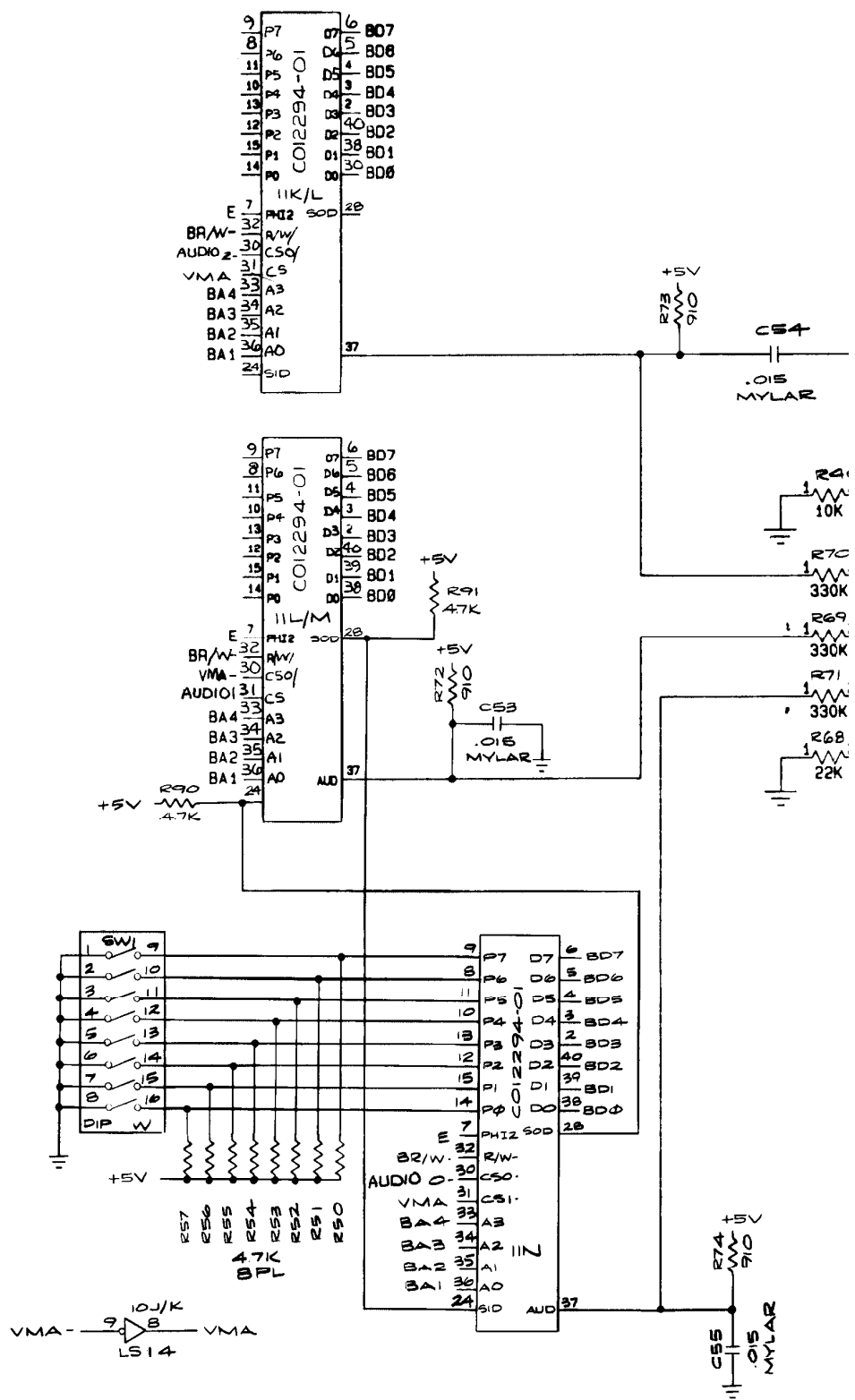
© A Warner Communications Company

© ATARI INC. 1983

SP-229 Sheet 9B

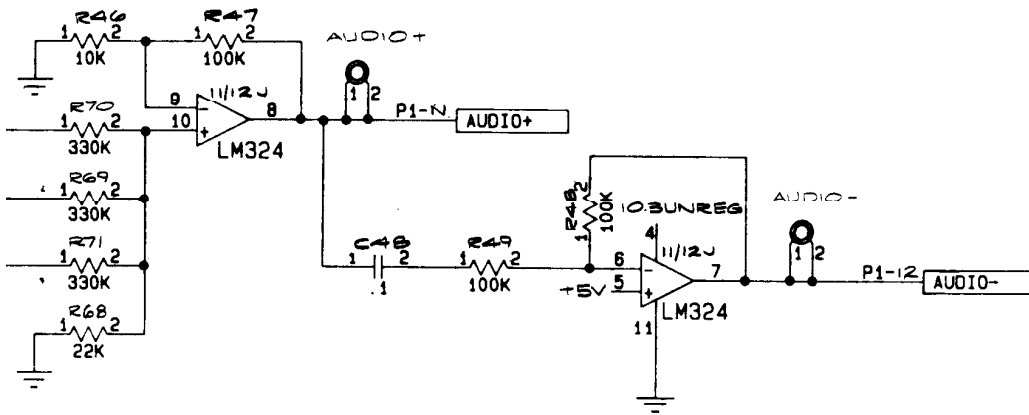
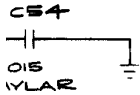
1st Printing

**BASEMENT  
ARCADE**



**BASEMENT ARCADE**

www.basementarcade.com CLASSIC



**NOTICE TO ALL PERSONS RECEIVING THIS DRAWING**

CONFIDENTIAL: Reproduction forbidden without the specific written permission of Atari, Inc., Sunnyvale, CA. This drawing is only conditionally issued, and neither receipt nor possession thereof confers or transfers any right in, or license to use, the subject matter of the drawing or any design or technical information shown thereon, nor any right to reproduce this drawing or any part thereof. Except for manufacture by vendors of Atari, Inc., and for manufacture under the corporation's written license, no right is granted to reproduce this drawing or the subject matter thereof, unless by written agreement with or written permission from the corporation.

**Food Fight Sound Schematic Diagram**



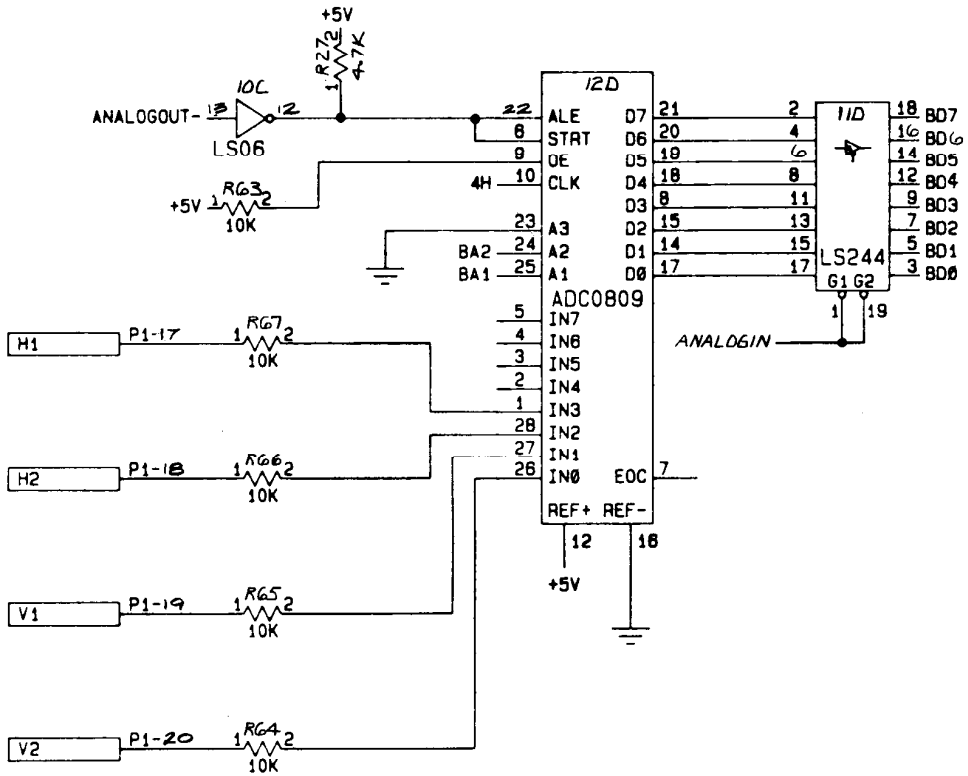
A Warner Communications Company

© ATARI INC. 1983

SP-229 Sheet 10A  
1st Printing

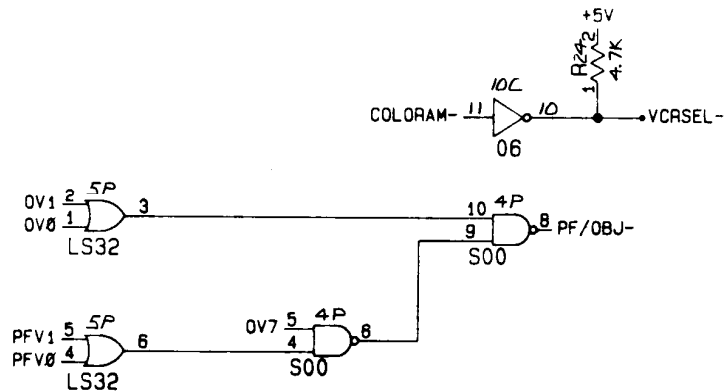
**BASEMENT  
ARCADE**

www.basementarcade.com **CLASSICS**



**BASEMENT  
ARCADE**

www.basementarcade.com **CLASSICS**



**NOTICE TO ALL PERSONS RECEIVING THIS DRAWING**

CONFIDENTIAL. Reproduction forbidden without the specific written permission of Atari, Inc., Sunnyvale, CA. This drawing is only conditionally issued, and neither receipt nor possession thereof confers or transfers any right in, or license to use, the subject matter of the drawing or any design or technical information shown thereon, nor any right to reproduce this drawing or any part thereof. Except for manufacture by vendors of Atari, Inc., and for manufacture under the corporation's written license, no right is granted to reproduce this drawing or the subject matter thereof, unless by written agreement with or written permission from the corporation.

**Food Fight Analog Inputs Schematic Diagram**



A Warner Communications Company

© ATARI INC. 1983

SP-229 Sheet 10B  
1st Printing

**BASEMENT  
ARCADE**



**Schematic Notes**

Unless otherwise specified

Resistance: ( $\Omega$ ) (K $\rightarrow$ K $\Omega$ , M $\rightarrow$ M $\Omega$ ), 1/4 (W) carbon resistor

Capacitance: 1 or higher  $\rightarrow$  (pF), less than 1  $\rightarrow$  ( $\mu$ F)  
working voltage  $\rightarrow$  50 (V)  
ceramic capacitor

Inductance: ( $\mu$ H)

Electrolytic Cap: Capacitance Value ( $\mu$ F)/working voltage (V),  
NP  $\rightarrow$  non-polar (or bipolar) electrolytic cap.

Refer to the parts list for additional component information.

$\text{\textcircled{P}}$  indicates test point connection

$\text{\textcircled{G}}$  indicates chassis ground unless otherwise specified

Hz indicates cycles per second

For safety purposes (and continuing reliability)

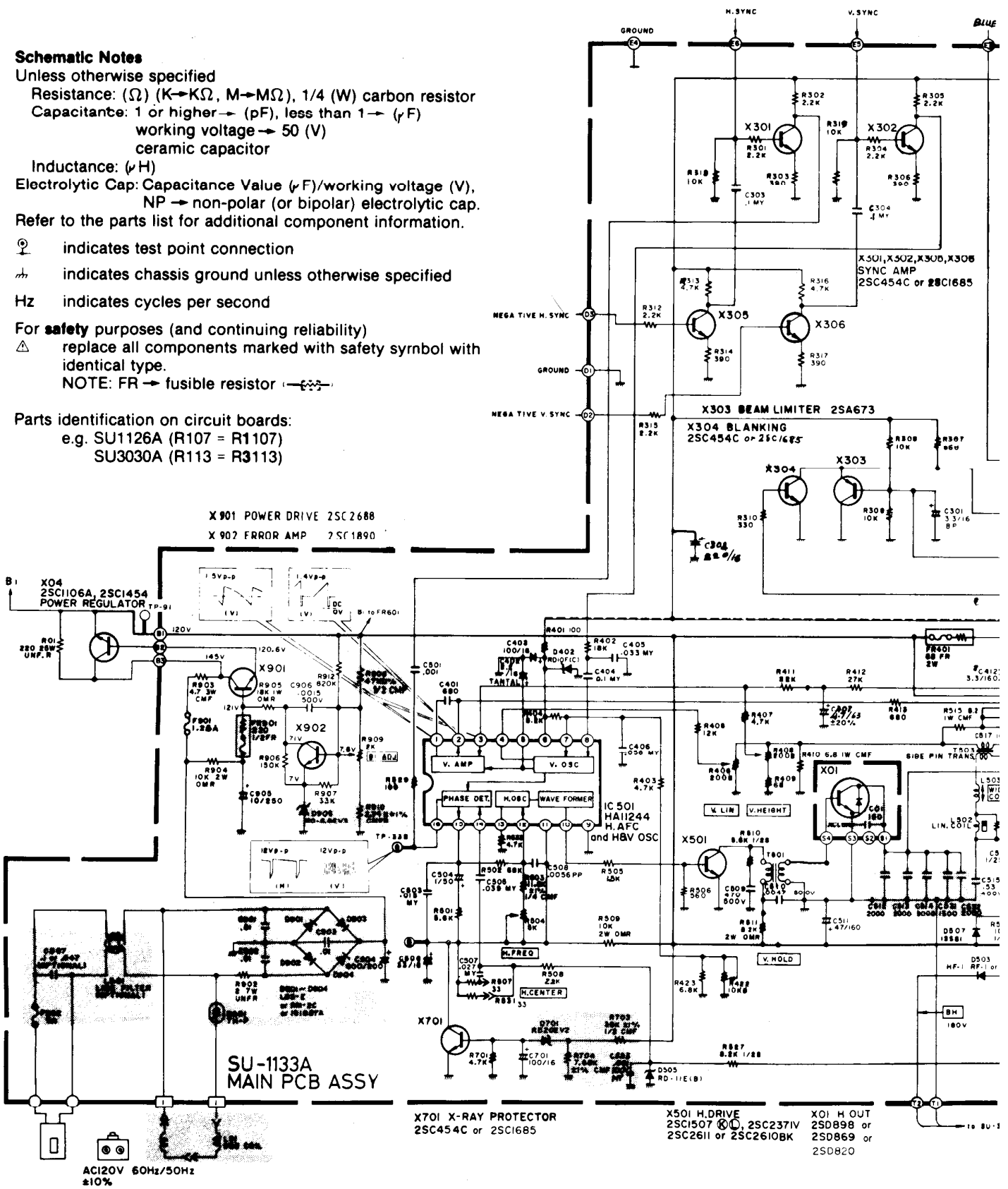
$\triangle$  replace all components marked with safety symbol with identical type.

NOTE: FR  $\rightarrow$  fusible resistor

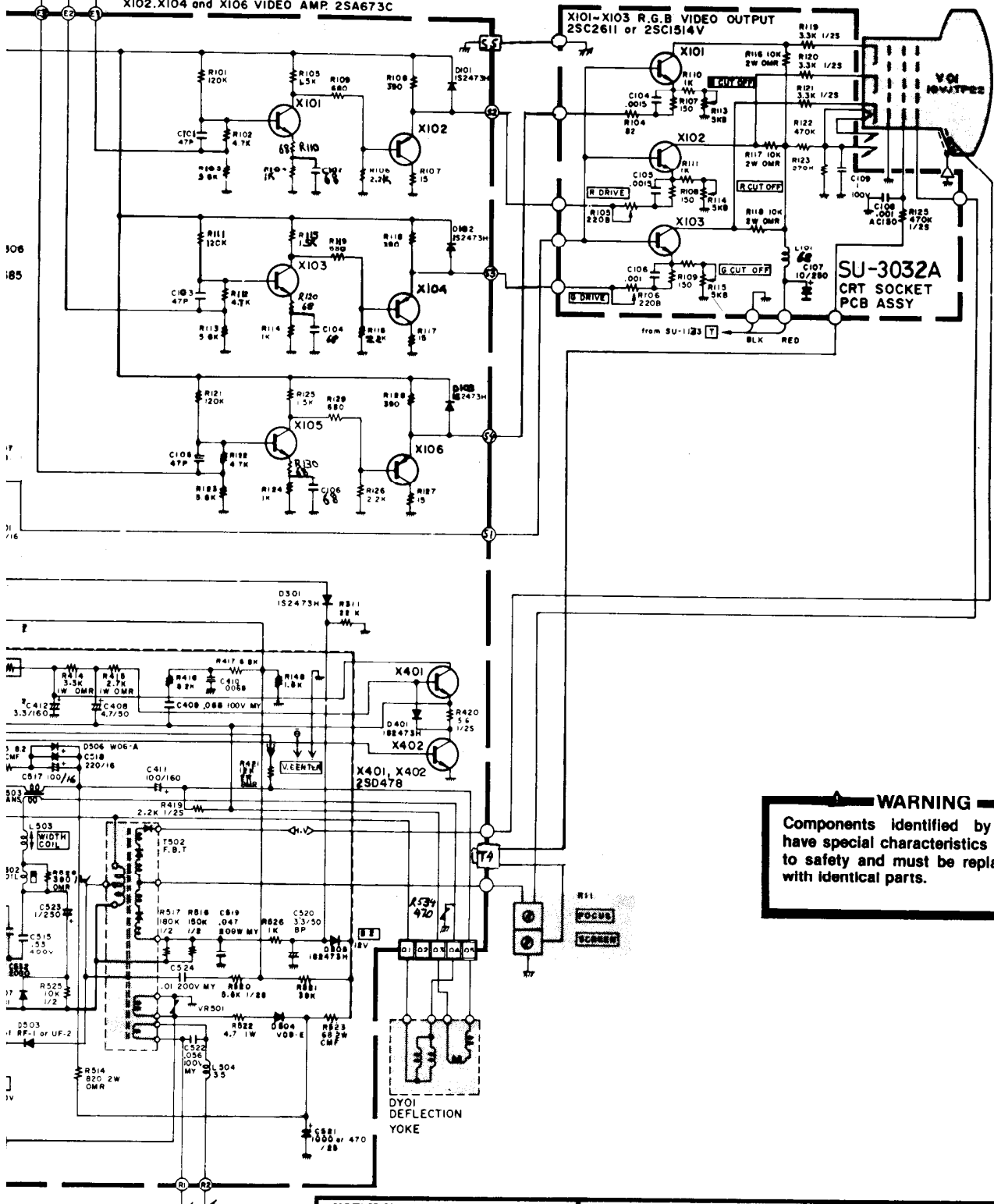
Parts identification on circuit boards:

e.g. SU1126A (R107 = R1107)

SU3030A (R113 = R3113)



BLUE GREEN RED X101, X103 and X105 VIDEO AMP. 2SC454C  
 X102, X104 and X106 VIDEO AMP. 2SA673C




**WARNING**  
 Components identified by shading have special characteristics important to safety and must be replaced only with identical parts.

14 BU-3032A 19 CRT HEATER

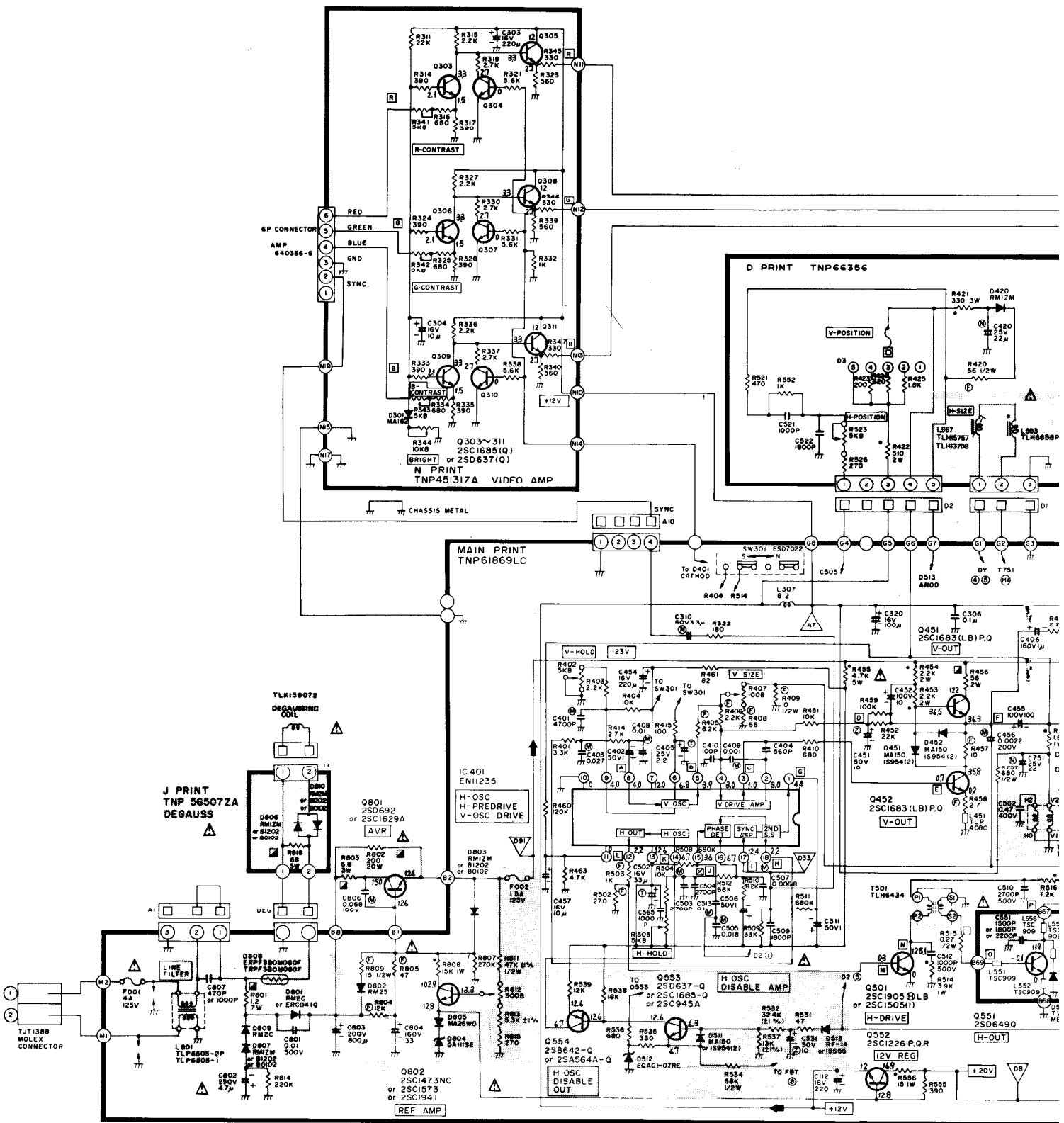
**NOTICE TO ALL PERSONS RECEIVING THIS DRAWING**  
 CONFIDENTIAL: Reproduction forbidden without the specific written permission of Atari, Inc., Sunnyvale, CA. This drawing is only conditionally issued, and neither receipt nor possession thereof confers or transfers any right in, or license to use, the subject matter of the drawing or any design or technical information shown thereon, nor any right to reproduce this drawing or any part thereof. Except for manufacture by vendors of Atari, Inc., and for manufacture under the corporation's written license, no right is granted to reproduce this drawing or the subject matter thereof, unless by written agreement with or written permission from the corporation.

**Electrohome Color Raster Display Schematic Diagram**

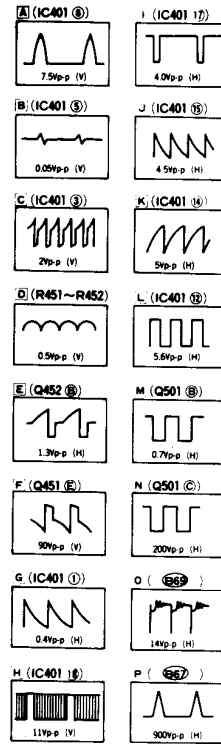


SP-229 Sheet 11A  
1st Printing

© ATARI INC. 1983  
A Warner Communications Company



**Waveform**



**NOTE**

1. RESISTOR  
 All resistors are carbon 1/4W resistor, unless otherwise noted the following marks  
 Unit of resistance is OHM (Ω), K = 1,000, M = 1,000,000  
 □ Solid                      \* Metal Oxide  
 ◻ Wire Wound              ◻ Thermistor  
 ◻ Non-Flammable        ◻ Fuse  
 ◻ Cement

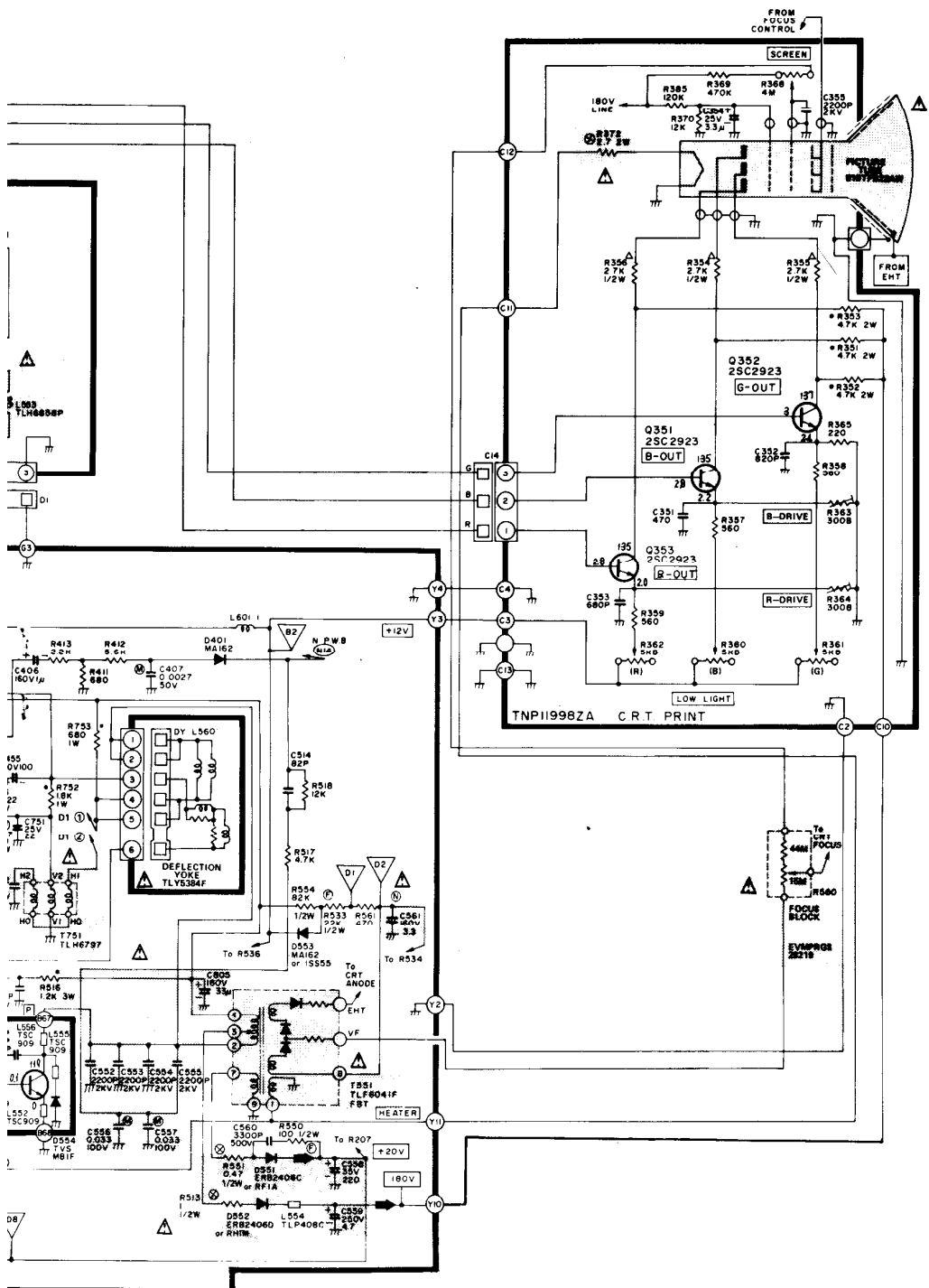
2. CAPACITOR  
 All capacitors are ceramic 50V capacitor, unless otherwise noted the following marks  
 Unit of capacitance is μF, unless otherwise noted  
 ab Electrolytic              v Safety Vent      i Polyethylene  
 W Wound                      Z Z type              \* Tripartite              + Polypropylene  
 T Tantalum                  T Temp Compensation      M Polyester

3. COIL  
 Unit of inductance is μH

4. TEST POINT  
 ? Test point position

**WARNING**

Components identified by shading have special characteristics important to safety and must be replaced only with identical parts.



**NOTICE TO ALL PERSONS RECEIVING THIS DRAWING**

**CONFIDENTIAL:** Reproduction forbidden without the specific written permission of Atari, Inc., Sunnyvale, CA. This drawing is only conditionally issued, and neither receipt nor possession thereof confers or transfers any right in, or license to use, the subject matter of the drawing or any design or technical information shown thereon, nor any right to reproduce this drawing or any part thereof. Except for manufacture by vendors of Atari, Inc., and for manufacture under the corporation's written license, no right is granted to reproduce this drawing or the subject matter thereof, unless by written agreement with or written permission from the corporation.

**Matsushita Color Raster Display Schematic Diagram**



SP-229 Sheet 11B  
 1st Printing

© ATARI INC. 1983

A Warner Communications Company