

WARRANTY

Seller warrants that its printed circuit boards and parts thereon are free from defects in material and workmanship under normal use and service for a period of ninety (90) days from date of shipment. Seller warrants that its television monitors are free from defects in material and workmanship under normal use and service for a period of thirty (30) days from date of shipment. None of the Seller's other products or parts thereof are warranted.

If the products described in this manual fail to conform to this warranty, Sellers' sole liability shall be, at its option, to repair, replace, or credit Buyer's account for such products which are returned to Seller during said warranty period, provided:

(a) Seller is promptly notified in writing upon discovery by Buyer that said products are defective;

(b) Such products are returned prepaid to Sellers' plant; and

(c) Seller's examination of said products discloses to Seller's satisfaction that such alleged defects existed and were not caused by accident, misuse, neglect, alteration, improper repair, installation or improper testing.

In no event shall Seller be liable for loss of profits, loss of use, incidental or consequential damages.

EXCEPT FOR ANY EXPRESS WARRANTY SET FORTH IN A WRITTEN CONTRACT BETWEEN SELLER AND BUYER WHICH CONTRACT SUPERSEDES THE TERMS OF THIS ORDER, THIS WARRANTY IS EXPRESSED IN LIEU OF ALL OTHER WARRANTIES EXPRESSED OR IMPLIED, INCLUDING THE IMPLIED WARRANTIES OF MERCHANTABILITY AND FITNESS FOR A PARTICULAR PURPOSE, AND OF ALL OTHER OBLIGATIONS OR LIABILITIES ON THE SELLER'S PART, AND IT NEITHER ASSUMES NOR AUTHORIZES ANY OTHER PERSON TO ASSUME FOR THE SELLER ANY OTHER LIABILITIES IN CONNECTION WITH THE SALE OF PRODUCTS UNDER THIS ORDER.

This document is and contains confidential trade secret information of Atari, Inc.

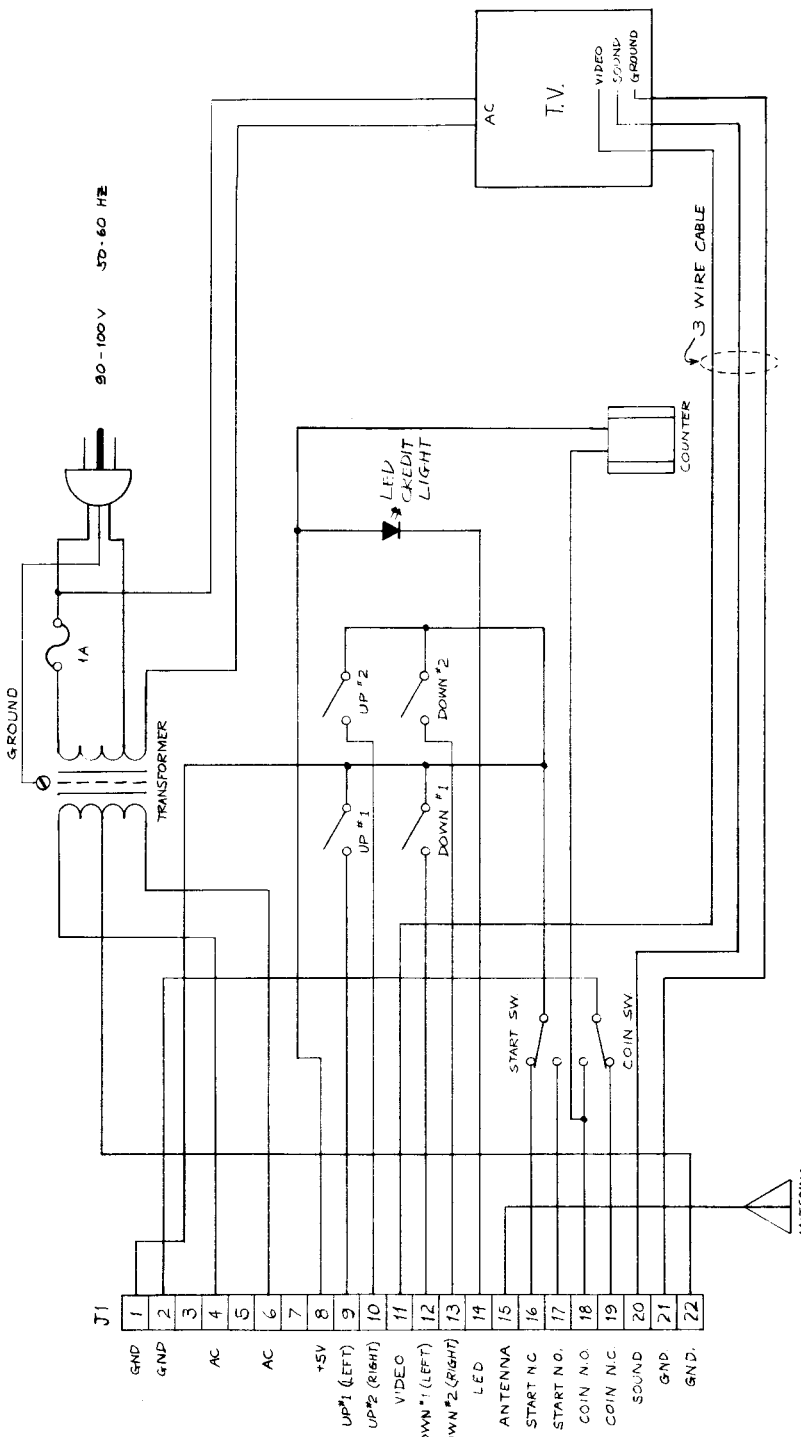
This document is loaned under confidential custody for the sole purpose of operation, maintenance or repair of Atari equipment and may not be used by or disclosed to any person for any other purpose whatever, and remains the property of Atari, Inc.

Neither it nor the information it contains may be reproduced, used, or disclosed to persons not having a need to know consistent with the purpose of the loan, without written consent of Atari, Inc.

1 2 3 4

DRAWING NO. 000771 SHEET 1/1 REV B

SYM	DESCRIPTION	INITIALS and DATE	
		DRETC	CHECK ENGNG
A	REL. TO PROD. REDRAWN	5/16/74	
B	REV. PER EGN 517	6/24/74	comp 4/78



1. ALL SWITCHES SHOWN IN THEIR USUAL POSITIONS

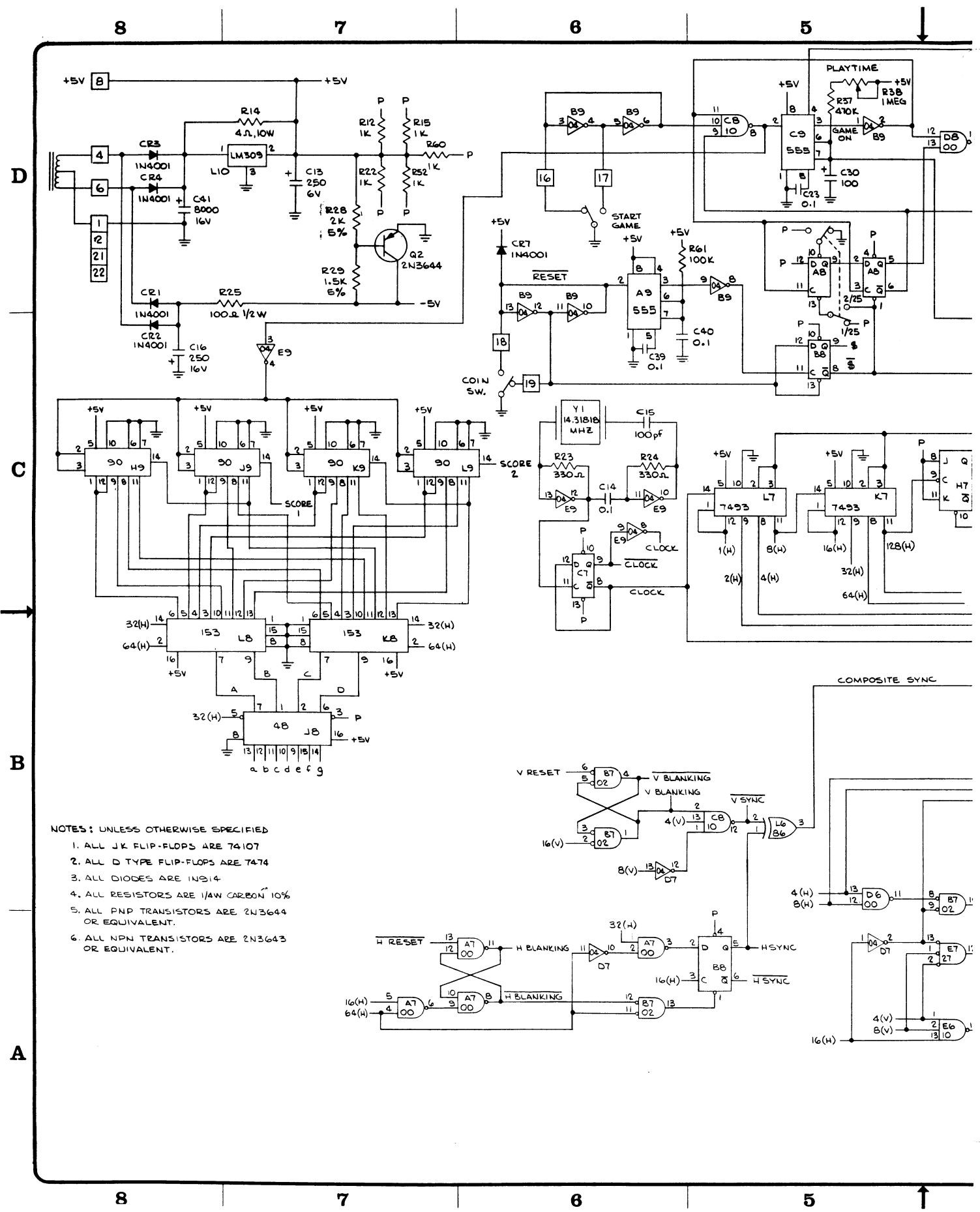
NOTES:

ATARI INCORPORATED 14600 Winchester Boulevard Los Gatos, California 95030		TITLE WIRING HARNESS S.R.		REV B
DATE	DRAWN BY	CHECKED	DESIGN ENGINEER	DOCUMENT CONT'D
INTERPRET THIS DRAWING PER USASI Y14.5	UNLESS OTHERWISE SPECIFIED DIMENSIONS ARE IN INCHES	TOLERANCES ON: FRACTIONS ± 1/16 1" ± 1/32 ANGLES ± 30°		SURFACE FINISH ± 0.10
MATERIAL		SCALE NONE		
DRAWING NO. 000771		SHEET 1 OF 1		

SPACE	TRACE	USED ON
NEXT ASSY		
APPLICATION		

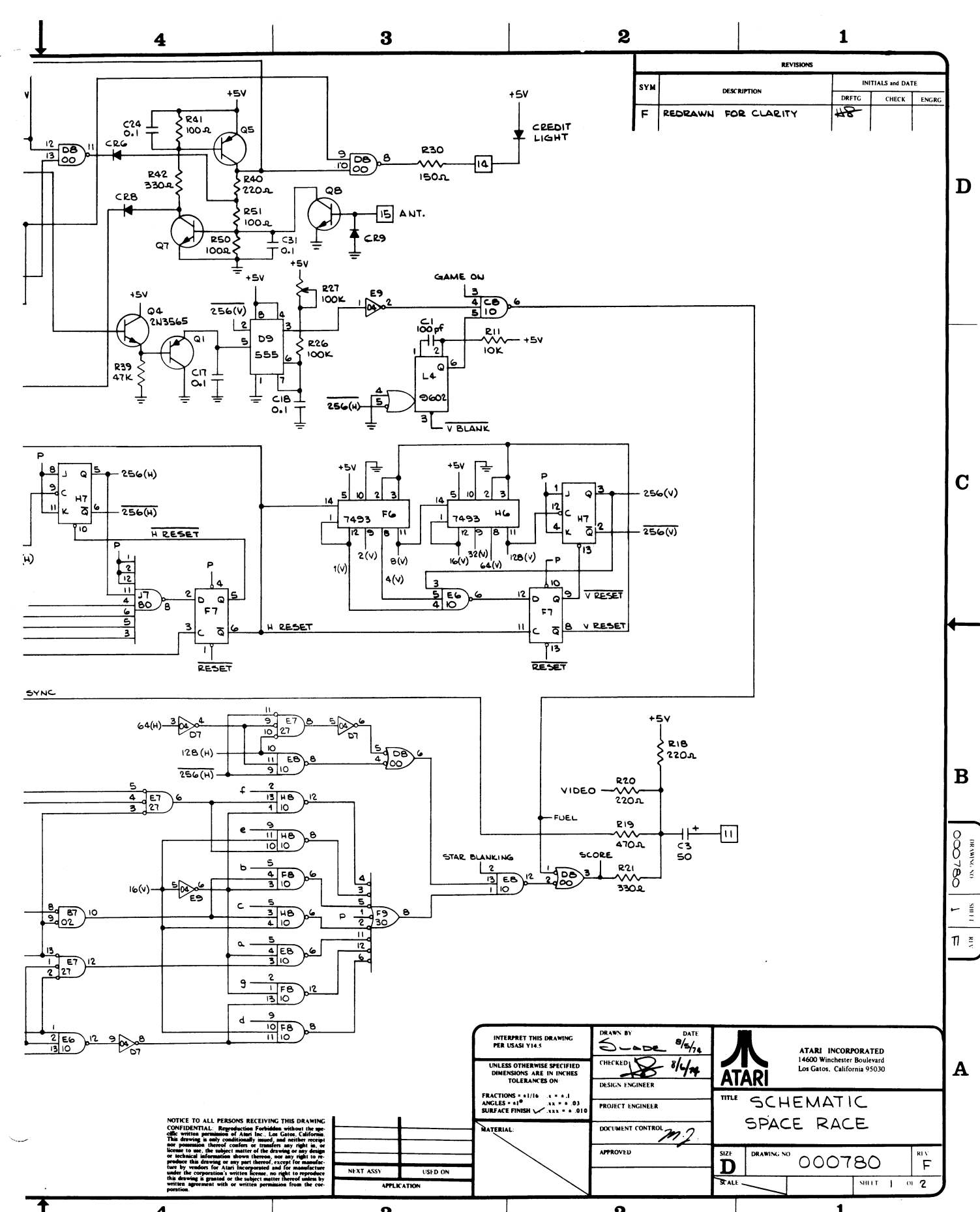
NOTICE TO ALL PERSONS RECEIVING THIS DRAWING
 CONFIDENTIAL - Reproduction Forbidden without the express written permission of Atari Inc. This drawing is only conditionally loaned and neither receipt nor return is required. The design herein is the property of Atari Inc. and is not to be used, copied, or otherwise disseminated without the express written permission of Atari Inc. The information shown herein may not be used for any other purpose without the express written permission of Atari Inc. Atari Inc. is not responsible for any damage or loss of any kind resulting from the use of this drawing. The drawing is granted and the subject matter thereof shall be held in confidence by the recipient.

1 2 3 4



- NOTES: UNLESS OTHERWISE SPECIFIED
1. ALL JK FLIP-FLOPS ARE 74107
 2. ALL D TYPE FLIP-FLOPS ARE 7474
 3. ALL DIODES ARE 1N914
 4. ALL RESISTORS ARE 1/4W CARBON 10%
 5. ALL PNP TRANSISTORS ARE 2N3644 OR EQUIVALENT.
 6. ALL NPN TRANSISTORS ARE 2N3643 OR EQUIVALENT.

REVISIONS			INITIALS AND DATE		
SYM	DESCRIPTION		DWG	CHECK	ENGR
F	REDRAWN FOR CLARITY				

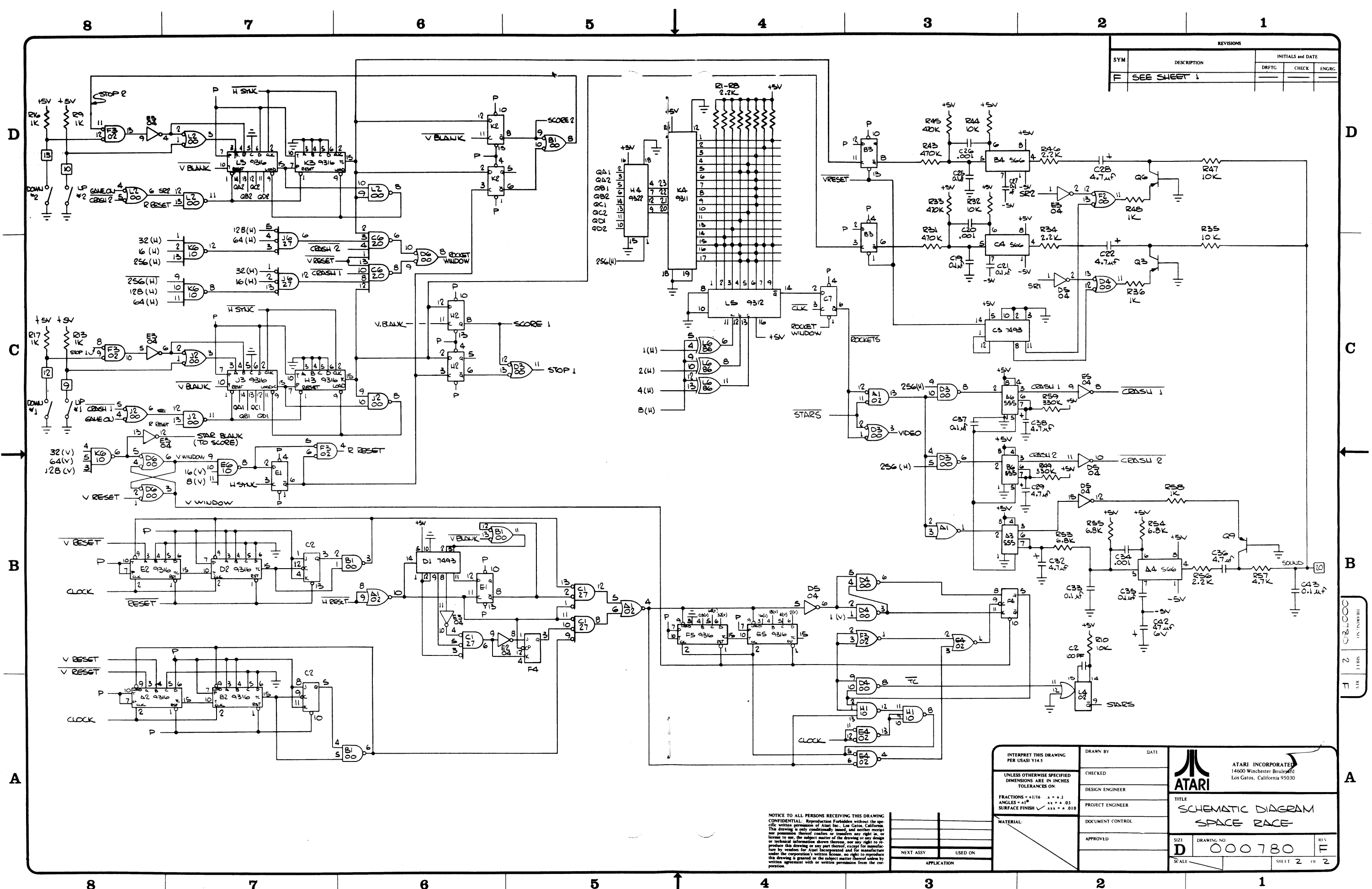


NOTICE TO ALL PERSONS RECEIVING THIS DRAWING
 CONFIDENTIAL: Reproduction Forbidden without the specific written permission of Atari Inc., Los Gatos, California. This drawing is only conditionally issued, and neither receipt nor possession thereof confers or transfers any right in, or license to use, the subject matter of the drawing or any design or technical information shown therein, nor any right to reproduce this drawing or any part thereof, except for manufacture by vendors for Atari Incorporated and for manufacturer under the corporation's written license, no right to reproduce this drawing is granted on the subject matter thereof unless by written agreement with or written permission from the corporation.

INTERPRET THIS DRAWING PER USAS 114.5	DRAWN BY: <i>S. Swade</i> DATE: 8/6/76	 ATARI INCORPORATED 14600 Winchester Boulevard Los Gatos, California 95030
UNLESS OTHERWISE SPECIFIED DIMENSIONS ARE IN INCHES TOLERANCES ON:	CHECKED: <i>[Signature]</i> DATE: 8/14/76	
FRACTIONS - 1/16, 1/8, 1/4, 1/2, 3/4, 1	DESIGN ENGINEER	TITLE: SCHEMATIC SPACE RACE
ANGLES - 15°, 30°, 45°, 60°, 75°, 90°, 105°, 120°, 135°, 150°, 165°, 180°	PROJECT ENGINEER	SIZE: D DRAWING NO: 000780
SURFACE FINISH - 12.5, 6.3, 3.2, 1.6, 0.8, 0.4, 0.2, 0.1	DOCUMENT CONTROL	SCALE: _____
MATERIAL:	APPROVED: <i>[Signature]</i>	SHEET 1 OF 2
NEXT ASSY: _____	USED ON: _____	

000780
 1
 11

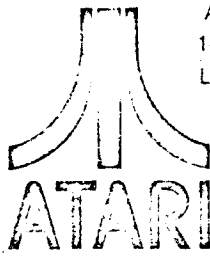
REVISIONS			INITIALS and DATE		
SYM	DESCRIPTION		DRFTG	CHECK	ENGRG
F	SEE SHEET 1				



NOTICE TO ALL PERSONS RECEIVING THIS DRAWING
 CONFIDENTIAL: Reproduction Forbidden without the specific written permission of Atari Inc., Los Gatos, California. This drawing is only conditionally issued, and neither receipt nor possession thereof confers or transfers any right in, or license to use, the subject matter of the drawing or any design or technical information shown thereon, nor any right to reproduce this drawing or any part thereof, except for manufacture by vendors for Atari Incorporated and for manufacture under the corporation's written license, no right to reproduce this drawing is granted or the subject matter thereof unless by written agreement with or written permission from the corporation.

INTERPRET THIS DRAWING PER USASI Y14.5	DRAWN BY	DATE	 ATARI INCORPORATED 14600 Winchester Boulevard Los Gatos, California 95030
UNLESS OTHERWISE SPECIFIED DIMENSIONS ARE IN INCHES TOLERANCES ON	CHECKED		
FRACTIONS = 1/16 Δ = .5	DESIGN ENGINEER		TITLE
ANGLES = 90° Δ = .03	PROJECT ENGINEER		SCHEMATIC DIAGRAM
SURFACE FINISH Δ = .010	DOCUMENT CONTROL		SPACE RACE
MATERIAL:	APPROVED		SIZE
			D DRAWING NO
			000780
			F
			SCALE
			SHEET 2 OF 2

000780
 2
 F



ATARI INC
14600 WINCHESTER BOULEVARD,
LOS GATOS, CALIFORNIA 95030

PARTS
LIST
SPECIFICATIONS

DRAWING NO.

A000803

DATE

REV

F

TITLE

SPACE RACE
PRINTED CIRCUIT BOARD ASSEMBLY
VP 121

DRAWN

DATE

ENGINEER

DATE

ITEM | PART NO. | QTY | DESCRIPTION

1	72000	9	7400 Integrated Circuit
2	72001	4	7402 " "
3	72002	5	7404 " "
4	72003	7	7410 " "
5	72004	1	7420 " "
6	72006	3	7427 " "
7	72007	2	7430 " "
8	72008	1	7448 " "
9	72010	8	7474 " "
10	72012	1	7486 " "
11	72013	4	7490 " "
12	72014	6	7493 " "
13	72015	3	74107 " "
14	72016	2	74153 " "
15	72023	1	9311/74154 " "
16	72024	1	9312/8230 " "
17	72017	10	9316 " "
18	72025	1	9322/74157 " "
19	72026	1	9602 " "
20	72018	6	555 " "
21	72021	3	566 " "
22	30100	4	100 PF Capacitor, Mica
23	34102	3	.001 MFD Ceramic Bypass Capacitor
24	34101	17	.1 MFD Ceramic Bypass Capacitor
25	32101	9	.1 MFD Capacitor Mylar, + 10%, 6V.
26	35502	6	5MFD Capacitor, Electrolytic 10V
27	39100	1	100 MFD Capacitor, Tantalum, 10V 20%
28	35254	1	250 MFD Capacitor Electrolytic, 6V
29	37101	1	250 MFD Capacitor Electrolytic, 16V
30	35473	2	47 MFD Capacitor Electrolytic 6V
31	37100	1	8000 MFD Capacitor Electrolytic 16V
32	10101	3	100 ohm, + 10%, 1/4 Watt, Carbon Resistor
33	10151	1	150 ohm, " " " "
34	10221	3	220 ohm " " " "
35	10331	4	330 ohm " " " "

PARTS LIST SPECIFICATIONS

DRAWING NO.	DATE	REV
A000803		F

ITEM PART NO. QTY DESCRIPTION Space Race-PC Board Ass'y

36	10471	1	470 ohm, + 10%, 1/4 Watt, Carbon Resistor
37	10102	13	1K ohm " " " "
38	10222	11	2.2K ohm " " " "
39	10472	1	4.7K ohm " " " "
40	10682	3	6.8K ohm " " " "
41	10103	6	10K ohm " " " "
42	10473	1	47K ohm " " " "
43	10104	2	100K ohm " " " "
44	10334	2	330K ohm " " " "
45	10474	5	470K ohm " " " "
46	12101	1	100 ohm, + 10%, 1/2 Watt, " "
47	11152	1	1.5K ohm + 5%, 1/4 Watt, " "
48	11202	1	2.0K ohm " " " "
49	19100	1	4 ohm, + 20%, 10 Watt Resistor, Wire Wound
50	22104	1	100K, Trim Pot, PC Mount
51	22105	1	1 Meg., Trim Pot, PC Mount
52	71000	30	1N914 Diode
53	71001	5	1N4001 Diode
54	70000	2	2N3643 Transistor
55	70001	6	2N3644 Transistor
56	70002	1	2N3656 Transistor
57	72019	1	LM309K Voltage Regulator
58	83014	1	Heatsink, Wakefield 680-1.25A
59	84001	a/r	Heatsink Compound (#340 Dow)
60	60000	1	Switch, DPDT Slide, PC Mount
61	81001	1	Crystal, 14.31818 MHZ (HC-25 Case)
62	75100	2	Screw, 6-32 x 5/8 Pan Hd.
63	75101	4	Washer, 6-32 Internal Star Lock
64	75102	2	Washer, 6-32 Flat
65	75103	2	Hex Nut, 6-32
66	90101	1	P. C. Board, Space Race

