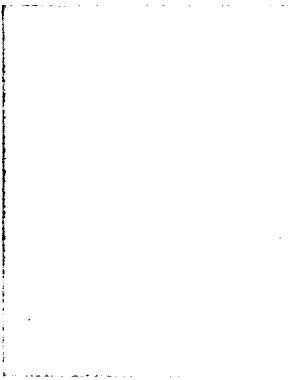
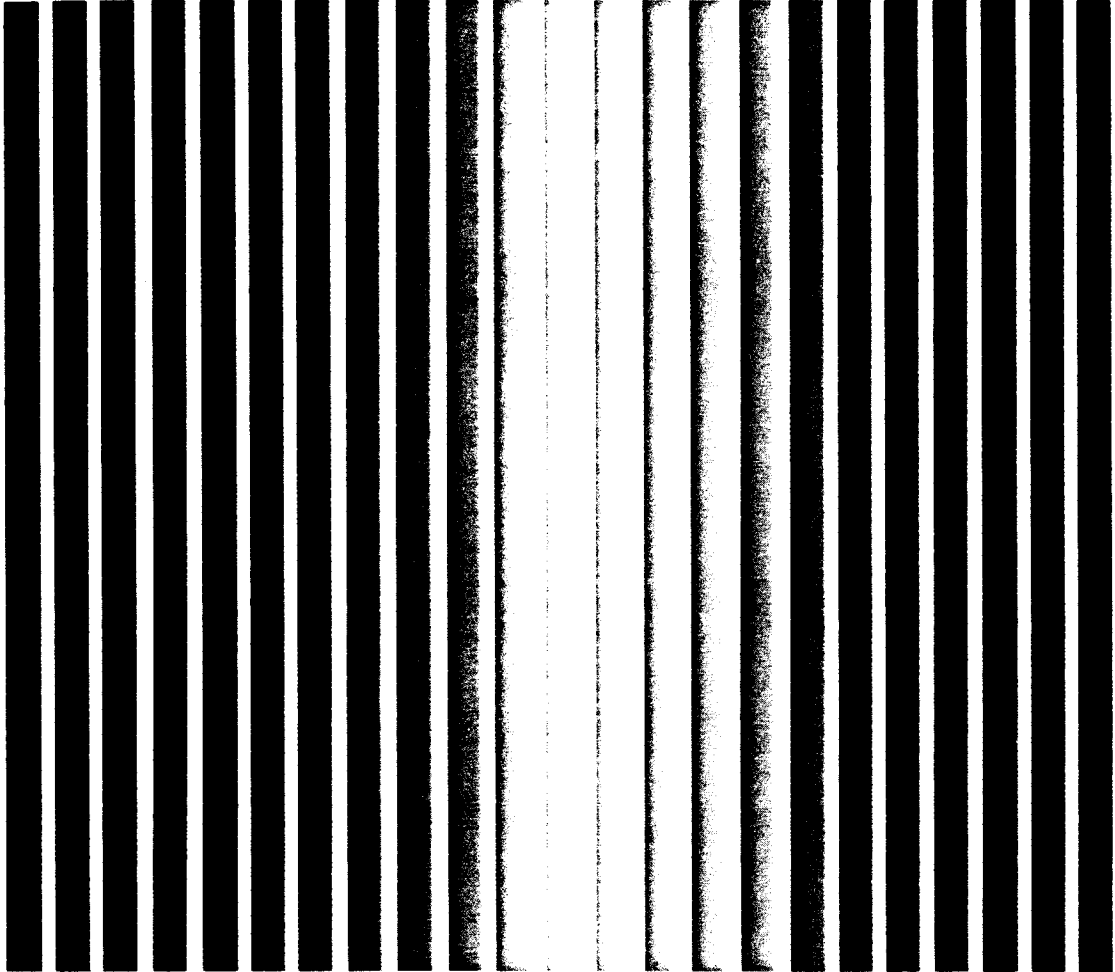


# APX ATARI® PROGRAM EXCHANGE



User-Written Software for ATARI Home Computers

# SPEED-O-DISK

by

Jubal Ragsdale and Dave Henry

Program and Manual Contents © 1982 Jubal Ragsdale and Dave Henry

Copyright and right to make backup copies. On receipt of this computer program and associated documentation (the software), the authors grant you a nonexclusive license to execute the enclosed software and to make backup or archival copies of the computer program for your personal use only, and only on the condition that all copies are conspicuously marked with the same copyright notices that appear on the original. This software is copyrighted. You are prohibited from reproducing, translating, or distributing this software in any unauthorized manner.

Jubal Ragsdale and Dave Henry

## SPEED-O-DISK

APX-20109

March 1982

## INTRODUCTION

### OVERVIEW

With SPEED-O-DISK you can easily check the speed of your ATARI 810 Disk Drive. If you get frequent "144" or "138" errors, you may well have a drive that is not operating at the factory specification speed of 288 RPM. If your drive is off by 4 RPM or more, it would be a good idea to adjust it to the proper speed.

### REQUIRED ACCESSORIES

16K RAM

ATARI 810 Disk Drive

### CONTACTING THE AUTHORS

Users wishing to contact the authors about SPEED-O-DISK may write them at:

5916 Mego Dr.  
Anchorage, Alaska 99507

or call them at:

907/344-2944

## GETTING STARTED

### SETTING UP

1. Have your computer turned off. Turn on your disk drive.
2. When the BUSY light goes out, open the disk drive door and insert the SPEED-O-DISK diskette with the label in the lower right-hand corner nearest you. (Insert it in disk drive one of you have more than one drive.)
3. Turn on your computer and your TV set.
4. The program will load into your computer memory automatically. After a short READY prompt, the initial display will appear on your screen.



## USING SPEED-O-DISK

The initial display gives you a brief description of the program. Also, it gives you instructions for adjusting your disk drive.

After pressing the RETURN key a second time, the speed check begins. The display tells you the measured speed of your drive and gives you an update on the speed every few seconds.

If the speed varies more than 4 RPM from the recommended 288 RPM, you may want to have the drive adjusted or adjust it yourself.

To end the speed check, press the SYSTEM RESET key.

### ADJUSTING THE DISK DRIVE SPEED

#### \*\*\*\*CAUTION\*\*\*\*

Instructions for adjusting the speed of your ATARI 810 Disk Drive follow. Please note that you will VOID YOUR WARRANTY by attempting to adjust the drive yourself. To keep your warranty in effect, we recommend that you have the speed adjusted by an Authorized ATARI Service Center. Neither ATARI nor APX assumes responsibility for the accuracy of these instructions, or for the consequences to your equipment of using these instructions.

1. Insert the SPEED-O-DISK diskette, and have the speed check operating.
2. Remove the four round tabs on the top of the disk drive, and remove the four screws under the tabs. (See Fig. A )
3. Remove the cover.
4. Locate the plastic screw (variable resistor) in the left rear corner of the drive. (See Fig. B)
5. SLOWLY turn the screw CLOCKWISE to slow the speed, COUNTERCLOCKWISE to increase the speed. Wait a few seconds between turns to allow the program to measure the new speed.
6. After the speed is correct, replace the cover, screws, and round tabs on your drive.
7. Recheck speed every 4 to 6 weeks, or when you get an excessive number of "144" or "138" errors.

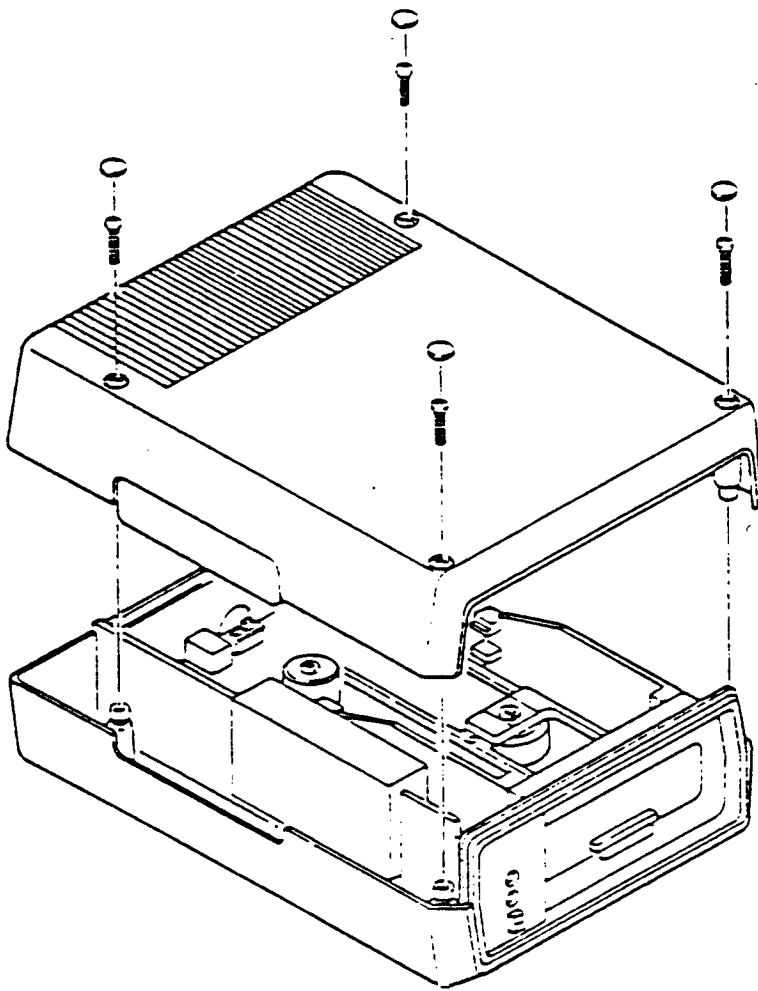


FIG. A

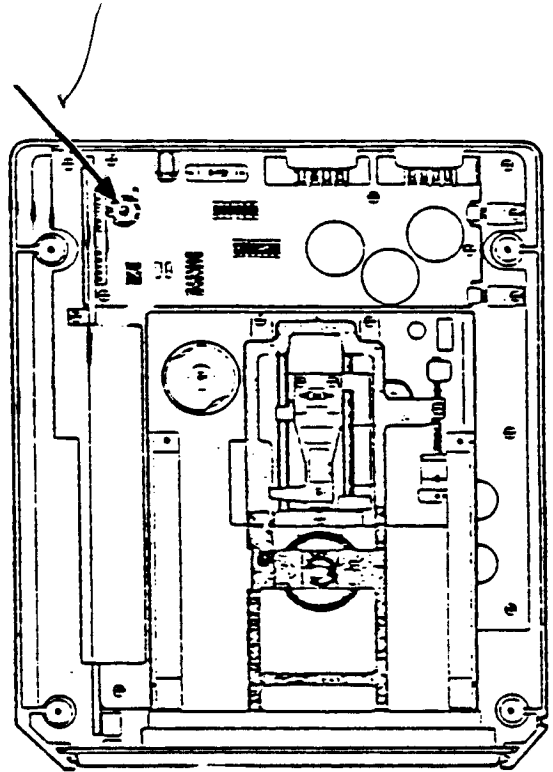


FIG. B

#### LIMITED WARRANTY ON MEDIA AND HARDWARE ACCESSORIES.

We, Atari, Inc., guarantee to you, the original retail purchaser, that the medium on which the APX program is recorded and any hardware accessories sold by APX are free from defects for thirty days from the date of purchase. Any applicable implied warranties, including warranties of merchantability and fitness for a particular purpose, are also limited to thirty days from the date of purchase. Some states don't allow limitations on a warranty's period, so this limitation might not apply to you. If you discover such a defect within the thirty-day period, call APX for a Return Authorization Number, and then return the product along with proof of purchase date to APX. We will repair or replace the product at our option.

You void this warranty if the APX product: (1) has been misused or shows signs of excessive wear; (2) has been damaged by use with non-ATARI products; or (3) has been serviced or modified by anyone other than an Authorized ATARI Service Center. Incidental and consequential damages are not covered by this warranty or by any implied warranty. Some states don't allow exclusion of incidental or consequential damages, so this exclusion might not apply to you.

#### DISCLAIMER OF WARRANTY AND LIABILITY ON COMPUTER PROGRAMS.

Most APX programs have been written by people not employed by Atari, Inc. The programs we select for APX offer something of value that we want to make available to ATARI Home Computer owners. To offer these programs to the widest number of people economically, we don't put APX products through rigorous testing. Therefore, APX products are sold "as is", and we do not guarantee them in any way. In particular, we make no warranty, express or implied, including warranties of merchantability and fitness for a particular purpose. We are not liable for any losses or damages of any kind that result from use of an APX product.

## TRADEMARKS OF ATARI

The following are trademarks of Atari, Inc.

ATARI®  
ATARI 400™ Home Computer  
ATARI 800™ Home Computer  
ATARI 410™ Program Recorder  
ATARI 810™ Disk Drive  
ATARI 820™ 40-Column Printer  
ATARI 822™ Thermal Printer  
ATARI 825™ 80-Column Printer  
ATARI 830™ Acoustic Modem  
ATARI 850™ Interface Module

\*\*\*\*\*

Distributed by

The ATARI Program Exchange  
P. O. Box 427  
155 Moffett Park Drive, B-1  
Sunnyvale, CA 94086

To request an APX Software Catalog, write to the address above, or call toll-free:

800/538-1862 (outside California)  
800/672-1850 (within California)

Or call our Sales number, 408/745-5335.

\*\*\*\*\*