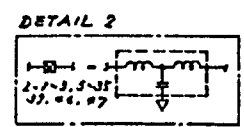
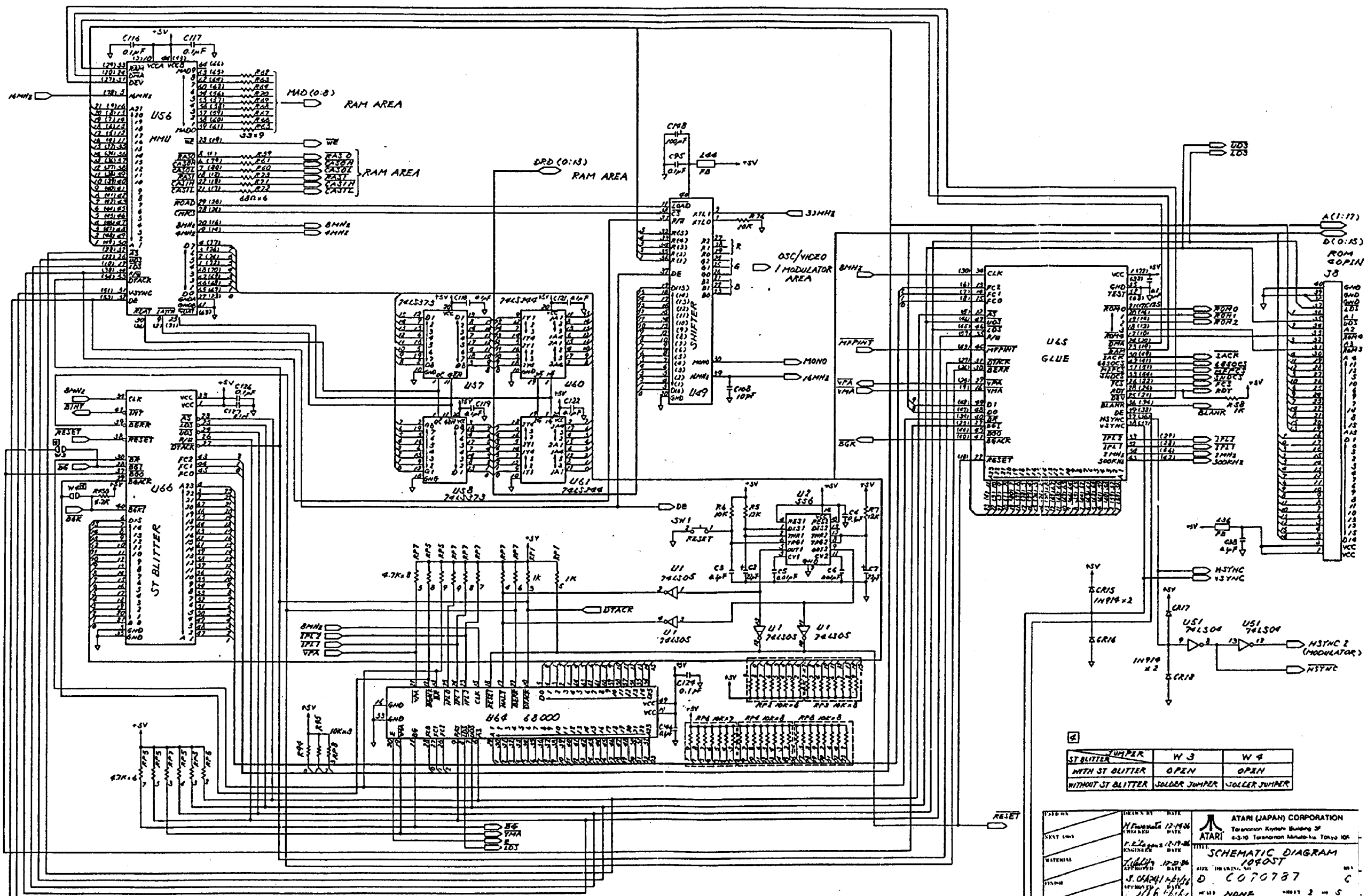


3. NOISE FILTER: SEE DETAIL 2
 2. RESISTORS ARE MEASURED IN OHMS, 5%, 1/4 WATT.
 1. CAPACITORS ARE MEASURED IN MICROFARADS.
 NOTES - UNLESS OTHERWISE SPECIFIED:

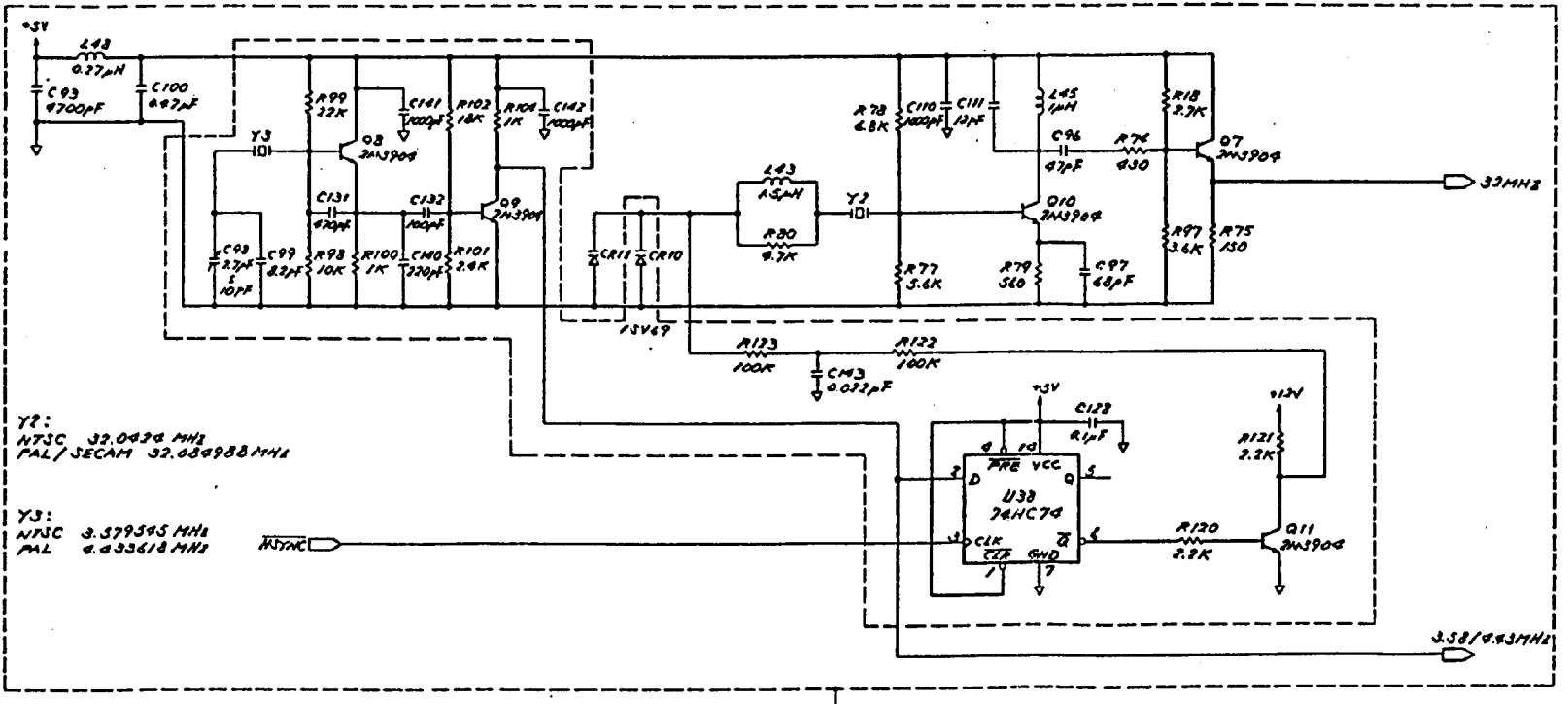
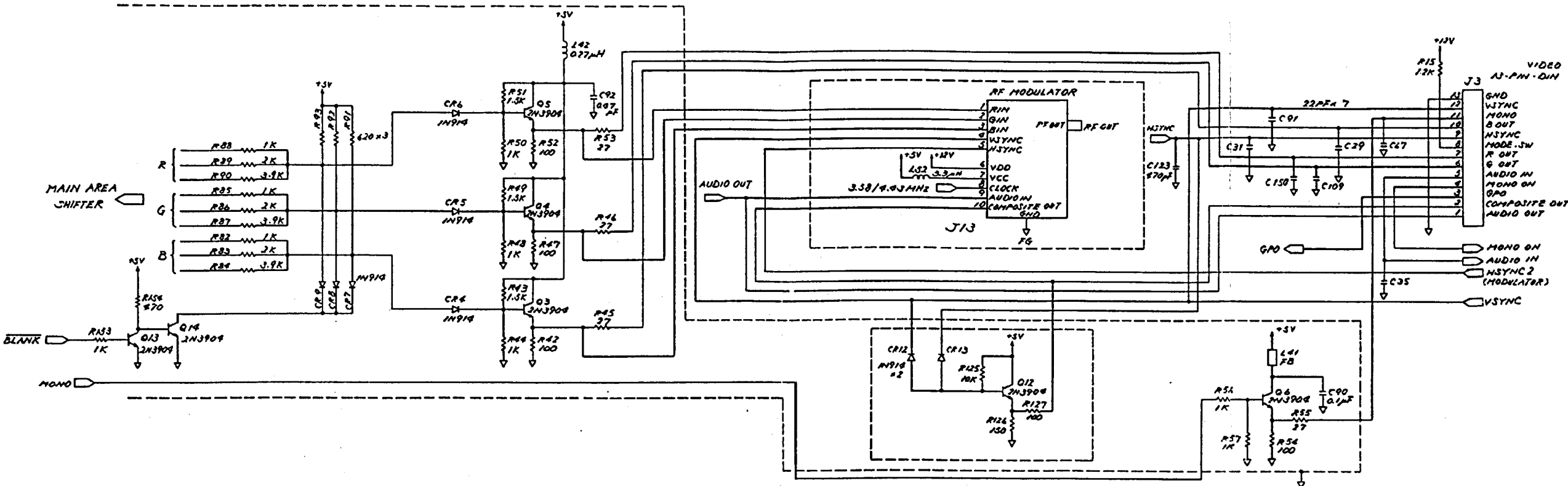


MODEL NO 1080STFM PART NO CA700152-XXX	DESIGNED BY DRAWN BY CHECKED BY APPROVED BY DATE	DATE DATE DATE DATE DATE	ATARI (JAPAN) CORPORATION Toranomon-Kyushu Building 3F 4-3-10, Toranomon-Minami, Tokyo 100 TITLE SCHEMATIC DIAGRAM 1080ST NO. DRAWING D. C070787 FILE NAME NONE
---	--	--------------------------------------	--



ST BLITTER	JUMPER	W 3	W 4
WITH ST BLITTER	OPEN	OPEN	OPEN
WITHOUT ST BLITTER	SOLDER JUMPER	SOLDER JUMPER	SOLDER JUMPER

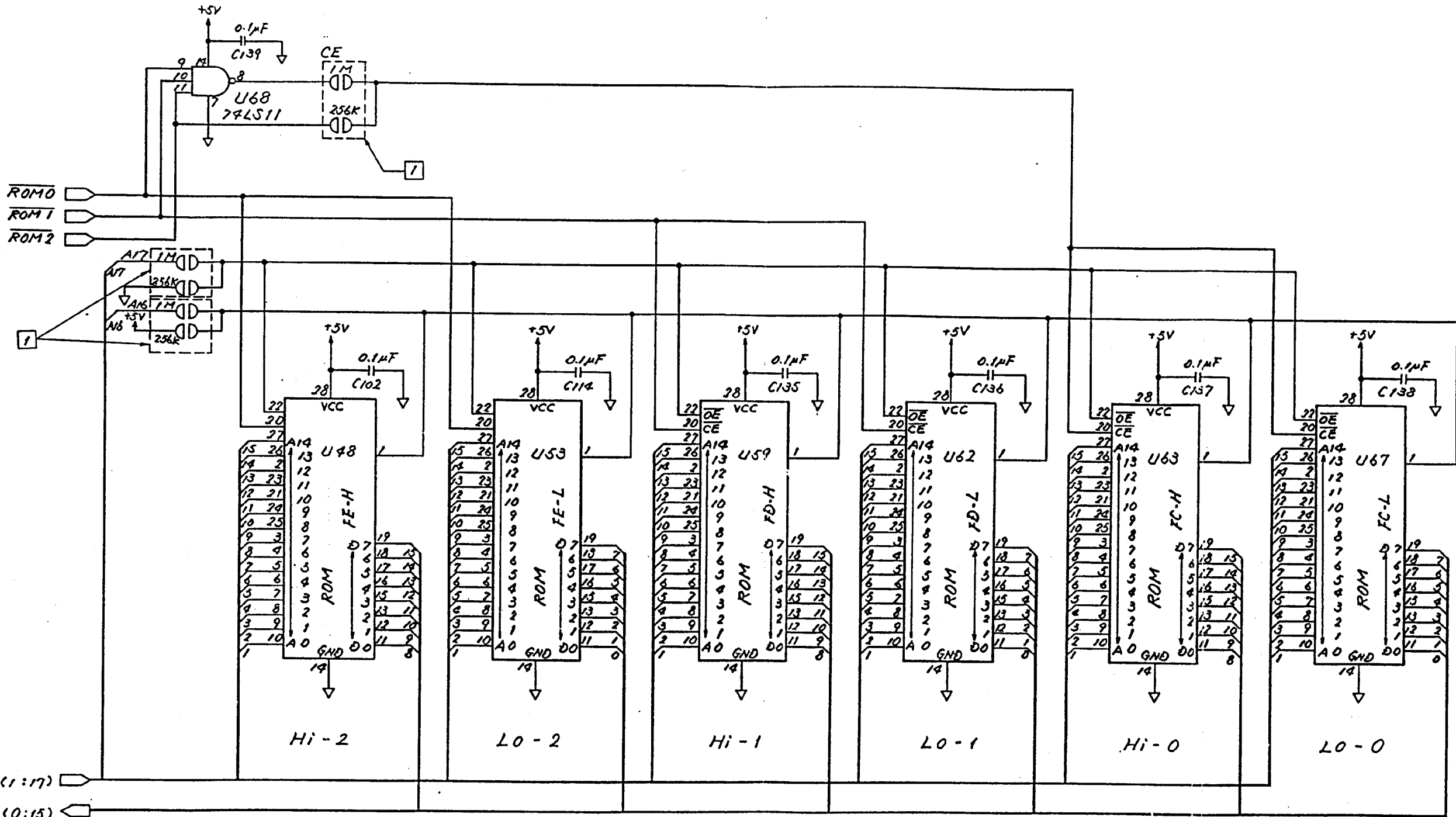
DESIGN	DRAWN BY	DATE	ATARI (JAPAN) CORPORATION Toranomon-Kojima Building 3F 4-3-10 Toranomon-Minami-Ku, Tokyo 106
NEXT UNIT	DATE	DATE	
MATERIALS	ENGINEER	DATE	TITLE
STATUS	APPROVED	DATE	D. C070787
			NO. 1090ST
			REV. 2 of 5



Y2:
NTSC 32.0434 MHz
PAL/SECAM 32.08988 MHz

Y3:
NTSC 3.579545 MHz
PAL 4.635618 MHz

DESIGNED BY	DATE	ATARI (JAPAN) CORPORATION Toranomon Kyushu Building 4-3-12, Toranomon, Minato-Ku, Tokyo 100
CHECKED BY	DATE	
APPROVED BY	DATE	SCHMATIC DIAGRAM 1040ST D: C070787
DATE	DATE	
REVISION	DATE	DRAWN BY CHECKED BY APPROVED BY DATE
DATE	DATE	MAKE NONS SHEET 3 OF 5

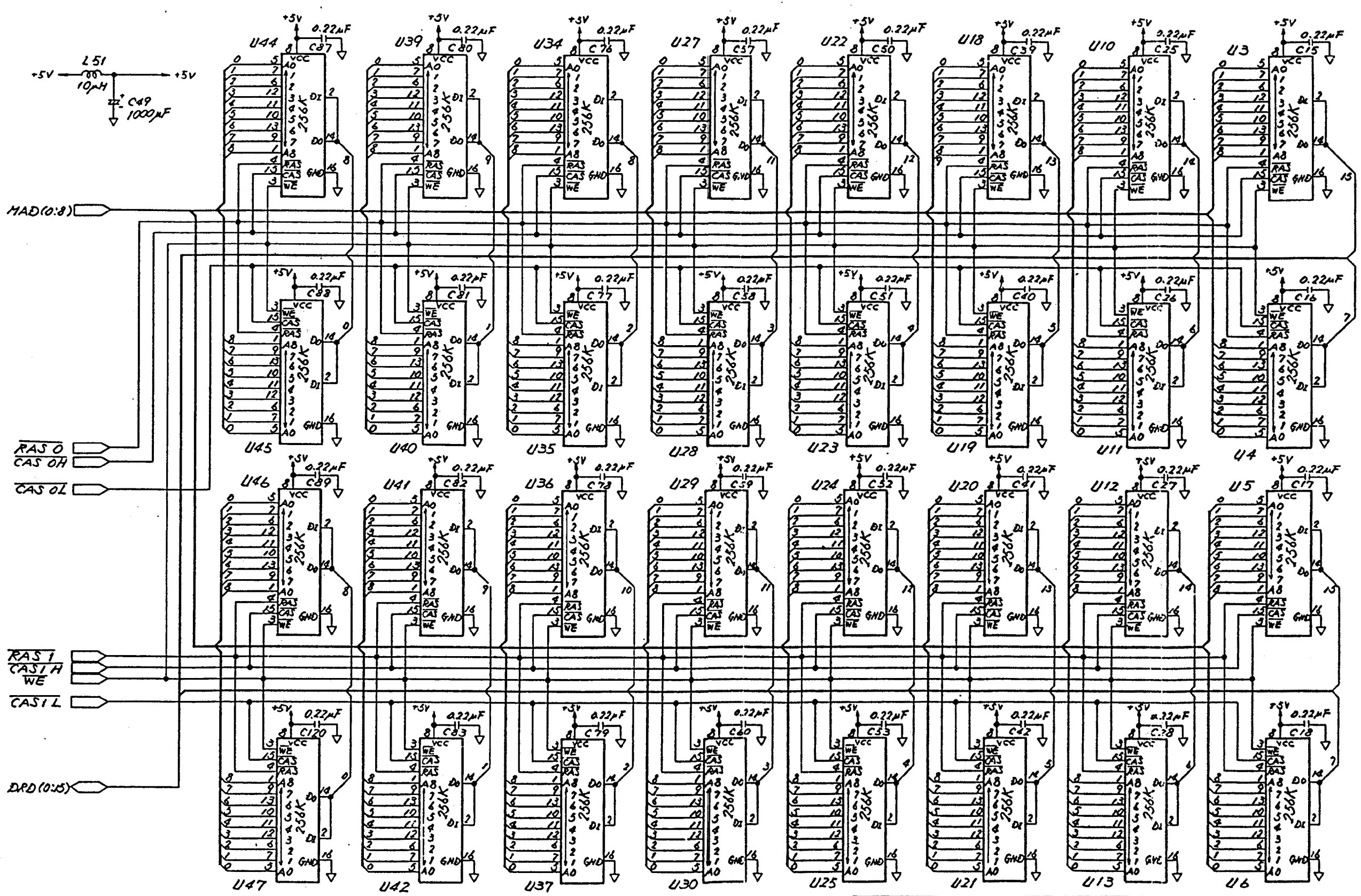


1 U48, U53;

PIN NO.	PIN ASSIGNMENTS	
	256 K	1 M
22	\overline{OE}	A17
1	NC	A16
20	\overline{CE}	\overline{CE}

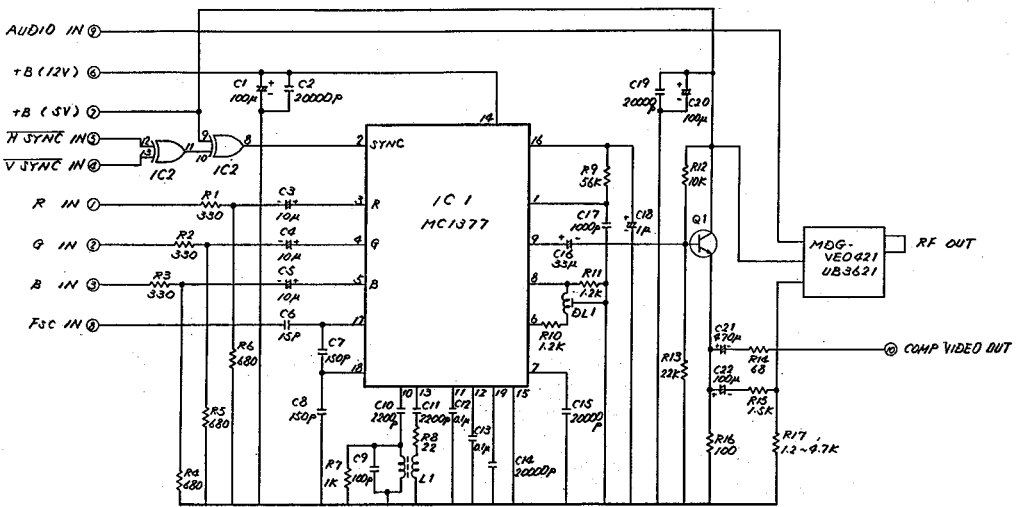
REV	REVISIONS DESCRIPTION	DATE	APPROVED
	SEE SHEET 1.		

USED-ON	DRAWN BY DATE H. Kawanishi 12-19-86	ATARI (JAPAN) CORPORATION Toranomon Kiyoshi Building 4-3-10, Toranomon Minato-ku, Tokyo 105	
NEXT ASSY	CHECKED DATE	TITLE SCHEMATIC DIAGRAM 1040ST	
MATERIAL	ENGINEER DATE K. Takaya 12-19-86	SIZE	DRAWING NO. C070787
FINISH	APPROVED DATE S. Ohtani 12/22/86	SCALE	NONE
	APPROVED DATE S. Ohtani 12/22/86	SHEET	4 OF 5



REV	REVISIONS DESCRIPTION	DATE	APPROVE
	SEE SHEET 1.		

USED ON	DRAWN BY H. KAWAMOTO	DATE 12-14-86	ATARI (JAPAN) CORPORATION Toranomon Kiyoshi Building 4-3-10, Toranomon Minato-ku, Tokyo 105
NEXT ASSY	CHECKED	DATE	
MATERIAL	ENGINEER K. KITAHARA	DATE 12-22-86	TITLE SCHEMATIC DIAGRAM 1090ST
FINISH	APPROVED S. OKAZAKI	DATE 1/27/87	SIZE C
			DRAWING NO. C070787
			REV C
			SCALE NONE
			SHEET 5 OF 5



4. COMPONENT PARTS VALUE : R = Ω , C = F
 3. Q1 : 2SC1684 OR EQUIVALENT
 2. IC2 : DN74LS86 OR EQUIVALENT
 1. IC1 : MC1377 OR EQUIVALENT
 NOTES - UNLESS OTHERWISE SPECIFIED:

TOLERANCES		USED ON	DRAWN BY	DATE
UNDER 30	± 0.1		M. Kawanishi	6-11-86
30 THRU 300	± 0.2	NEXT ASSY	CHECKED	DATE
OVER 300	± 0.4	MATERIAL	F. K. Yamano	6-13-86
		FINISH	ENGINEER	DATE
			K. Yamano	6-17-86
			APPROVED	DATE
				9/7/86

ATARI (JAPAN) CORPORATION Toranomon Kiyoshi Building 3F 4-3-10, Toranomon Minato-ku, Tokyo 105	
TITLE	
RGB/ENCODER MODULATOR	
SIZE	DRAWING NO.
B	C070518
REV	A
SCALE NONE	
SHEET 8 OF 10	