

Engineering Hardware Specification
of the
Atari ST Computer System

The Atari Corporation
Sunnyvale, California

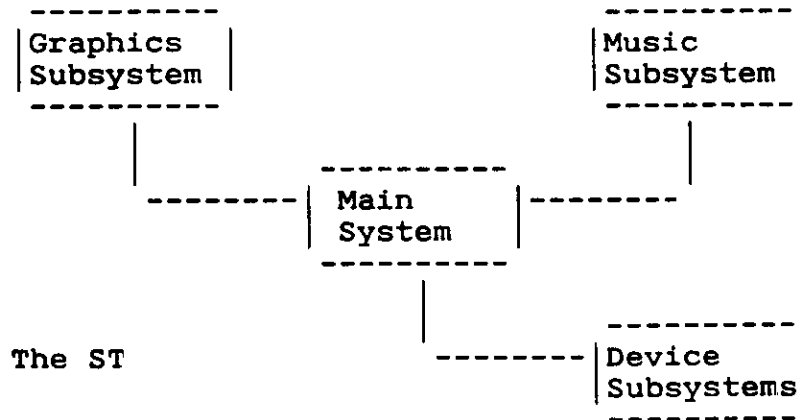
7 January 1986

Table of Contents

1. System Architecture	1
2. Main System	4
2.1. Microprocessor Unit	4
2.2. Memory Configuration	4
2.3. Direct Memory Access	5
3. Graphics Subsystem	7
3.1. Video Display Memory	7
3.2. Video Configuration	8
4. Music Subsystem	10
4.1. Sound Synthesizer	10
4.2. Musical Instrument Communication	10
5. Device Subsystems	12
5.1. Intelligent Keyboard	12
5.2. Video Interface	14
5.3. Parallel Interface	15
5.4. RS232 Interface	16
5.5. MIDI Interface	17
5.6. Disk Drive Interface	18
6. Components	23
7. Expansion	24
8. Memory Map	25
9. I/O Map	27
10. Interrupt Table	31
11. Case Design	32
12. Power Supply	33
Appendix A -- ikbd Keyboard Layout	34
Appendix B -- References	35
Appendix C -- Notes	36

THE SCOPE OF THIS DOCUMENT is limited to a description of the ST computer system hardware characteristics and idiosyncrasies. This document does not provide a detailed description of ST component parts, peripheral devices, device protocols, or software. References are provided for detailed inquiry.

1. System Architecture



The hardware architecture of the Atari Corporation ST (Sixteen/Thirty-two) computer system consists of a main system, a graphics subsystem, a music subsystem, and several device subsystems (most of the device subsystems require ST resident intelligence). The ST is based on the MC68000 16 bit data/24 bit address microprocessor unit capable of directly accessing up to 16 Mbytes of ROM and RAM memory. Hardware features of the ST computer system include:

Main System

- o 16 bit data/24 bit address 8 MHz microprocessor unit
- o 192 Kbyte ROM, cartridge expandable to 320 Kbyte
- o 512 Kbyte RAM or 1 Mbyte RAM
- o direct memory access support

Graphics Subsystem

- o 32 Kbyte BitMap video display memory (from above)
- o 320 x 200 pixel, 16 color palette from 512 selections
- o 640 x 200 pixel, 4 color palette from 512 selections
- o 640 x 400 pixel, monochrome

Music Subsystem

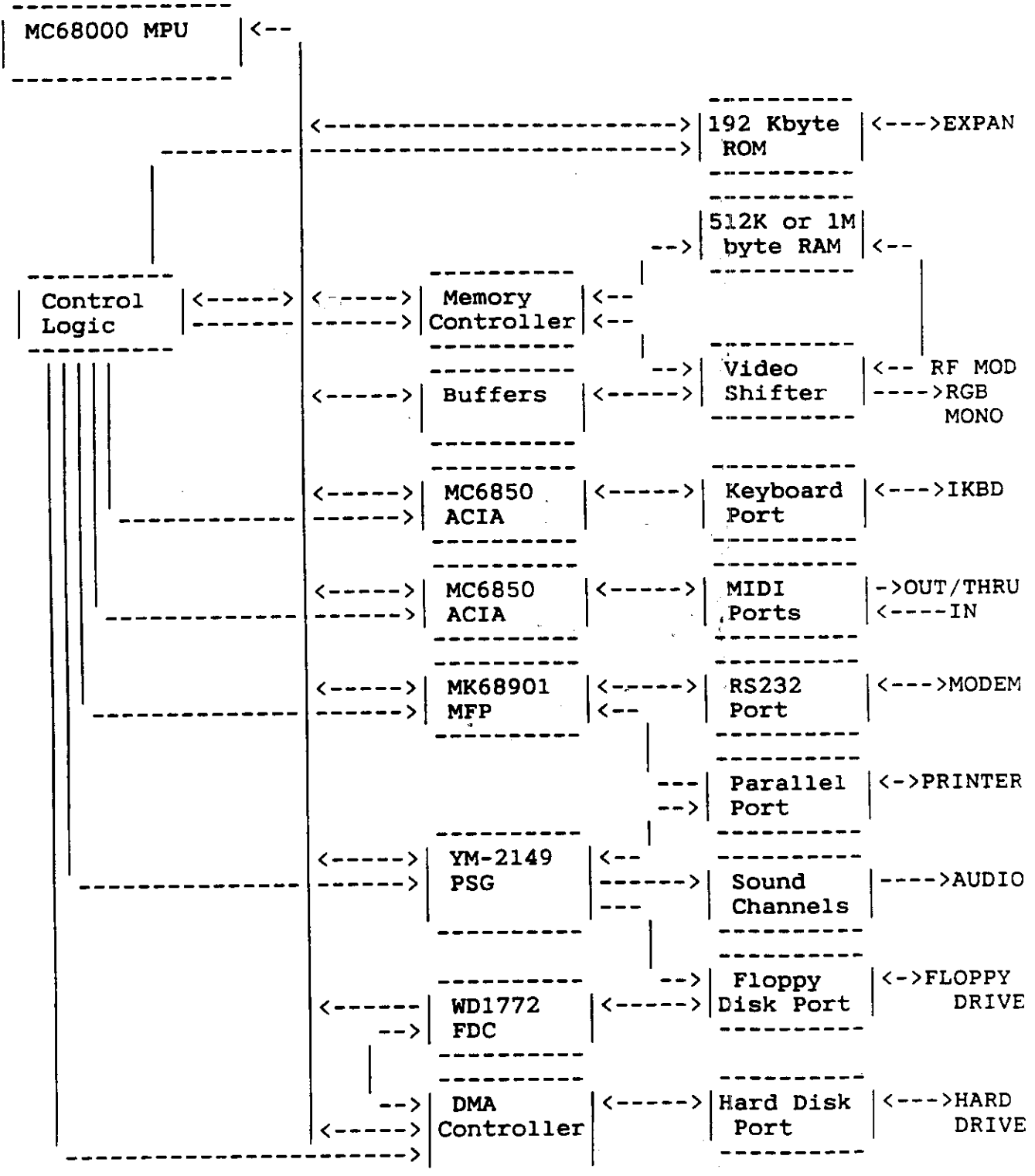
- o programmable sound synthesizer
- o musical instrument network communication

Device Subsystems

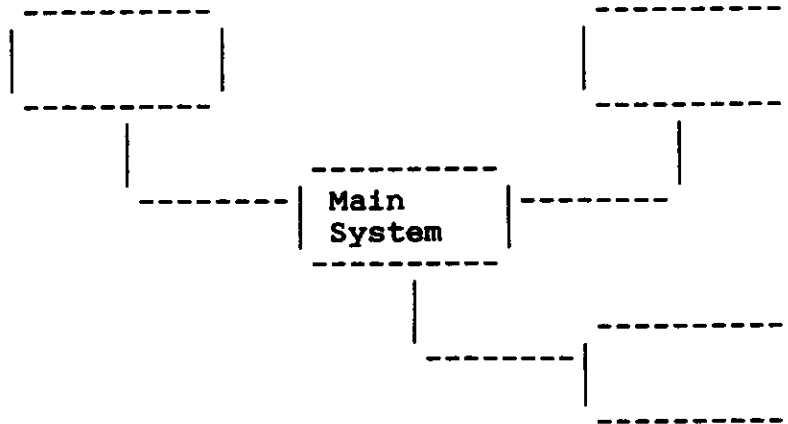
- o intelligent keyboard
- o two button mouse
- o RGB color and monochrome monitor interfaces
- o printer parallel interface
- o RS232 serial interface
- o MIDI musical instrument interface
- o on board floppy disk controller and DMA interface
- o hard disk drive DMA interface

The following is a simplified hardware system block diagram of the Atari ST:

----- Atari ST System Block Diagram -----



2. Main System



The main system includes the microprocessor unit, main memory (both ROM and RAM), and general purpose DMA controller. The main system is limited to memory expansion only and should not be considered an open system (except via the high speed device interfaces).

2.1. Microprocessor Unit

The ST computer system is based on an 8 MHz MC68000 16 bit data/24 bit address microprocessor unit (with an internal 32 bit architecture). Some features of the MC68000 are: eight 32 bit data registers, nine 32 bit address registers, a 16 Mbyte direct addressing range, 14 addressing modes, memory mapped I/O, five data types, and a 56 instruction set. The MPU is directly supported by an MK68901 Multi Function Peripheral providing general purpose interrupt control and timers, among other things.

2.2. Memory Configuration

The configuration of main memory consists of five 64 Kbyte sets of ROM (standard set0 to set2, expansion set3 and set4) and one configurable bank (standard bank0) of 128 Kbyte, 512 Kbyte, or 2 Mbyte RAM. The configuration of main memory ROM is ascertained through software identification. The configuration of main memory RAM is achieved via the programming of the Memory Configuration Register (read/write, reset: all zeros). RAM configuration must be asserted during the first steps of the power up sequence and can be determined by using the following shadow test algorithm:

- START o write 0x000a (2 Mbyte, 2 Mbyte) to the Memory Configuration Register.
- BANK0 o write Pattern to 0x000000 - 0x0001ff.
 o read Pattern from 0x000200 - 0x0003ff.
 o if Match, then Bank0 contains 128 Kbyte; goto BANK1.
 o read Pattern from 0x000400 - 0x0005ff.
 o if Match, then Bank0 contains 512 Kbyte; goto BANK1.
 o read Pattern from 0x000000 - 0x0001ff.
 o if Match, then Bank0 contains 2 Mbyte; goto BANK1.
 o panic: RAM error in Bank0.
- BANK1 o write Pattern to 0x200000 - 0x2001ff.
 o read Pattern from 0x200200 - 0x2003ff.
 o if Match, then Bank1 contains 128 Kbyte; goto FIN.
 o read Pattern from 0x200400 - 0x2005ff.
 o if Match, then Bank1 contains 512 Kbyte; goto FIN.
 o read Pattern from 0x200000 - 0x2001ff.
 o if Match, then Bank1 contains 2 Mbyte; goto FIN.
 o note: Bank1 nonexistent.
- FIN o write Configuration to the Memory Configuration Register.
 o note Total Memory Size (Top of RAM) for future reference.

RAM memory access cycles are interleaved between the microprocessor unit and the video controller, thus allowing video display memory to reside efficiently as part of main memory (the MPU still maintains full memory bandwidth).

2.3. Direct Memory Access

A direct main memory RAM access channel is shared to provide support for both low speed (250 to 500 Kbits/sec) and high speed (up to 12 Mbits/sec) 8 bit device controllers. The base address for the DMA read or write operation is loaded into the DMA Base Address and Counter Register (read/write, reset: all zeros). Since only one counter register and channel is provided, only one DMA operation can be executed at a time.

The actual DMA operation is performed through a 32 byte FIFO programmed via the DMA Mode Control Register (word access write only, reset: not affected) and DMA Sector Count Register (word access write only, reset: all zeros). The progress, success, or failure of a DMA operation is reported through the DMA Status Register (word access read only, reset: one) which is cleared by toggling Write/_Read in the DMA Mode Control Register.

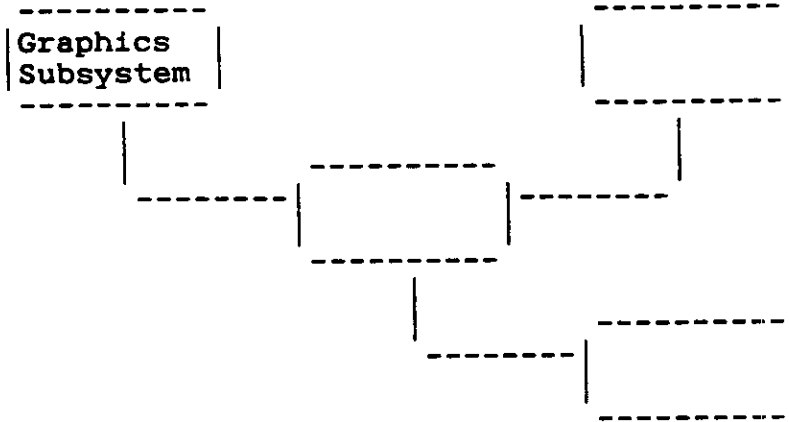
7 January 1986

6

Bus accesses are granted to the DMA controller and MC68000 MPU on an egalitarian first come, first served basis. The access remains in effect until an operation is complete or until control is otherwise relinquished.

Atari Corp Confidential

3. Graphics Subsystem



The basic components of the graphics subsystem are video display memory and the video controller. The definitions of BitMap, BitBlk, BitBlt, coordinate system, and color model are left to higher logical (software) levels of system specification.

3.1. Video Display Memory

Video display memory is configured as n logical planes interwoven by 16 bit words into contiguous memory to form one 32 Kbyte (actually 0x7d00) physical plane starting at any 256 byte half page boundary (in RAM only). The starting address of display memory is placed in the Video Base Address Register (read/write, reset: all zeros) which is then loaded into the Video Address Counter Register (read only, reset: all zeros) and incremented. The following is a diagram of possible physical configurations of video display memory:

16 bit word	-----				
4 plane	plane 0	plane 1	plane 2	plane 3	plane 0
2 plane	plane 0	plane 1	plane 0	plane 1	plane 0
1 plane	plane 0	plane 0	plane 0	plane 0	plane 0

Display memory resides as part of main memory and has an identical bit, byte, and word arrangement with the physical screen origin located at top left (bit 15):

	high	low
word 0	-----	-----
	byte 0	byte 1
	-----	-----
	fedcba98	76543210

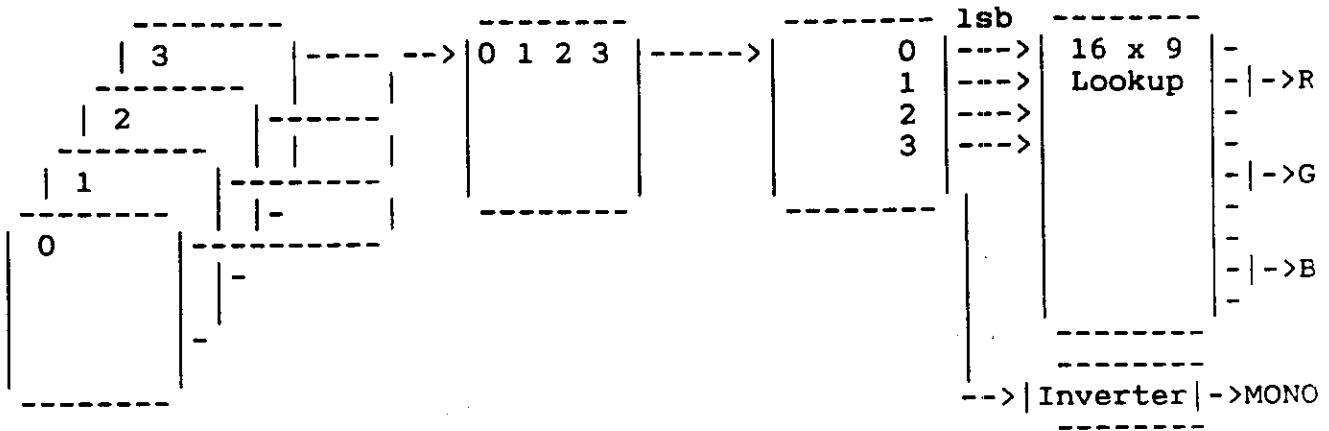
3.2. Video Configuration

The ST possesses three modes of video configuration: 320 x 200 resolution with 4 planes, 640 x 200 resolution with 2 planes, and 640 x 400 resolution with 1 plane. The modes are set through the Shift Mode Register (read/write, reset: all zeros). A sixteen word color lookup palette is provided with nine bits of color per entry. The sixteen Color Palette Registers (read/write, reset: not affected) contain three bits of red, green, and blue aligned on low nibble boundaries. Eight intensity levels of red, eight intensity levels of green, and eight intensity levels of blue produce a total of 512 possible colors.

In 320 x 200 4 plane mode all sixteen palette colors can be indexed, while in 640 x 200 2 plane mode only the first four palette entries are applicable. In 640 x 400 monochrome mode the color palette is bypassed altogether and is instead provided with an inverter for inverse video controlled by bit 0 of palette color 0 (normal video is black 0, white 1). Color palette memory is arranged the same as main memory. Palette color 0 is also used to assign a border color while in a multi-plane mode. In monochrome mode the border color is always black.

The general flow of the video controller is as follows: BitMap planes are taken a word at a time from video display memory and placed in the video shift register where one bit from each plane is shifted out and collectively used as an index (plane 0 is the least significant bit) to a color lookup palette entry which is supplied to 3 bit digital to analog converters to produce RGB output. The following is a block diagram of the video controller:

----- Video Controller Block Diagram -----



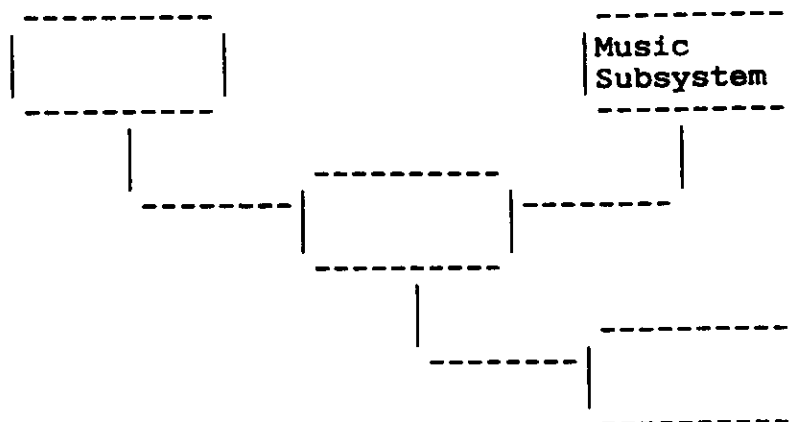
Logical BitMap
Planes

Video Display
Memory

Video Shift
Register

Color Palette
and 3 Bit
DACs

4. Music Subsystem



The ST music subsystem is composed of a programmable sound synthesizer and a musical instrument serial interface. The interface provides high speed serial communication of musical data to and from more sophisticated synthesizer device subsystems.

4.1. Sound Synthesizer

The YM-2149 Programmable Sound Generator produces music synthesis, sound effects, and audio feedback (eg alarms and key clicks). With an applied clock input of 2 MHz, the PSG is capable of providing a frequency response range between 30 Hz (audible) and 125 KHz (post-audible). The generator places a minimal amount of processing burden on the main system (which acts as the sequencer) and has the ability to perform using three independent voice channels. The three sound channel outputs are mixed, along with Audio In, and sent to an external television or monitor speaker (the PSG has built in digital to analog converters).

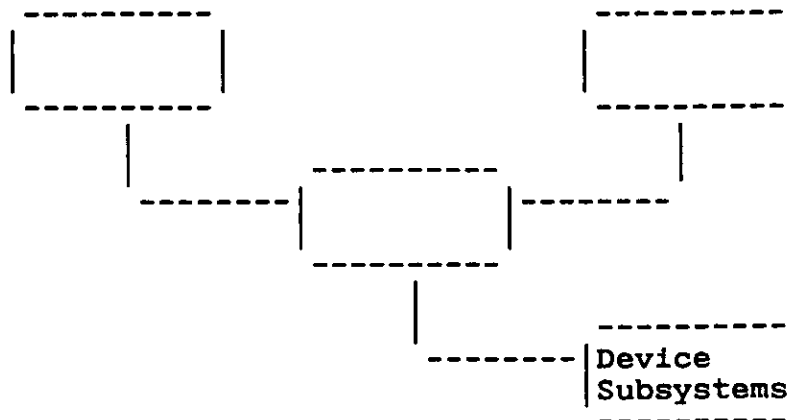
The sound generator's internal registers are accessed via the PSG Register Select Register (write only, reset: registers all zeros). The tone generator registers control a basic square wave while the noise generator register controls a frequency modulated square wave of pseudo random pulse width. Tones and noise can be mixed over individual channels by using the mixer control register. The amplitude registers allow the specification of a fixed amplitude or of a variable amplitude when used with the envelope generator. The envelope generator registers permit the entry of a skewed attack-decay-sustain-release envelope in the form of a continue-attack-alternate-hold envelope.

4.2. Musical Instrument Communications

The Musical Instrument Digital Interface (MIDI) allows the integration of the ST with music synthesizers, sequencers, drum boxes, and other devices possessing MIDI interfaces. High speed (31.25 Kbaud) serial communication of keyboard and program information is provided by two ports, MIDI OUT and MIDI IN (MIDI OUT also supports the optional MIDI THRU port).

The MIDI bus permits up to 16 channels in one of three network addressing modes: Omni (all units addressed simultaneously, power up default), Poly (each unit addressed separately), and Mono (each unit voice addressed separately). Information is communicated via five types of data format (data bytes, most significant bit: status 1, data 0) which are prioritized from highest to lowest as: System Reset (default conditions, should not be sent on power up to avoid deadlock), System Exclusive (manufacturer unique data: Sequential Circuits, Kawai, Roland, Korg, Yamaha), System Real Time (synchronization), System Common (broadcast), and Channel (note selections, program data, etc).

5. Device Subsystems



The ST supports seven device subsystems: an intelligent keyboard, video interface, parallel interface, RS232 interface, MIDI interface, floppy disk interface, and hard disk interface. Included with each device interface description is a port pin assignment chart with the ST and programmable signals justified left (pins that are not connected are not shown). The connector type on the ST is shown above each pin list with an S designating a female socket and a P designating a male plug.

5.1. Intelligent Keyboard

The Atari Intelligent Keyboard (ikbd) transmits encoded make/break key scan codes (with two key rollover), mouse/trackball data, joystick data, and time of day. The ikbd receives commands as well, with bidirectional communication controlled on the ST side by an MC6850 Asynchronous Communications Interface Adapter supplied with transmit and receive clock inputs of 500 KHz. The data transfer rate is a constant 7812.5 bits/sec which can be generated by setting the ACIA Counter Divide Select to divide by 64. All ikbd functions such as key scanning, mouse tracking, command parsing, etc. are performed by a 1 MHz HD6301V1 8 bit Micro-computer Unit.

The ikbd is equipped with a combination mouse/joystick port and a joystick only port. The Atari Two Button Mouse is a mechanical, opto-mechanical, or optical mouse with the following minimal performance characteristics: a resolution of 100 counts/inch (4 counts/mm), a maximum velocity of 10 inches/second (250 mm/second), and a maximum pulse phase error of 50 percent. The Atari Joystick is a 4 direction

switch-type joystick with one fire button. The ikbd can report movement using one of three mouse/joystick modes: mouse with joystick, disabled mouse with joystick, and joystick with joystick.

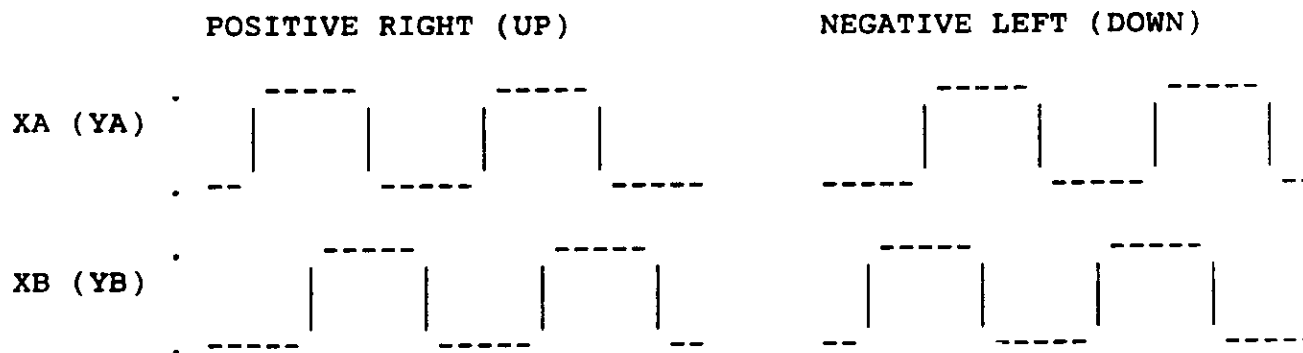
----- Mouse/Joystick0 Port Pin Assignments -----

ST	DB 9P	
IKBD MATRIX	1	<--- XB Pulse / Up Switch -----
IKBD MATRIX	2	<--- XA Pulse / Down Switch -----
IKBD MATRIX	3	<--- YA Pulse / Left Switch -----
IKBD MATRIX	4	<--- YB Pulse / Right Switch -----
IKBD MCU	6	<--- Left Button / Fire Button ---
	7	---- Power ----->
	8	---- Ground -----
IKBD MCU	9	<--- Right Button / Joy1 Fire ----

Signal Characteristics

mouse pins 1-4	TTL levels.
joystick0 pins 1-4	TTL levels.
pin 6	TTL levels, closure to ground.
pin 7	+5 VDC.
pin 9	TTL levels, closure to ground.

Mouse Phase Directions



----- Joystick1 Port Pin Assignments -----

ST	DB 9P	
IKBD MATRIX	1	<--- Up Switch ----->
IKBD MATRIX	2	<--- Down Switch ----->
IKBD MATRIX	3	<--- Left Switch ----->
IKBD MATRIX	4	<--- Right Switch ----->
IKBD MCU	6	<--- Fire Button ----->
	7	----- Power ----->
	8	----- Ground ----->

Signal Characteristics

pins 1-4,6
pin 7

TTL levels.
+5 VDC.

5.2. Video Interface

The ST video display interface supports low resolution (320 x 200 or 640 x 200) television receivers and composite monitors, low resolution (320 x 200 or 640 x 200) RGB monitors, and medium resolution (640 x 400) monochrome monitors. Both NTSC and PAL color encoding standards are available in two separate configurations of the video interface hardware. For United States television receivers, the modulated RF display signal is provided on two adjacent broadcast channels: channel 2 (55.25 MHz) and channel 3 (61.25 MHz). In order to protect against monitor damage while in medium resolution monochrome mode, the Monochrome Monitor Detect signal is provided as an interrupt on the MK68901 Multi Function Peripheral and can be tested to determine the presence of a monochrome monitor (active low, any change will generate the interrupt if enabled).

External/Internal syncs and 50/60 Hz field rates are selected via the Sync Mode Register (read/write, reset: all zeros). The YM-2149 Programmable Sound Generator I/O Port A provides a General Purpose Output for use in the control of functions such as the remote selection of monitor external or internal sync. Two autovector interrupts are generated to allow software synchronization with horizontal and vertical blanking intervals. The Horizontal Blanking (down) Counter MFP Timer B has an active high input signal and produces an interrupt when the counter times out (Event Count Mode). The horizontal blanking counter actually uses display enable, the first of which occurs at the end of the

first display line. The video display shift mode should be selected during the vertical blanking interval.

----- Video Port Pin Assignments -----

Television
ST

	RCA Pin Jack	

core		---- RF Modulated Video ----->
shield		---- Ground ----->

Monitor
ST

	Circular DIN 13S	

	1	---- Audio Out ----->
	2	---- Composite Video ----->
	3	---- General Purpose Output ----->
	4	<--- Monochrome Detect ----->
	5	<--- Audio In ----->
	6	---- Green ----->
	7	---- Red ----->
	8	---- Peritel Power ----->
	9	---- Horizontal Sync ----->
	10	---- Blue ----->
	11	---- Monochrome ----->
	12	---- Vertical Sync ----->
	13	---- Ground ----->

PSG I/O A
MFP

Signal Characteristics

pin 1	1 VDC peak to peak, 10 Kohm.
pin 2	1 VDC peak to peak, 75 ohm.
pin 3	TTL levels, assertion not assigned.
pin 4	TTL levels, active low, 1 Kohm pullup resistor to +5 VDC.
pin 5	1 VDC peak to peak, 10 Kohm.
pins 6-7	1 VDC peak to peak, 75 ohm. +12 VDC pullup.
pin 8	5 VDC active low, 3.3 Kohm.
pin 9	1 VDC peak to peak, 75 ohm.
pin 10	1 VDC peak to peak, 75 ohm.
pin 11	5 VDC active low, 3.3 Kohm.
pin 12	

5.3. Parallel Interface

The ST parallel interface supports Centronics STROBE from the YM-2149 PSG for data synchronization and Centronics BUSY to the MK68901 MFP (ACKNLG is not supported) for handshaking. Eight bits of read/write data are handled through I/O Port B on the PSG at a typical data transfer rate of 4000 bytes/second.

----- Parallel Port Pin Assignments -----

ST	DB 25S	
PSG I/O A	1	----- Centronics STROBE ----->
PSG I/O B	2	<---- Data 0 ----->
PSG I/O B	3	<---- Data 1 ----->
PSG I/O B	4	<---- Data 2 ----->
PSG I/O B	5	<---- Data 3 ----->
PSG I/O B	6	<---- Data 4 ----->
PSG I/O B	7	<---- Data 5 ----->
PSG I/O B	8	<---- Data 6 ----->
PSG I/O B	9	<---- Data 7 ----->
MFP	11	<---- Centronics BUSY ----->
	18-25	----- Ground ----->

Signal Characteristics

pin 1	TTL levels, active low.
pins 2-9	TTL levels.
pin 11	TTL levels, active high, 1 Kohm pullup resistor to +5 VDC.

5.4. RS 232 Interface

The ST RS232 interface provides voltage level synchronous or asynchronous serial communication. Five EIA RS232C handshake control signals are supported: Request To Send and Data Terminal Ready are transmitted through the YM-2149 PSG I/O Port A while Clear To Send, Data Carrier Detect, and Ring Indicator are received through the MK68901 MFP. The MFP USART transmit and receive clock inputs are controlled by the Baud Rate Generator MFP Timer D which is supplied with 2.4576 MHz and can support asynchronous data transfer rates from 50 to 19200 baud. One byte transmit and receive data buffers are managed by the MFP USART, which provides monitoring of buffer conditions and communication errors.

----- RS232 Port Pin Assignments -----

ST	DB 25P	
	1	---- Protective Ground -----
MFP	2	---- Transmitted Data ----->
MFP	3	<--- Received Data -----
PSG I/O A	4	---- Request To Send ----->
MFP	5	<--- Clear To Send -----
	7	---- Signal Ground -----
MFP	8	<--- Data Carrier Detect -----
PSG I/O A	20	---- Data Terminal Ready ----->
MFP	22	<--- Ring Indicator -----

Signal Characteristics

pins 2-5
pins 8,20,22

RS232C levels.
RS232C levels.

5.5. MIDI Interface

The ST MIDI interface provides current loop asynchronous serial communication controlled by an MC6850 ACIA supplied with transmit and receive clock inputs of 500 KHz. The data transfer rate is a constant 31.25 Kbaud which can be generated by setting the ACIA Counter Divide Select to divide by 16. The MIDI specification calls for serial data to consist of eight data bits preceded by a start bit and followed by one stop bit.

----- MIDI Port Pin Assignments -----

```

MIDI OUT/THRU
ST          Circular DIN 5S
-----
MIDI IN    1 | ---- THRU Transmit Data -----> |
           2 | ---- Shield Ground -----> |
           3 | <--- THRU Loop Return -----> |
MIDI ACIA  4 | ---- OUT Transmit Data -----> |
           5 | <--- OUT Loop Return -----> |
-----

```

```

MIDI IN
ST          Circular DIN 5S
-----
MIDI ACIA  4 | <--- IN Receive Data -----> |
           5 | ---- IN Loop Return -----> |
-----

```

Signal Characteristics

current loop 5 ma, zero is current on.

5.6. Disk Drive Interface

The ST floppy disk drive interface is provided through the DMA controller to an on board WD1772 Floppy Disk Controller. A total of two daisy chained floppy disk drives (drive 0 or 1) can be supported. Commands are sent to the FDC by first writing to the DMA Mode Control Register to select the FDC internal command register and then writing the desired one byte command to the Disk Controller Register. The entire floppy disk DMA read or write sequence is as follows:

- o select floppy drive 0 or 1 (PSG I/O Port A).
- o select floppy side 0 or 1 (PSG I/O Port A).
- o load DMA Base Address and Counter Register.
- o toggle Write/Read to clear status (DMA Mode Control Register).
- o select DMA read or write (DMA Mode Control Register).
- o select DMA Sector Count Register (DMA Mode Control Register).
- o load DMA Sector Count Register (DMA operation trigger).
- o select FDC internal command register (DMA Mode Control Register).
- o issue FDC read or write command (Disk Controller Register).
- o DMA active until sector count is zero (DMA Status Register, do not poll during DMA active).
- o issue FDC force interrupt command on multi-sector transfers

- o except at track boundaries (Disk Controller Register).
- o check DMA error status (DMA Status Register, nondestructive).

The detection of floppy disk removal is not supported in hardware.

The ST hard disk drive interface is also provided through the DMA controller, however the Atari Hard Disk Controller is off board and is sent commands using an ANSI X3T9.2 SCSI-like (Small Computer Systems Interface) command descriptor block protocol. The Atari Hard Disk Interface (AHDI) supports a minimal subset of SCSI commands (Class 0 OpCodes), which are dispatched using the following fixed six byte Atari Computer System Interface (ACSI) command packet format:

----- ACSI Command Descriptor Block -----

Byte 0	xxxxxxxx	
		----- Operation Code
		----- Controller Number
Byte 1	xxxxxxxx	
		----- Block Address High
		----- Device Number
Byte 2	xxxxxxxx	
		----- Block Address Mid
Byte 3	xxxxxxxx	
		----- Block Address Low
Byte 4	xxxxxxxx	
		----- Block Count
Byte 5	xxxxxxxx	
		----- Control Byte

The following is a summary of available command OpCodes:

----- AHDI Command Summary Table -----

OpCode	Command	
0x00	Test Unit Ready	
0x05	Verify Track	*
0x06	Format Track	*
0x08	Read	*
0x0a	Write	*
0x0b	Seek	
0x0d	Correction Pattern	
0x15	Mode Select	
0x1a	Mode Sense	

* multisector transfer with implied seek

NOTE: subject to change.

Commands are issued to the Atari HDC in a manner similar to that of the FDC, with the major difference being the handshaking of a multi-byte command descriptor block. The entire hard disk DMA read or write sequence is as follows:

- o load DMA Base Address and Counter Register.
- o toggle Write/_Read to clear status (DMA Mode Control Register).
- o select DMA read or write (DMA Mode Control Register).
- o select DMA Sector Count Register (DMA Mode Control Register).
- o load DMA Sector Count Register (DMA operation trigger).
- o select HDC internal command register (DMA Mode Control Register).
- o issue controller select byte while clearing A0.
- o set A0 for remaining command bytes.
- o after last command byte select controller (DMA Mode Control Register).
- o DMA active until sector count is zero (DMA Status Register, do not poll during DMA active).
- o check DMA error status (DMA Status Register, nondestructive).
- o check HDC status byte and if necessary perform ECC correction following a Verify Track or Read Sector command.

The format of both floppy and hard disks contain 512 byte data sectors.

----- Floppy Disk Port Pin Assignments -----

ST	Circular DIN 14S
	1 <--- Read Data ----->
PSG I/O A	2 ---- Side0 Select ----->
	3 ---- Logic Ground ----->
	4 <--- Index Pulse ----->
PSG I/O A	5 ---- Drive0 Select ----->
PSG I/O A	6 ---- Drive1 Select ----->
	7 ---- Logic Ground ----->
	8 ---- Motor On ----->
	9 ---- Direction In ----->
	10 ---- Step ----->
	11 ---- Write Data ----->
	12 ---- Write Gate ----->
	13 <--- Track 00 ----->
	14 <--- Write Protect ----->

NOTE: shield ground must not be connected on the ST side, the cable must have Read Data and Write Data paired with Logic Grounds.

Signal Characteristics

pin 1	TTL levels, active low, 1 Kohm pullup resistor to +5 VDC.
pin 2	TTL levels, active high, high at system reset.
pin 4	TTL levels, active low, 1 Kohm pullup resistor to +5 VDC.
pins 5-6	TTL levels, active low, high at system reset.
pins 8-12	TTL levels, active low (inverted).
pins 13-14	TTL levels, active low, 1 Kohm pullup resistors to +5 VDC.

----- Hard Disk Port Pin Assignments -----

ST	DB 19S	
	1	<--- Data 0 ----->
	2	<--- Data 1 ----->
	3	<--- Data 2 ----->
	4	<--- Data 3 ----->
	5	<--- Data 4 ----->
	6	<--- Data 5 ----->
	7	<--- Data 6 ----->
	8	<--- Data 7 ----->
	9	---- Chip Select ----->
MFP	10	<--- Interrupt Request -----
	11	---- Ground -----
	12	---- Reset ----->
	13	---- Ground -----
	14	---- Acknowledge ----->
	15	---- Ground -----
	16	---- A1 ----->
	17	---- Ground -----
	18	---- Read/Write ----->
	19	<--- Data Request -----

Signal Characteristics

pins 1-8	TTL levels.
pin 9	TTL levels, active low.
pin 10	TTL levels, active low, 1 Kohm pullup resistor to +5 VDC.
pin 12	TTL levels, active low, system reset.
pin 14	TTL levels, active low.
pins 16,18	TTL levels.
pin 19	TTL levels, active low, 1 Kohm pullup resistor to +5 VDC.

6. Components

The standard configurations of the Atari ST main system, graphics subsystem, music subsystem, and device subsystems are made up of the following major hardware components:

- Main
 - o 8 MHz MC68000 Microprocessor Unit
 - o MK68901 Multi Function Peripheral
 - o 192 Kbyte ROM
 - o 512 Kbyte or 1 Mbyte RAM
 - o Memory Controller Chip
 - o Control Logic Chip
 - o DMA Controller Chip

- Graphics
 - o 32 Kbyte Display Memory (from main RAM)
 - o Video Shift Register Chip

- Music
 - o YM-2149 Programmable Sound Generator

- Device
 - o Atari Intelligent Keyboard (ikbd)
 - o 1 MHz HD6301V1 Microcomputer Unit
 - o Atari Two Button Mouse
 - o 2 MC6850 Asynchronous Communications Interface Adapters
 - o WD1772 Floppy Disk Controller

7. Expansion

The Atari ST can be expanded by cartridge ROM only which can contain a maximum of 128 Kbyte. The disclosure of cartridge presence or memory size is not supported in hardware. The ROM cartridge slot has the following pin assignments (only the lower 15 address lines are available):

----- ROM Port Pin Assignments -----

ST	40S	
	1	----- Power +5 VDC ----->
	2	----- Power +5 VDC ----->
	3	<---- Data 14 ----->
	4	<---- Data 15 ----->
	5	<---- Data 12 ----->
	6	<---- Data 13 ----->
	7	<---- Data 10 ----->
	8	<---- Data 11 ----->
	9	<---- Data 8 ----->
	10	<---- Data 9 ----->
	11	<---- Data 6 ----->
	12	<---- Data 7 ----->
	13	<---- Data 4 ----->
	14	<---- Data 5 ----->
	15	<---- Data 2 ----->
	16	<---- Data 3 ----->
	17	<---- Data 0 ----->
	18	<---- Data 1 ----->
	19	----- Address 13 ----->
	20	----- Address 15 ----->
	21	----- Address 8 ----->
	22	----- Address 14 ----->
	23	----- Address 7 ----->
	24	----- Address 9 ----->
	25	----- Address 6 ----->
	26	----- Address 10 ----->
	27	----- Address 5 ----->
	28	----- Address 12 ----->
	29	----- Address 11 ----->
	30	----- Address 4 ----->
	31	----- ROM3 Select ----->
	32	----- Address 3 ----->
	33	----- ROM4 Select ----->
	34	----- Address 2 ----->
	35	----- Upper Data Strobe ----->
	36	----- Address 1 ----->
	37	----- Lower Data Strobe ----->
38-40		----- Ground ----->

8. Memory Map

The first 2 Kbyte of ST memory is reserved for the exception vector table and supervisor stack. This area along with I/O space is protected for supervisor references only. Accessing supervisor protected areas while in the user state will result in a bus error. A 4 word portion of ROM is shadowed at the start of RAM for the reset stack pointer and program counter. Writing to this area or any ROM location will also result in a bus error. The following is a map of ST memory:

----- ST Memory Map -----

00 0000	ROM	Reset:Supervisor Stack Pointer
00 0004	ROM	Reset:Program Counter
00 0008	RAM	0 Kbyte RAM
.		
08 0000	RAM	512 Kbyte RAM
.		
10 0000	RAM	1 Mbyte RAM
.		
.		
fa 0000	ROM	320 Kbyte ROM
.		
fc 0000	ROM	Reset:Supervisor Stack Pointer
fc 0004	ROM	Reset:Program Counter
fc 0008	ROM	192 Kbyte ROM
fe ffff	ROM	0 Kbyte ROM
.		
.		
ff 8000	I/O	Configuration Registers
ff 8200	I/O	Display Registers
ff 8400	I/O	Reserved
ff 8600	I/O	DMA/Disk Registers
ff 8800	I/O	Sound Registers
.		
ff fa00	I/O	MC68xxx Registers
ff fc00	I/O	MC68xx Registers

9. I/O Map

The ST I/O space ranges from ff 0000 to ff ffff, with MC68000 and MC6800 peripheral internal registers starting at ff fa00 and ff fc00 respectively. Accessing reserved I/O addresses will result in a bus error. Bit values for various read and/or write registers are labeled as active One/_Zero (always mask out unused field bits). The following is a map of ST I/O space:

Configuration

ff 8001	R/W	----xxxx	Memory Configuration
		-----	Bank0 Bank1 (not used)
		0000	128 Kbyte 128 Kbyte
		0001	128 Kbyte 512 Kbyte
		0010	128 Kbyte 2 Mbyte
		0011	Reserved
		0100	512 Kbyte 128 Kbyte
		0101	512 Kbyte 512 Kbyte
		0110	512 Kbyte 2 Mbyte
		0111	Reserved
		1000	2 Mbyte 128 Kbyte
		1001	2 Mbyte 512 Kbyte
		1010	2 Mbyte 2 Mbyte
		1011	Reserved
		11xx	Reserved

Display

ff 8201	R/W	xxxxxxxx	Video Base High
ff 8203	R/W	xxxxxxxx	Video Base Mid
ff 8205	R	xxxxxxxx	Video Address Counter High
ff 8207	R	xxxxxxxx	Video Address Counter Mid
ff 8209	R	xxxxxxxx	Video Address Counter Low
ff 820a	R/W	-----xx	Sync Mode
		----	External/_Internal Sync
		-----	50 Hz/_60 Hz Field Rate
ff 8240	R/W	-----xxx-xxx-xxx	Palette Color 0/0 (Border)
			----- Inverted/_Normal Monochrome
			----- Blue
			----- Green
			----- Red
ff 8242	R/W	-----xxx-xxx-xxx	Palette Color 1/1

ff 8244	R/W	-----xxx-xxx-xxx	Palette Color 2/2
ff 8246	R/W	-----xxx-xxx-xxx	Palette Color 3/3
ff 8248	R/W	-----xxx-xxx-xxx	Palette Color 4
ff 824a	R/W	-----xxx-xxx-xxx	Palette Color 5
ff 824c	R/W	-----xxx-xxx-xxx	Palette Color 6
ff 824e	R/W	-----xxx-xxx-xxx	Palette Color 7
ff 8250	R/W	-----xxx-xxx-xxx	Palette Color 8
ff 8252	R/W	-----xxx-xxx-xxx	Palette Color 9
ff 8254	R/W	-----xxx-xxx-xxx	Palette Color 10
ff 8256	R/W	-----xxx-xxx-xxx	Palette Color 11
ff 8258	R/W	-----xxx-xxx-xxx	Palette Color 12
ff 825a	R/W	-----xxx-xxx-xxx	Palette Color 13
ff 825c	R/W	-----xxx-xxx-xxx	Palette Color 14
ff 825e	R/W	-----xxx-xxx-xxx	Palette Color 15

ff 8260	R/W	-----xx	Shift Mode
		00	320 x 200, 4 Plane
		01	640 x 200, 2 Plane
		10	640 x 400, 1 Plane
		11	Reserved

RESERVED

ff 8400 |-----| Reserved

DMA/Disk

ff 8600		-----	Reserved
ff 8602		-----	Reserved
ff 8604	R/W	-----xxxxxxxx	Disk Controller (Word Access)
ff 8606	R	-----xxx	DMA Status (Word Access)
			Error Status
			Sector Count Zero Status
			Data Request Inact Status
ff 8606	W	-----xxxxxxxx-	DMA Mode Control (Word Access)
			A0
			A1
			HDC/_FDC Register Select
			Sector Count Registr Select
			Reserved
			Disable/_Enable DMA
			FDC/_HDC
			Write/_Read
ff 8609	R/W	xxxxxxxx	DMA Base and Counter High
ff 860b	R/W	xxxxxxxx	DMA Base and Counter Mid

ff 860d R/W |xxxxxxxx| DMA Base and Counter Low

Sound

ff 8800 R |xxxxxxxx| PSG Read Data
 ||||| I/O Port B
 ----- Parallel Interface Data
 ff 8800 W |xxxxxxxx| PSG Register Select

- ||||
 ----- Register Number
- 0000 Channel A Fine Tune
 - 0001 Channel A Coarse Tune
 - 0010 Channel B Fine Tune
 - 0011 Channel B Coarse Tune
 - 0100 Channel C Fine Tune
 - 0101 Channel C Coarse Tune
 - 0110 Noise Generator Control
 - 0111 Mixer Control - I/O Enable
 - 1000 Channel A Amplitude
 - 1001 Channel B Amplitude
 - 1010 Channel C Amplitude
 - 1011 Envelope Period Fine Tune
 - 1100 Envelope Period Coarse Tune
 - 1101 I/O Port A (Output Only)
 - 1111 I/O Port B

ff 8802 W |xxxxxxxx| PSG Write Data
 ||||| I/O Port A
 ----- Flppy Sde0/_Sidel Select
 ----- Floppy _Drive0 Select
 ----- Floppy _Drivel Select
 ----- RS232 Request To Send
 ----- RS232 Data Termnal Ready
 ----- Centronics _STROBE
 ----- General Purpose Output
 ----- Reserved
 ||||| I/O Port B
 ----- Parallel Interface Data

MC68xxx

ff fa01 |xxxxxxxx| MFP General Purpose I/O
 ff fa03 |xxxxxxxx| MFP Active Edge
 ff fa05 |xxxxxxxx| MFP Data Direction
 ff fa07 |xxxxxxxx| MFP Interrupt Enable A
 ff fa09 |xxxxxxxx| MFP Interrupt Enable B
 ff fa0b |xxxxxxxx| MFP Interrupt Pending A
 ff fa0d |xxxxxxxx| MFP Interrupt Pending B
 ff fa0f |xxxxxxxx| MFP Interrupt In-Service A
 ff fall |xxxxxxxx| MFP Interrupt In-Service B
 ff fal3 |xxxxxxxx| MFP Interrupt Mask A

ff fa15	xxxxxxxx	MFP Interrupt Mask B
ff fa17	xxxxxxxx	MFP Vector
ff fa19	xxxxxxxx	MFP Timer A Control
ff fa1b	xxxxxxxx	MFP Timer B Control
ff fa1d	xxxxxxxx	MFP Timers C and D Control
ff fa1f	xxxxxxxx	MFP Timer A Data
ff fa21	xxxxxxxx	MFP Timer B Data
ff fa23	xxxxxxxx	MFP Timer C Data
ff fa25	xxxxxxxx	MFP Timer D Data
ff fa27	xxxxxxxx	MFP Sync Character
ff fa29	xxxxxxxx	MFP USART Control
ff fa2b	xxxxxxxx	MFP Receiver Status
ff fa2d	xxxxxxxx	MFP Transmitter Status
ff fa2f	xxxxxxxx	MFP USART Data

MC68xx

ff fc00	xxxxxxxx	Keyboard ACIA Control
ff fc02	xxxxxxxx	Keyboard ACIA Data
ff fc04	xxxxxxxx	MIDI ACIA Control
ff fc06	xxxxxxxx	MIDI ACIA Data

10. Interrupt Table

The following tables list the ST interrupt and signal priority assignments:

----- MC68000 Interrupt Autovector -----

Level	Definition
7 (HIGHEST)	NMI
6	MK68901 MFP
5	
4	Vertical Blanking (Sync)
3	
2	Horizontal Blanking (Sync)
1 (LOWEST)	

NOTE: only interrupt priority level inputs 1 and 2 are used.

----- MK68901 Interrupt Control -----

Priority	Definition	
15 (HIGHEST)	Monochrome Monitor Detect	I7
14	RS232 Ring Indicator	I6
13	System Clock / BUSY	TA
12	RS232 Receive Buffer Full	
11	RS232 Receive Error	
10	RS232 Transmit Buffer Empty	
9	RS232 Transmit Error	
8	Horizontal Blanking Counter	TB
7	Disk Drive Controller	I5
6	Keyboard and MIDI	I4
5	Timer C	TC
4	RS232 Baud Rate Generator	TD
3	GPU Operation Done	I3
2	RS232 Clear To Send	I2
1	RS232 Data Carrier Detect	I1
0 (LOWEST)	Centronics BUSY	I0

NOTE: the MC6850 ACIA Interrupt Request status bit must be tested to differentiate between keyboard and MIDI interrupts.

11. Case Design

The ST is primarily designed as a keyboard computer with external video display, disk drives, and power supply. The top panel contains the keyboard, ventilation slots (bottom also), and power on LED. The side panels contain the expansion ROM slot and mouse/joystick ports. The back panel contains the on/off switch, reset button, channel select switch, power connector, and all remaining device connectors: video, parallel, RS232, MIDI, and disk drive interfaces.

The device ports are labeled with International Electrotechnical Commission-like symbols in combinations of pictograms and phonetic transcriptions (captions). In the case of MIDI, the specification explicitly requires that the MIDI connectors be labeled MIDI OUT, MIDI IN, and MIDI THRU (if applicable).

12. Power Supply

An external DC power supply provides power to the main system board, keyboard, expansion ROM, and expansion RAM. All power levels are regulated for over-voltage and over-current protection. The following are minimal power supply specifications:

AC Input	115 VAC 10% at 60 Hz (fused)
DC Output	+5 VDC at 3 A 5%
	+12 VDC at .03 A 10%
	-12 VDC at .03 A 10%

----- Power Port Pin Assignments -----

ST	DIN 7P	
	1	<--- +5 VDC -----
	3	---- Ground -----
	4	<--- +12 VDC -----
	5	<--- -12 VDC -----
	6	<--- +5 VDC -----
	7	---- Ground -----

Appendix A -- ikbd Keyboard Layout

The surface of the Atari Intelligent Keyboard is formed from four distinct ergonomic units: a QWERTY typewriter matrix, a function key array, a screen control cluster, and a calculator numeric keypad. As a whole, the United States version of the keyboard layout is DEC VT100-like with the exception of the following items:

- o removed keys -- [break], [line feed], [no scroll], [set up].
- o repositioned keys -- [caps lock], cursor control keys, programmable function keys.
- o added keys -- [alternate], [help], [undo], [insert], [clear/home], 10 programmable function keys.
- o improvements -- DEC VT200-style inverted T cursor control keys, full calculator function numeric keypad.

Please note that the left [shift] key is intentionally large to allow space for an extra ISO required key (see ISO 2530-1975). Atari ikbd International Layouts will be designed for the following countries:

- o United Kingdom
- o United States
- o Finland
- o Norway / Denmark
- o Sweden
- o Japan
- o Germany
- o French Canada
- o France
- o Italy
- o Spain

NOTE: the 'HELP' and 'UNDO' keys will be left untranslated.

Appendix B -- References

General

A Hitchhiker's Guide to the BIOS

Digital Research GEM Software Documentation

Main System

Motorola MC68000 16-Bit Microprocessor User's Manual, Fourth Edition

Mostek MK68901 Multi Function Peripheral Data Sheet

Graphics Subsystem

Adele Goldberg and David Robson, 'Smalltalk-80: The Language and Its Implementation', Addison-Wesley, Reading Massachusetts, 1983, Chapter 18.

Music Subsystem

General Instrument AY-3-8910 Programmable Sound Generator Data Sheet

MIDI Musical Instrument Digital Interface Specification 1.0

Device Subsystems

Atari Intelligent Keyboard (ikbd) Protocol and Specification

Motorola MC6850 Asynchronous Communications Interface Adapter Data Sheet

Centronics Parallel Interface Specification

Electronic Industries Association RS232C Standard

Western Digital WD1770/1772 Floppy Disk Controller Data Sheet

Specification of the Atari Computer System Interface (ACSI)

Specification of the Atari Hard Disk Interface (AHDI)

Appendix C -- Notes

General

851125A An address error occurs when a word instruction is used on a byte address.

Main System

841017B The DMA Base Address and Counter Register must be loaded in low, mid, high order.

Graphics Subsystem

841017C None.

Music Subsystem

841017D The YM-2149 PSG I/O space and registers should be set up as critical regions in software.

Device Subsystems

841017F Poll or service the Disk Drive Controller interrupt on the MK68901 MFP General Purpose I/O Register to detect the completion of a WD1772 FDC command. Do not poll the FDC Busy or DMA Sector Count Zero status bits.

841017G Select the Sector Count Register before testing the DMA Status Register Error bit.

841017H Do not set the 30 ms Settling Delay bit on WD1772 FDC type 2 and 3 command executions.

841017I A force interrupt should be issued after a few seconds (ie time out) on all commands sent to the WD1772 FDC.

841017J Wait until the WD1772 FDC Motor On status is low before deselecting a floppy drive.

841017K A floppy disk drive configuration table should be maintained in software to accommodate a diverse selection of 3.5 inch floppy disk drives. Two floppy disk drives currently under evaluation have the following characteristics:

- o 500 Kbyte unformatted, 80 cylinders, one head, 3 ms stepping rate.
- o 1 Mbyte unformatted, 80 cylinders, two heads, 3 ms stepping rate.