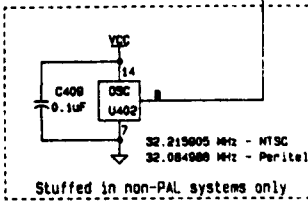
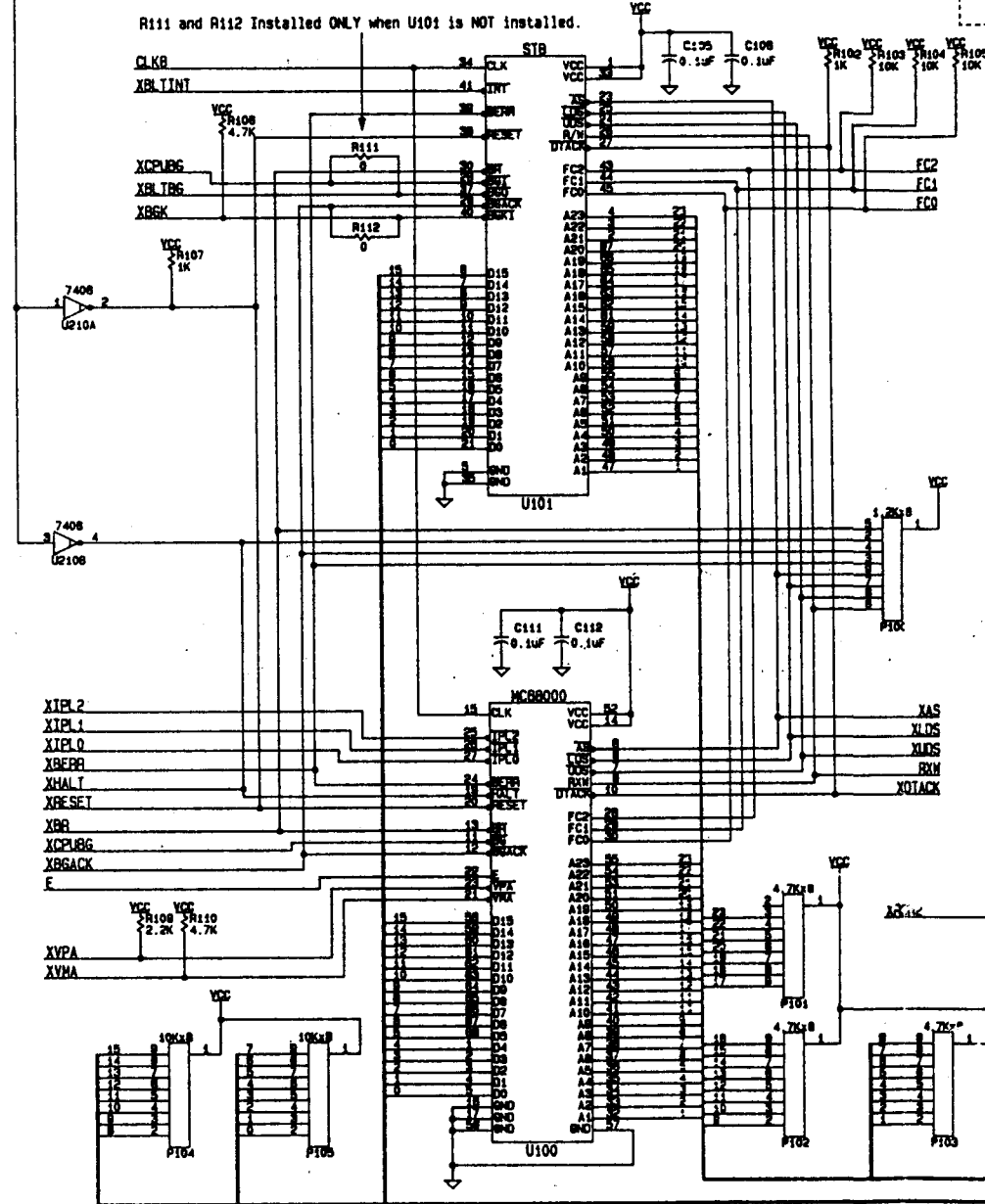


Stuffed in PAL systems only



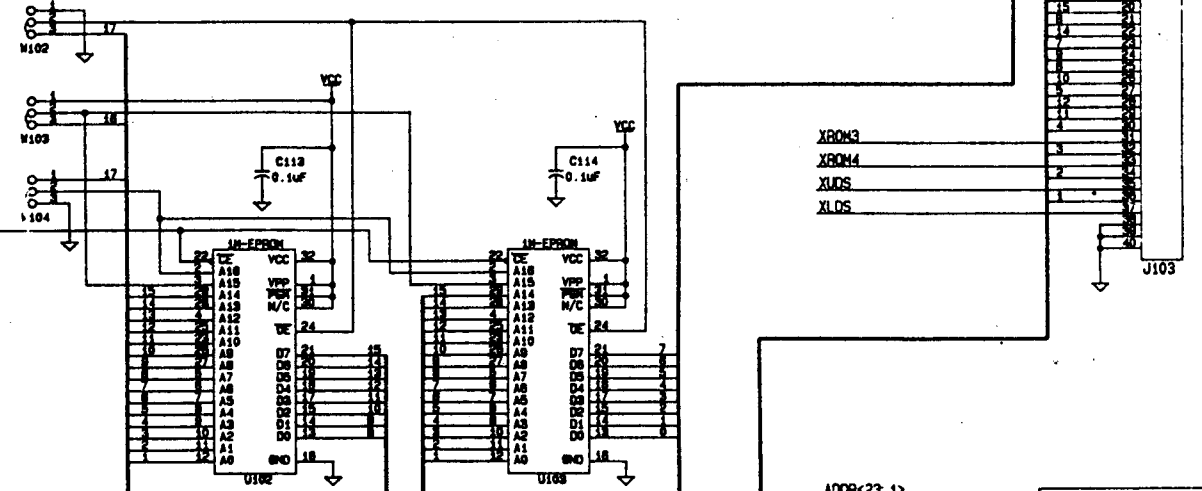
Stuffed in non-PAL systems only



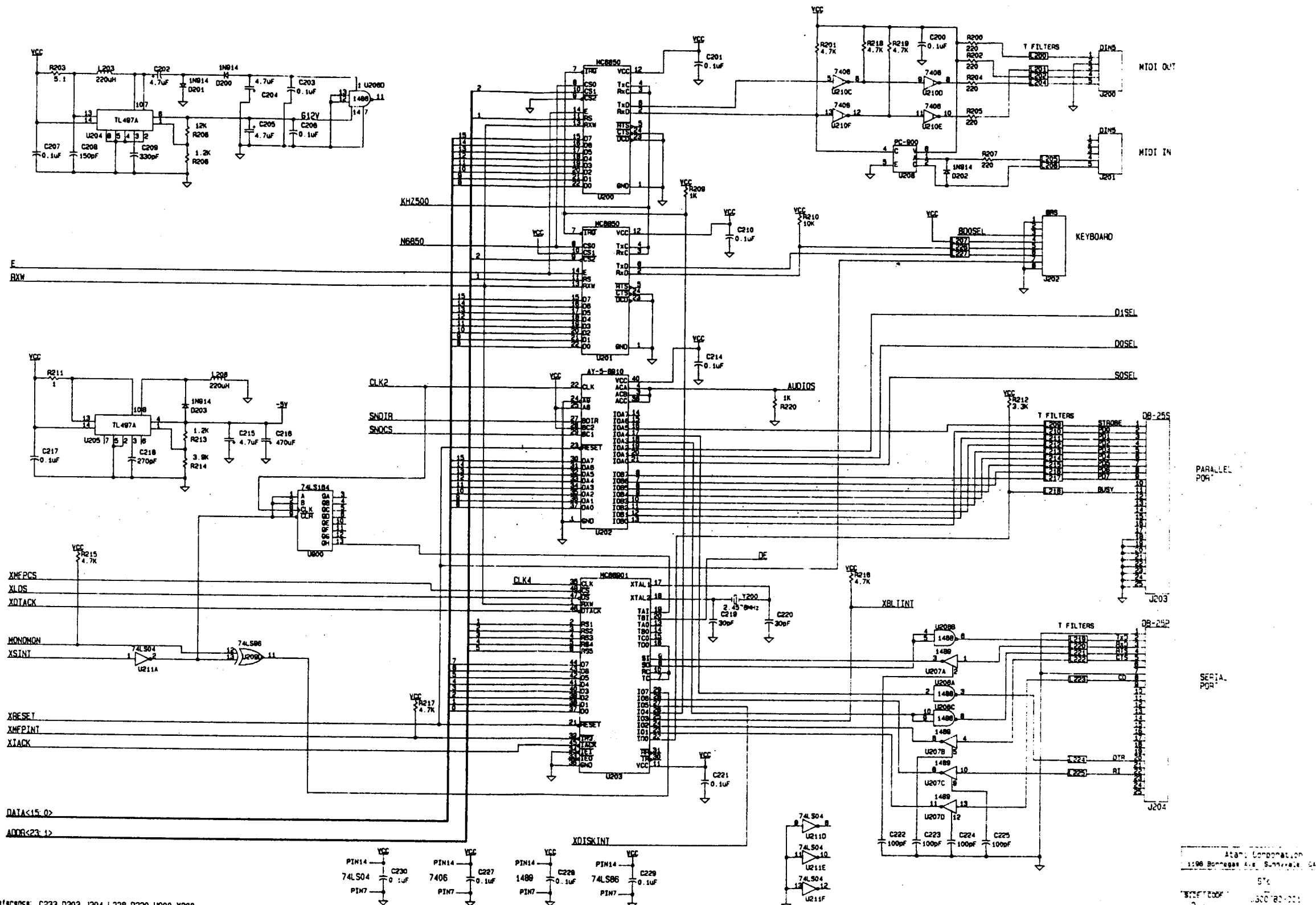
ROM jumper settings

Part Type	M102	M103	M104
27256	Don't Care	1 and 2	N/C
27512	2 and 3	2 and 3	N/C
571001/27C1000/531000	2 and 3	2 and 3	2 and 3
27010/571000/27C1001	1 and 2	2 and 3	1 and 2

Note: Jumpers are shown set for 1Mega Rom (See default settings below)

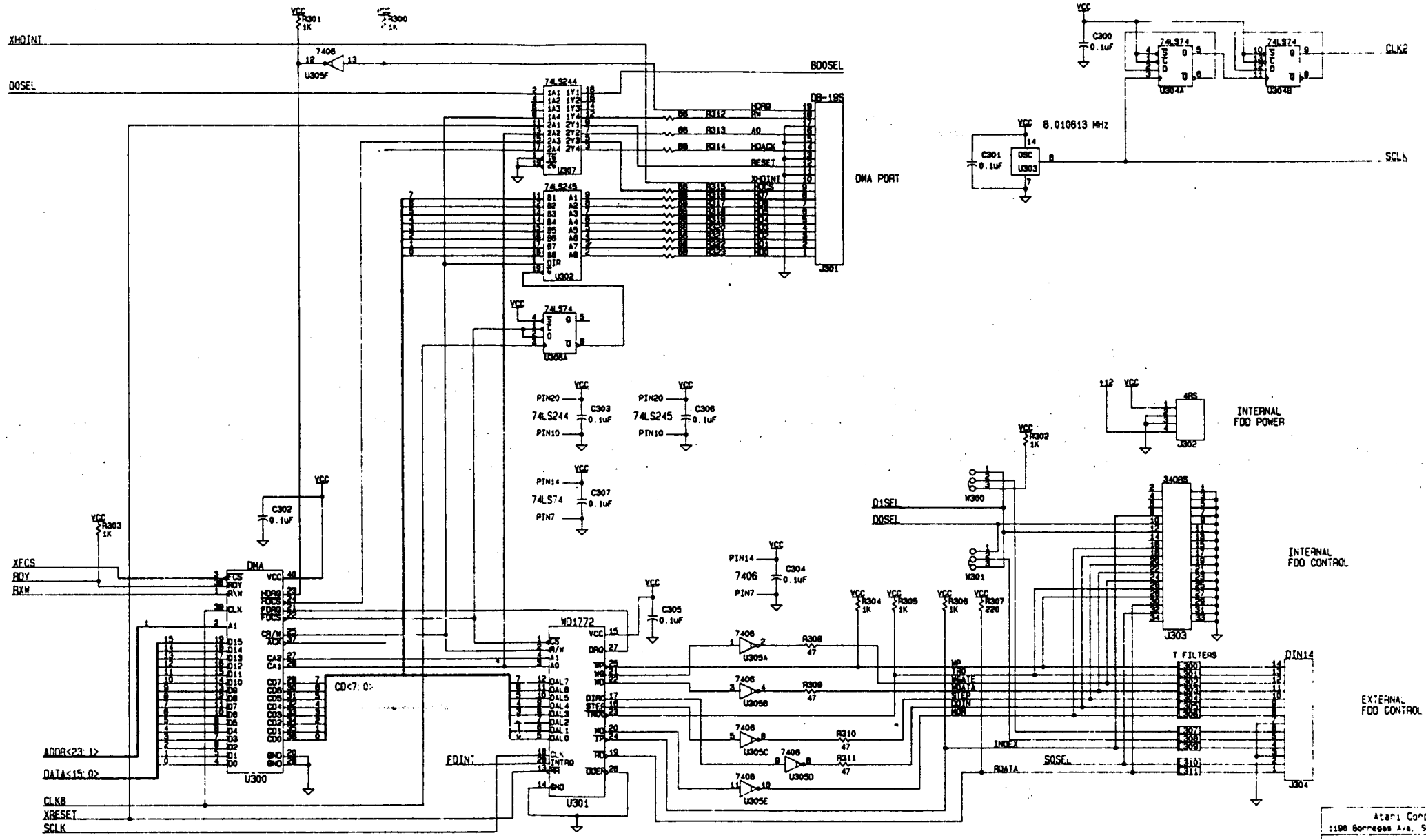


ADDR<23-12  
DATA<15-02



Atari Corporation  
 1198 Bonanza Ave. Sunnyvale, CA 94086  
 © 1980  
 ATARI CORPORATION  
 ATARI PART NO. 10000000  
 DATE 10/10/80

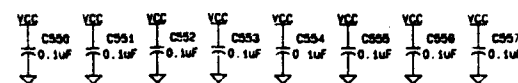
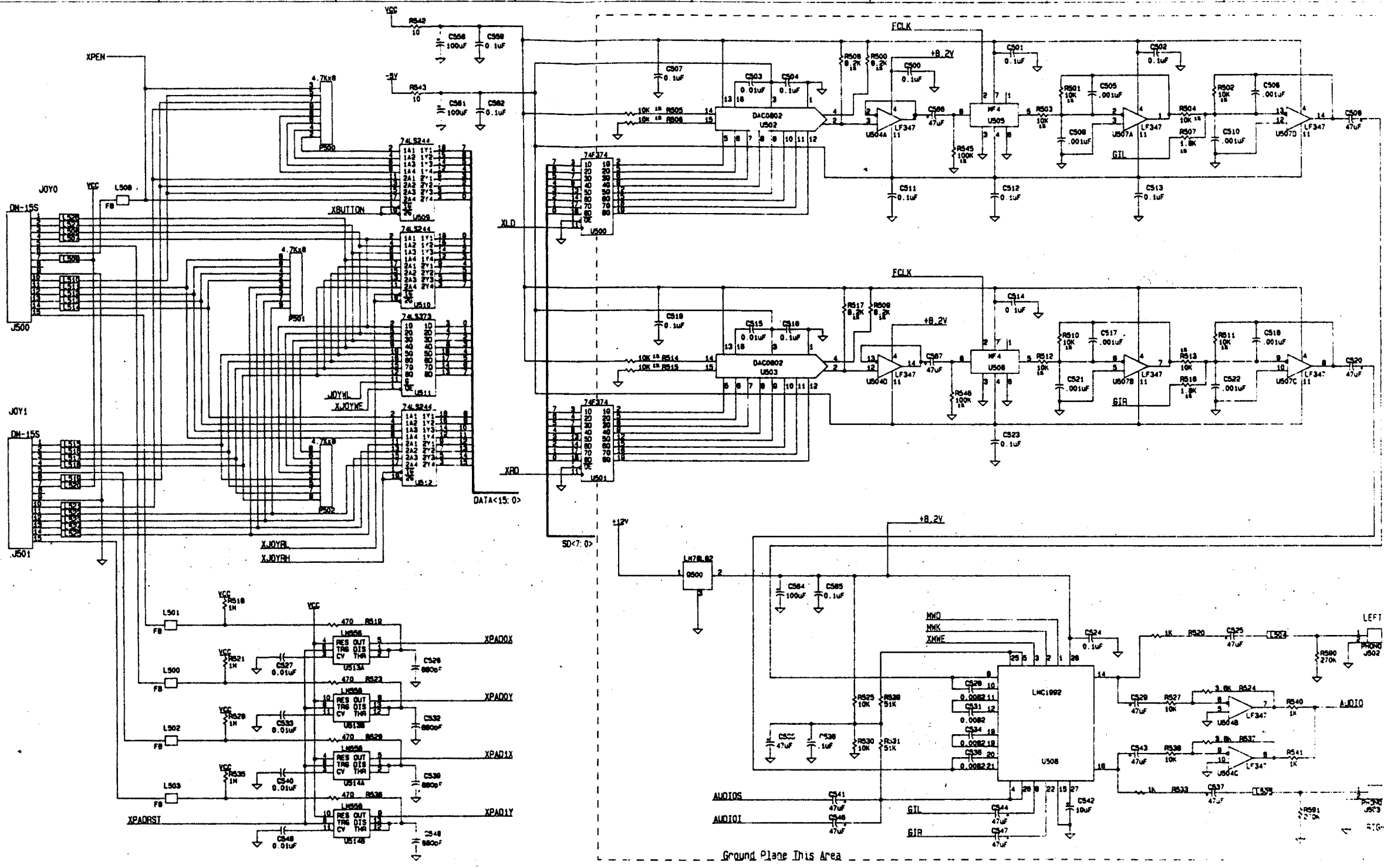
Last Reference: C233 D203 J204 L228 R220 U900 Y200



Last Reference: C312 0301 J305 L311 0301 R328 U309 W301 Y300

Atari Corporation  
 1196 Borregas Ave. Sunnyvale, CA 94086  
 S7e  
 STYLE CODE C300780-00  
 0 ENGINEER D. Penn  
 DATE October 3, 1988 SHEET 3 of 5





Ground Plane This Area

