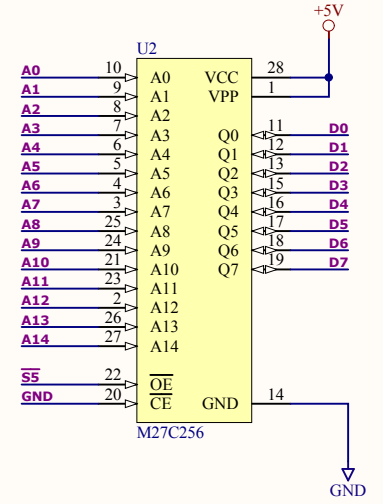


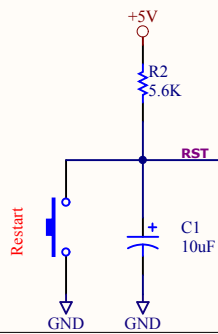
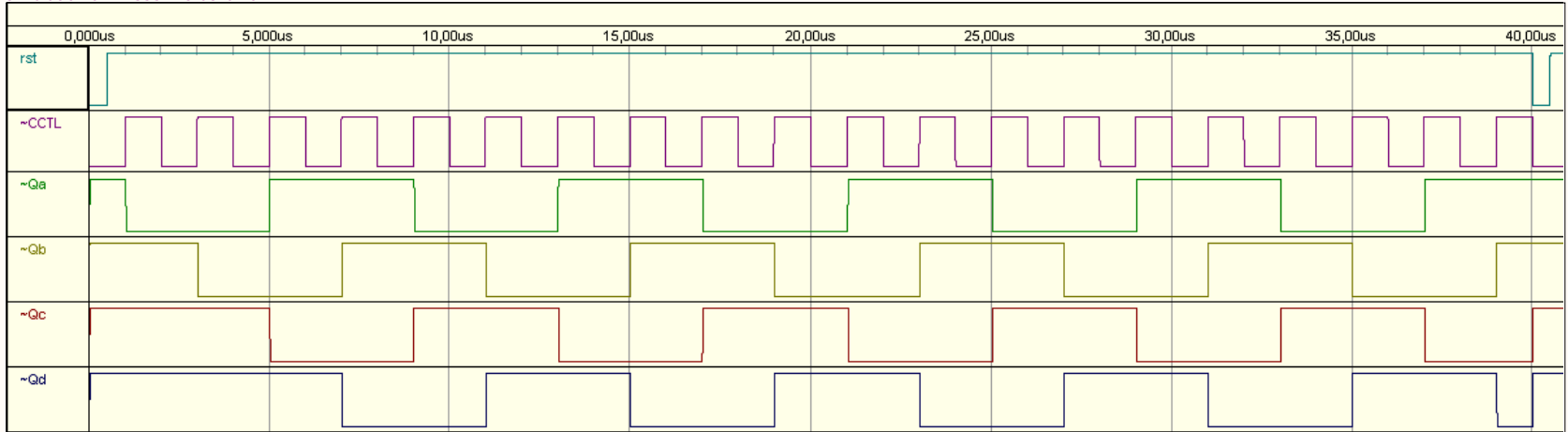
bank switching table / U1 states:

CLK#	Q4	Q3	Q2	Q1	
0	1	1	1	1	- bank #0 (init state)
1	0	1	1	1	- bank #1
2	0	0	1	1	- bank #2
3	1	0	0	1	- bank #3
4	1	1	0	0	- cartridge OFF

~Q4 --> A13
 ~Q3 --> A14
 ~Q2 --> irrelevant
 ~Q1 --> RD5/RD4



simulation of KM555TM8 behavior:



Title			
Turbo Toolbox II Cartridge			
Size	Number	Revision	
A4	(rev. eng. from real hardware)	1.0	
Date:	2019-01-02	Sheet 1 of 1	
File:	F:\[projects]\...\TurboToolbox2.SchDoc	Drawn By: Seban / Slight	